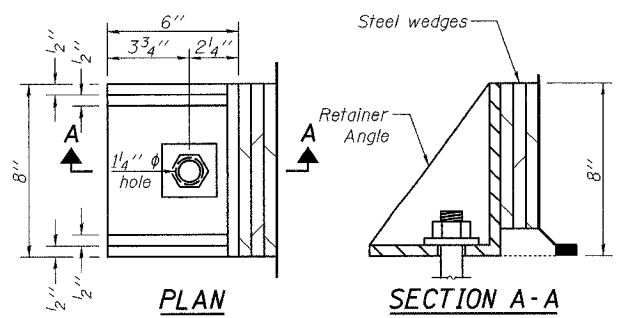
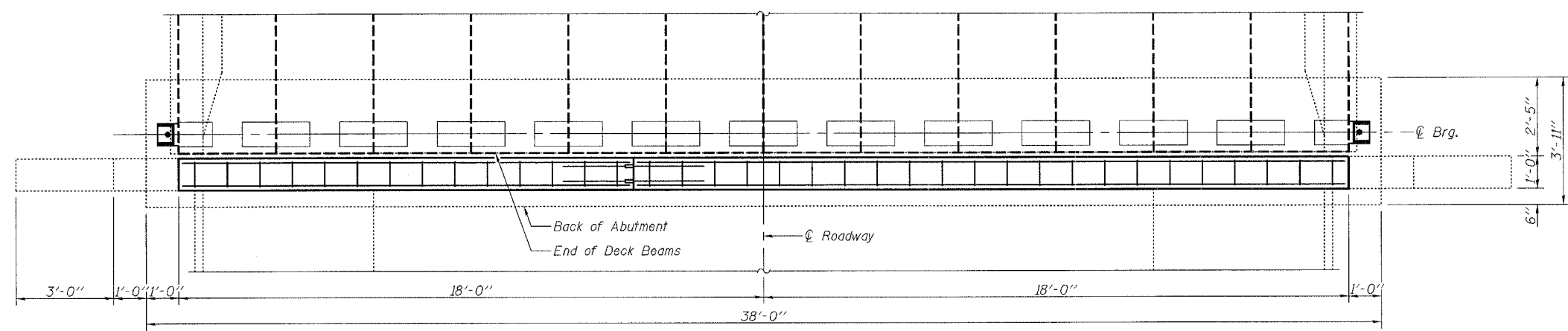
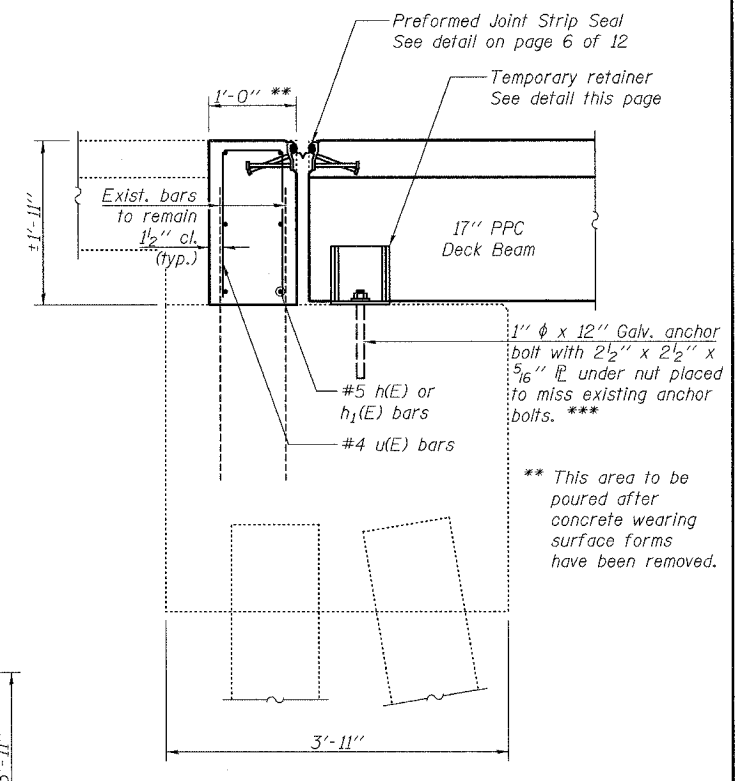
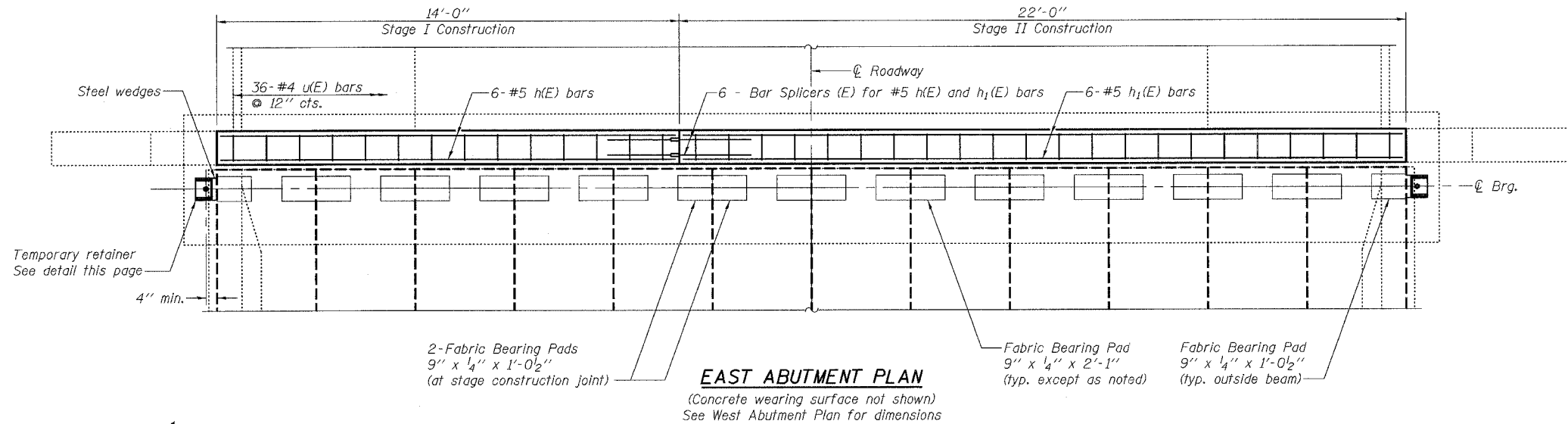


ROUTE NO.	SECTION	COUNTY	TOTAL SHEETS	SHEET NO.	SHEET NO. 8 12 SHEETS
FAS 55	*	WINNEBAGO	32	52	
FED. ROAD DIST. NO. 7	ILLINOIS	FED. AID PROJECT-			

*(102 BR-1, 102 BR-2, 102 BR-3)
Contract # 64C93

***Anchor bolts or approved threaded rod shall be placed in drilled holes and grouted in place in accordance with Article 584 of the Standard Specifications. Cost of retainer and accessories are included with Precast Prestressed Concrete Deck Beams.



WEST ABUTMENT PLAN
(Concrete wearing surface not shown)
See East Abutment Plan for reinforcement

NOTES

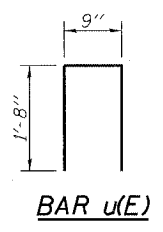
Existing Reinforcement Bars extending into the removal area shall be blast cleaned to gray metal and straightened. Blast cleaning and straightening shall be included with the cost of Removal of Existing Superstructures.

Existing reinforcement bars which have lost 25% or more of their original diameter shall be supplemented by new epoxy coated bars of the same diameter, spliced in place. Furnished and placing supplemental epoxy coated reinforcement bars shall be included with the cost of Reinforcement Bars, Epoxy Coated.

The side retainers shall be galvanized after shop fabrication according to AASHTO M111 and ASTM A 385.

Care shall be exercised by the contractor during and following removal operations to ensure that the existing rebar remaining in place are not damaged. All protruding rebar shall be cleaned, straightened, and properly positioned prior to concrete placement. Any rebar damaged during concrete removal shall be repaired or replaced using an approved Bar Splicer or Mechanical System. Cost included with the cost of Removal of Existing Superstructures.

Install side retainers at each end before grouting the shear keys. After the concrete wearing surface is poured and cured the retainer angles shall be removed. Anchor bolts may be left in place.



BILL OF MATERIAL

Bar	No.	Size	Length	Shape
h(E)	12	#5	13'-9"	—
h ₁ (E)	12	#5	21'-9"	—
u(E)	72	#4	4'-1"	□
Reinforcement Bars, Epoxy Coated		Pound		640
Bar Splicers		Each		12
Concrete Structures		Cu. Yd.		5.1

rjngroup
Excellence through Ownership

200 West Front Street
Wheaton, IL 60187

ILLINOIS DEPARTMENT OF TRANSPORTATION
ABUTMENTS
IL-70 OVER TRIBUTARY TO PECATONICA RIVER
FAS RTE 55
SECTION (102 BR-1, 102 BR-2, 102 BR-3)
WINNEBAGO COUNTY
STATION 308+27.00
STRUCTURE NO. 101-0147

DATE: 12/15/2006
DRAWN BY: LCM
CHECKED BY: BLB