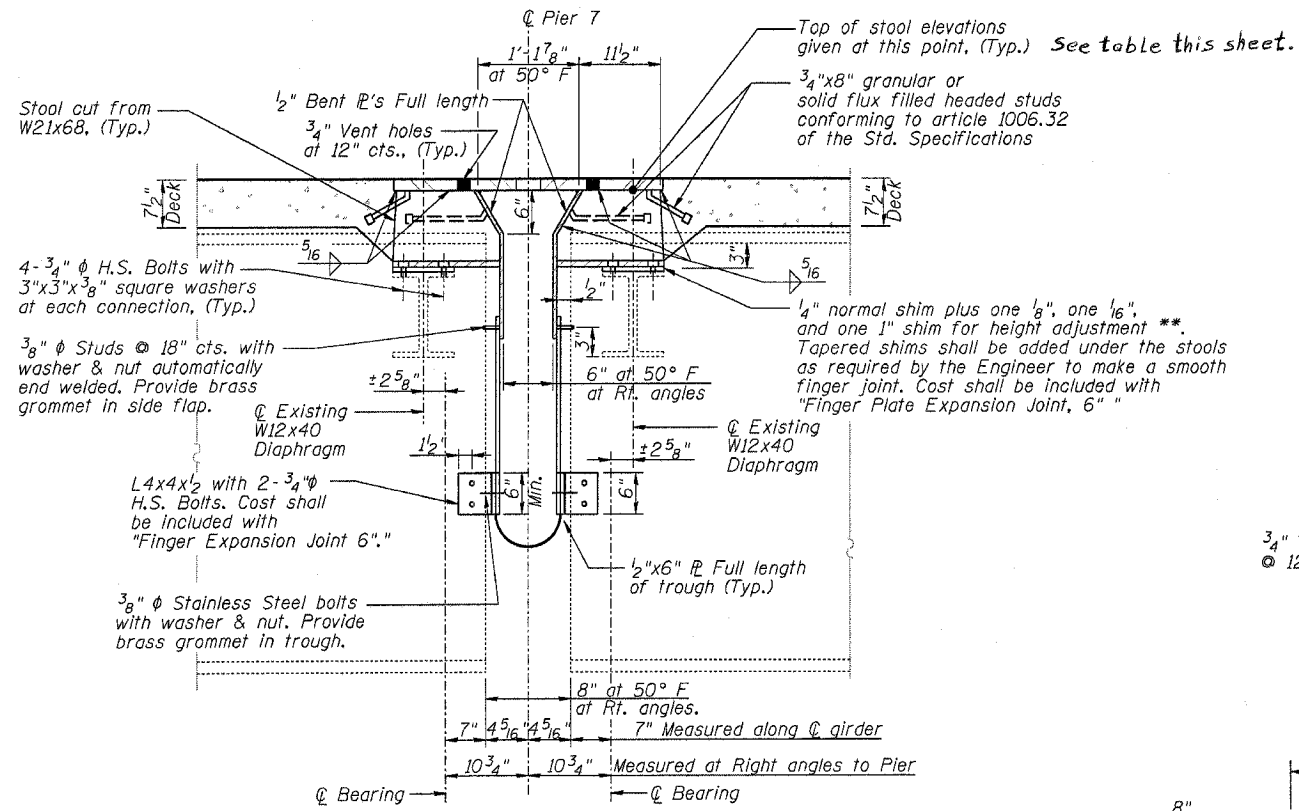
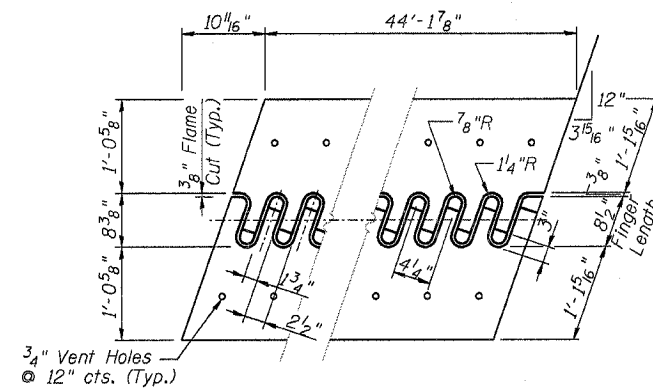


F.A.I. RTE.	SECTION	COUNTY	TOTAL SHEETS	SHEET NO.
80	(81-37-2BRIM	HENRY	14	13
STA. 299+94		TO STA. 311+81		
FED. ROAD DIST. NO. - ILLINOIS FED. AID PROJECT				

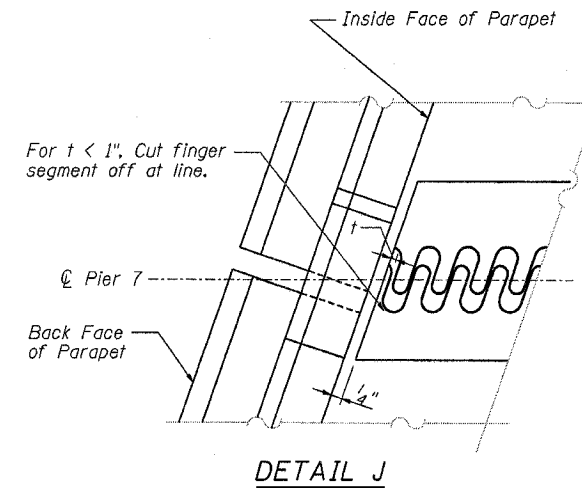


SECTION E-E

** 1" thick shims are based on field measurements. Contractor shall verify existing dimensions before ordering the finger plates.



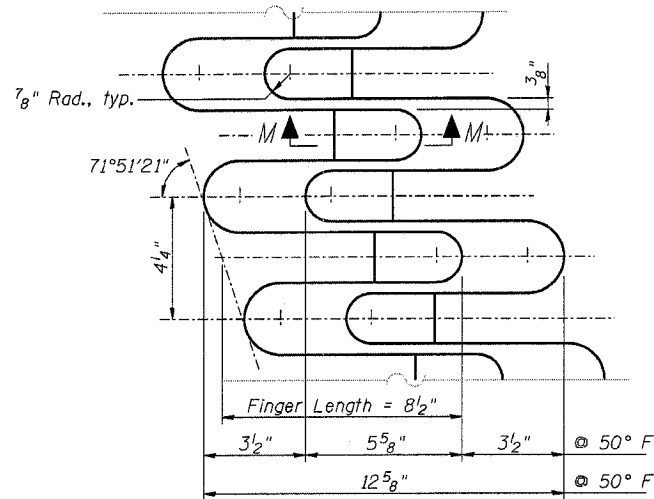
FINGER PLATE DETAIL
Cut from PL 2'4"x2'-9 1/4"x45'-0 9/16" (M270, GR 50)



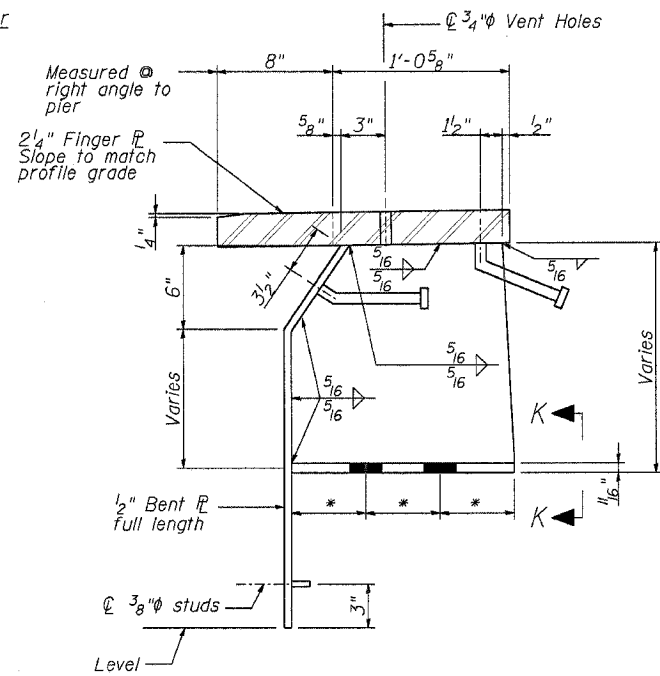
DETAIL J



DETAIL G
Stage Construction Joint



DETAIL L

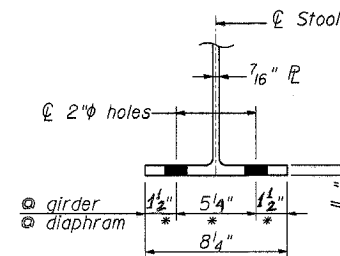


STOOL DETAIL

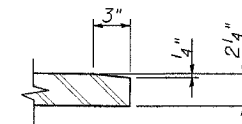
Horizontal dimensions are measured normal to back of finger plate.

* Contractor shall verify dimensions with existing hole layouts from diaphragm shop drawings and field measurements.

Holes to be spaced to miss stiffeners on girder mounted stools.



VIEW K-K



SECTION M-M

North Side of Joint			South Side of Joint		
Stool Designation	Top of Stool Elev. (Inches)	Stool Height (Inches)	Stool Designation	Top of Stool Elev. (Inches)	Stool Height (Inches)
N1	587.036	7 1/8"	S1	587.036	7 1/8"
N2	586.992	10 1/8"	S2	587.000	10 1/8"
N3	586.931	10 1/8"	S3	586.938	10 1/8"
N4	586.869	10 1/8"	S4	586.876	10 1/8"
N5	586.807	10 1/8"	S5	586.814	10 1/8"
N6	586.770	7 1/8"	S6	586.770	7 1/8"
N7	586.726	10 1/8"	S7	586.733	10 1/8"
N8	586.664	10 1/8"	S8	586.671	10 1/8"
N9	586.602	10 1/8"	S9	586.609	10 1/8"
N10	586.541	10 1/8"	S10	586.547	10 1/8"
N11	586.504	7 1/8"	S11	586.504	7 1/8"
N12	586.460	10 1/8"	S12	586.467	10 1/8"
N13	586.398	10 1/8"	S13	586.405	10 1/8"
N14	586.336	10 1/8"	S14	586.343	10 1/8"
N15	586.274	10 1/8"	S15	586.281	10 1/8"
N16	586.237	7 1/8"	S16	586.237	7 1/8"
N17	586.194	10 1/8"	S17	586.200	10 1/8"
N18	586.132	10 1/8"	S18	586.139	10 1/8"
N19	586.070	10 1/8"	S19	586.077	10 1/8"
N20	586.008	10 1/8"	S20	586.015	10 1/8"
N21	585.971	7 1/8"	S21	585.971	7 1/8"
N22	585.927	10 1/8"	S22	585.934	10 1/8"
N23	585.865	10 1/8"	S23	585.872	10 1/8"
N24	585.803	10 1/8"	S24	585.810	10 1/8"
N25	585.742	10 1/8"	S25	585.748	10 1/8"
N26	585.705	7 1/8"	S26	585.705	7 1/8"

REVISIONS	
NAME	DATE
Rev 1	1-09-07

ILLINOIS DEPARTMENT OF TRANSPORTATION
 F.A.I. ROUTE - 80
 BRIDGE OVER ROCK RIVER
 SECTION: (81-37-2BRIM)
 FINGERPLATE JOINT REPLACEMENT
 S.N. 037-0022
 JOINT DETAILS

SCALE:
DATE 12/22/06

DRAWN BY BM
CHECKED BY KW