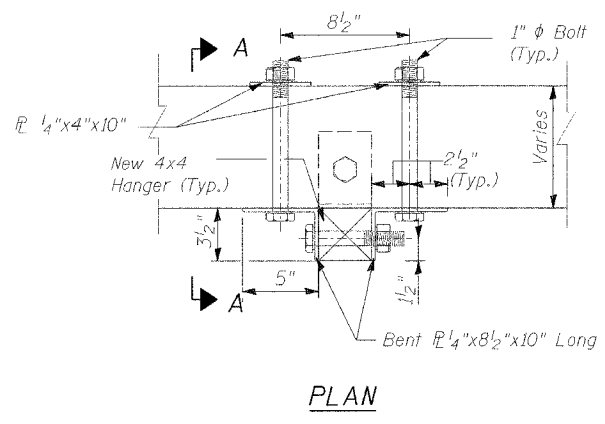
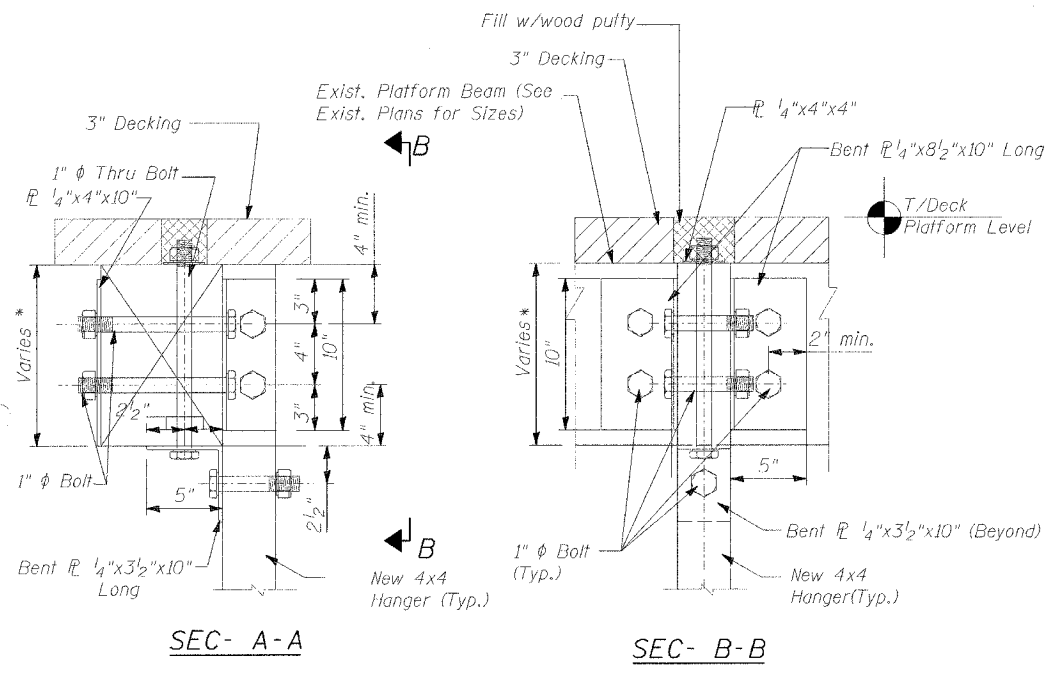
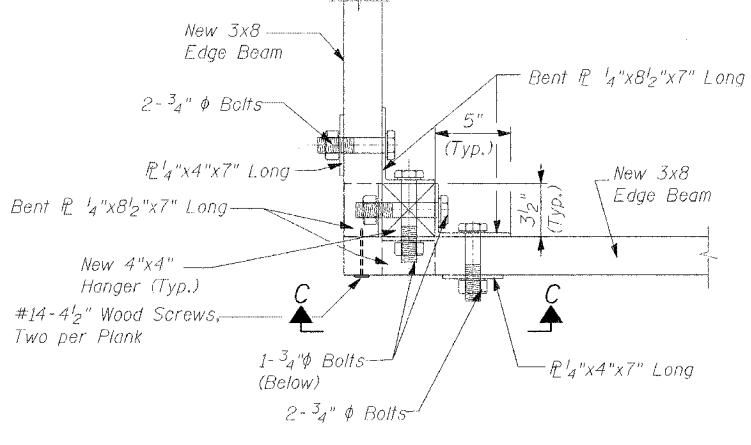
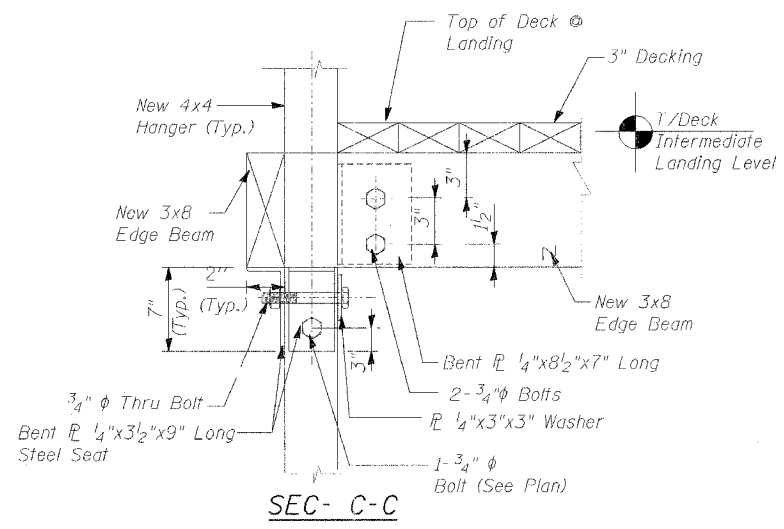


STATE OF ILLINOIS
DEPARTMENT OF TRANSPORTATION

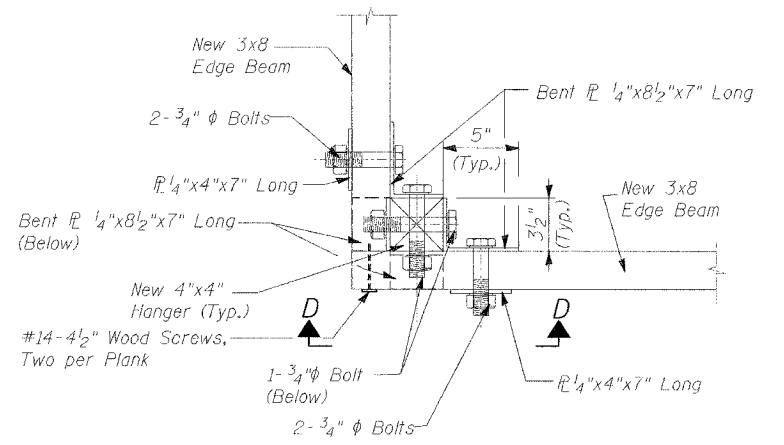
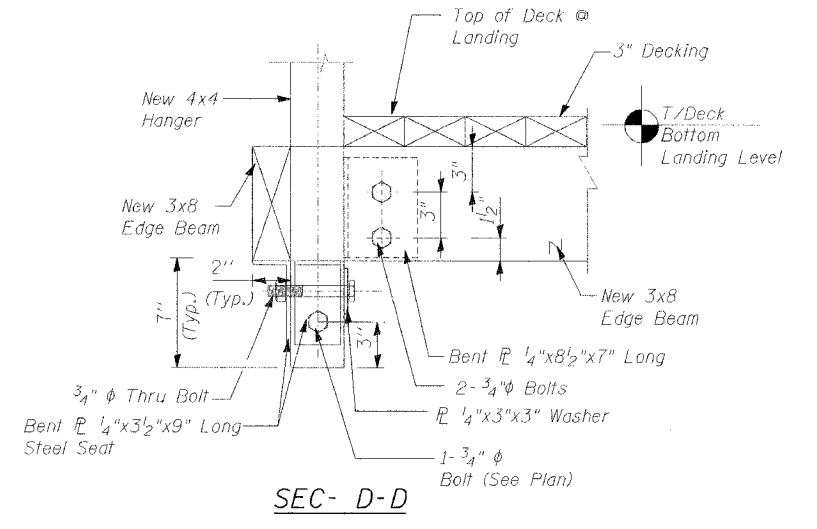
ROUTE NO.	SECTION	COUNTY	TOTAL SHEETS	SHEET NO.	SHEET NO. 06 18 SHEETS
U.S. 20	28-SO-M-1	JODAVIESS COUNTY	18	06	
FED. ROAD DIST. NO. 7	ILLINOIS	FED. AID PROJECT-	CONTRACT # 64C98		



DETAIL - 1
(HANGER CONNECTION AT TOP)
* Beam depths vary at Platform Level 1, 2 & 3.



DETAIL - 2
(HANGER CONNECTION AT INTERMEDIATE LANDING)



DETAIL - 3
(HANGER CONNECTION AT BOTTOM LANDING)

DESIGNED	I.L.
CHECKED	H.T.
DRAWN	R.A.
CHECKED	H.T./M.R.

Notes:
1. All Steel members and connections shall be Hot Dipped Galvanized.

CONNECTION DETAILS (1 OF 2)
LONGHOLLOW SCENIC OVERLOOK REST AREA
TOWER REPAIRS
FAP RT. 301 (U.S. RT. 20), SECTION 28-SO-M-1
JODAVIESS COUNTY

SCALE: NONE DATE: DECEMBER, 2006
Soodan & Associates, Inc.
100 North LaSalle Street, Suite 1800
Chicago, Illinois 60602