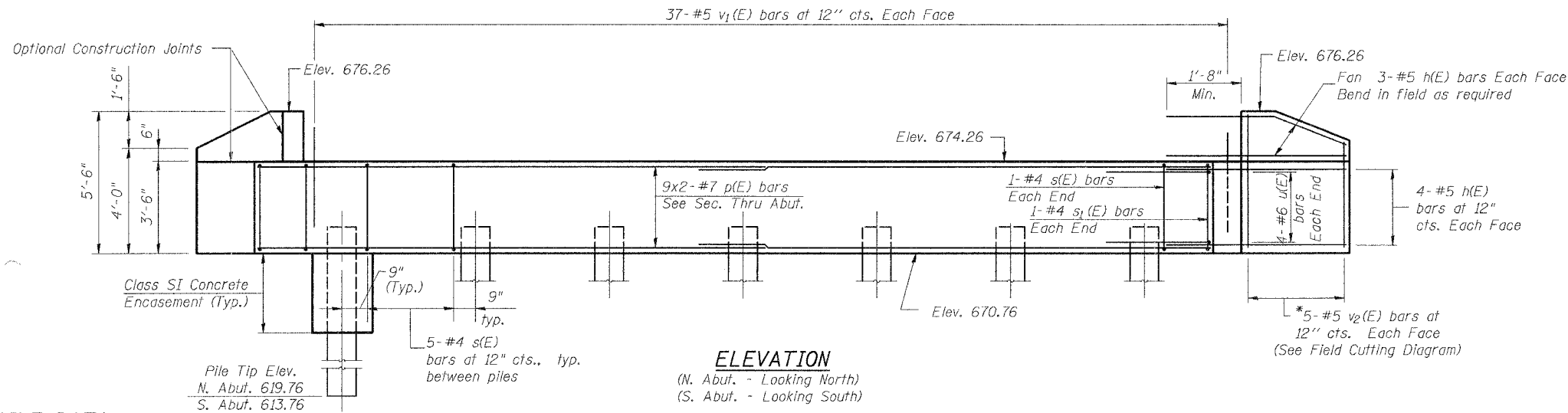


STATE OF ILLINOIS
DEPARTMENT OF TRANSPORTATION

ROUTE NO.	SECTION	COUNTY	TOTAL SHEETS	SHEET NO.
U.S. 45	34 BR-1	IROQUOIS COUNTY	37	17
FED. ROAD DIST. NO. 7	ILLINOIS	FED. AID PROJECT-		

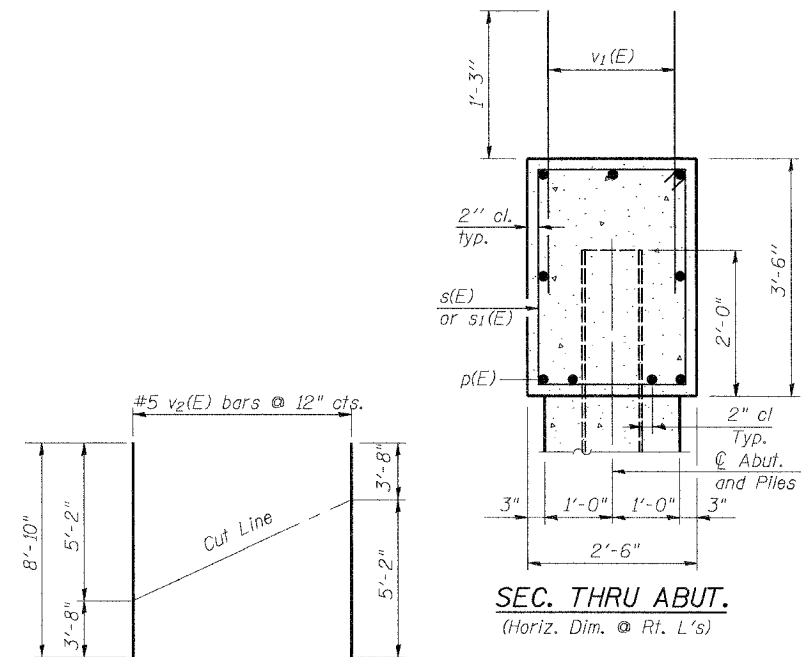
CONTRACT # 66411

SHEET NO. 5
8 SHEETS



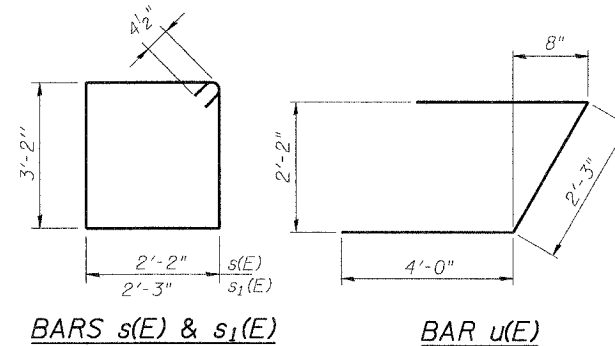
PILE DATA

Type : HP12x53
Nominal Required Bearing : 270 kips
Allowable Resistance Available: 90 kips
Est. Length: 53' (N. Abut.), 59' (S. Abut.)
No. Required: 6+1 Test Pile (N. Abut.)
6+1 Test Pile (S. Abut.)



FIELD CUTTING DIAGRAM

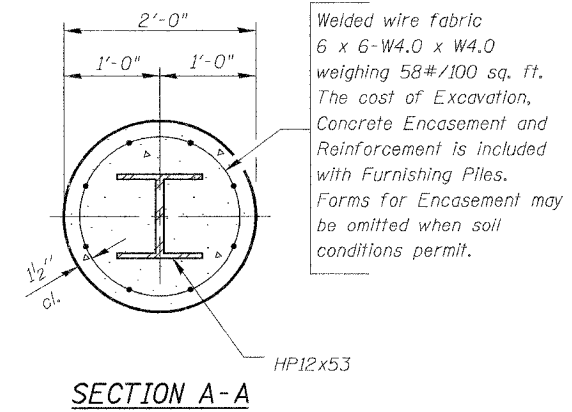
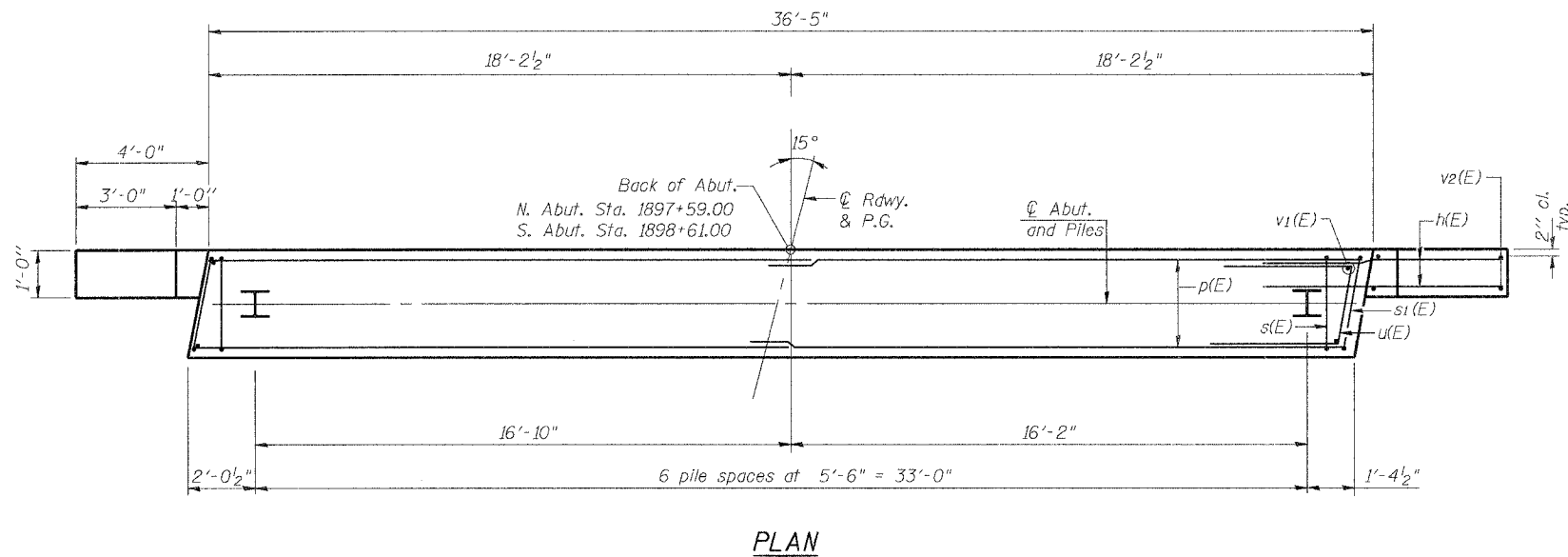
*Order v2(E) full length. Cut as shown and use remainder of bars in opposite face.



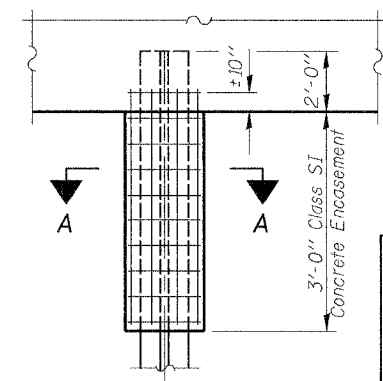
**TWO ABUTMENTS
BILL OF MATERIAL**

Bar	No.	Size	Length	Shape
h(E)	56	#5	5'-8"	—
p(E)	36	#7	19'-6"	—
s(E)	64	#4	11'-5"	□
s1(E)	4	#4	11'-7"	□
u(E)	16	#7	10'-3"	┌
v1(E)	148	#5	3'-8"	—
v2(E)	20	#5	8'-10"	—

ITEM	UNIT	QUANTITY
Concrete Structures	Cu. Yd.	26.5
Reinforcement Bars, Epoxy Coated	Pound	3,370
Structure Excavation	Cu. Yd.	49.2
Furnishing Steel Piles HP 12 x 53	Foot	672
Driving Piles	Foot	672
Test Pile Steel HP 12 x 53	Each	2
Geocomposite Wall Drain	Sq. Yd.	31
Pipe Underdrains For Structures 4"	Foot	125



Welded wire fabric 6 x 6-W4.0 x W4.0 weighing 58#/100 sq. ft. The cost of Excavation, Concrete Encasement and Reinforcement is included with Furnishing Piles. Forms for Encasement may be omitted when soil conditions permit.



MIN. BAR LAP

- #5 = 1'-8"
- #6 = 2'-0"
- #7 = 2'-8"
- #8 = 3'-5"

DESIGNED	M.R./R.A.
CHECKED	H.T.
DRAWN	J.S.
CHECKED	H.T./M.R.

ABUTMENT PLAN, ELEVATION & DETAILS

U.S. 45 OVER LOUIS CREEK
FAS ROUTE 338 (U.S. 45), SECTION 34 BR-1
IROQUOIS COUNTY
STATION 1898+10.00
STRUCTURE NO. 038-0212

SCALE: NONE DATE: OCTOBER, 2006

Soodan
Soodan & Associates, Inc.
100 North LaSalle Street, Suite 1800
Chicago, Illinois 60602