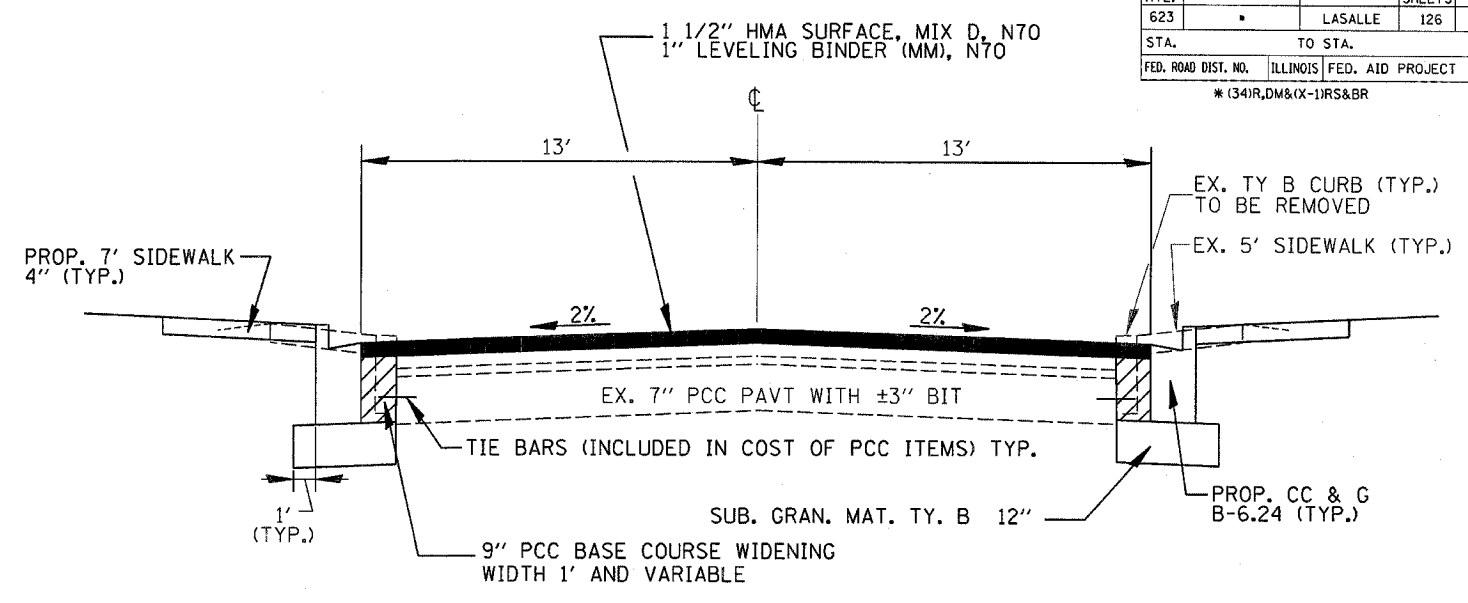
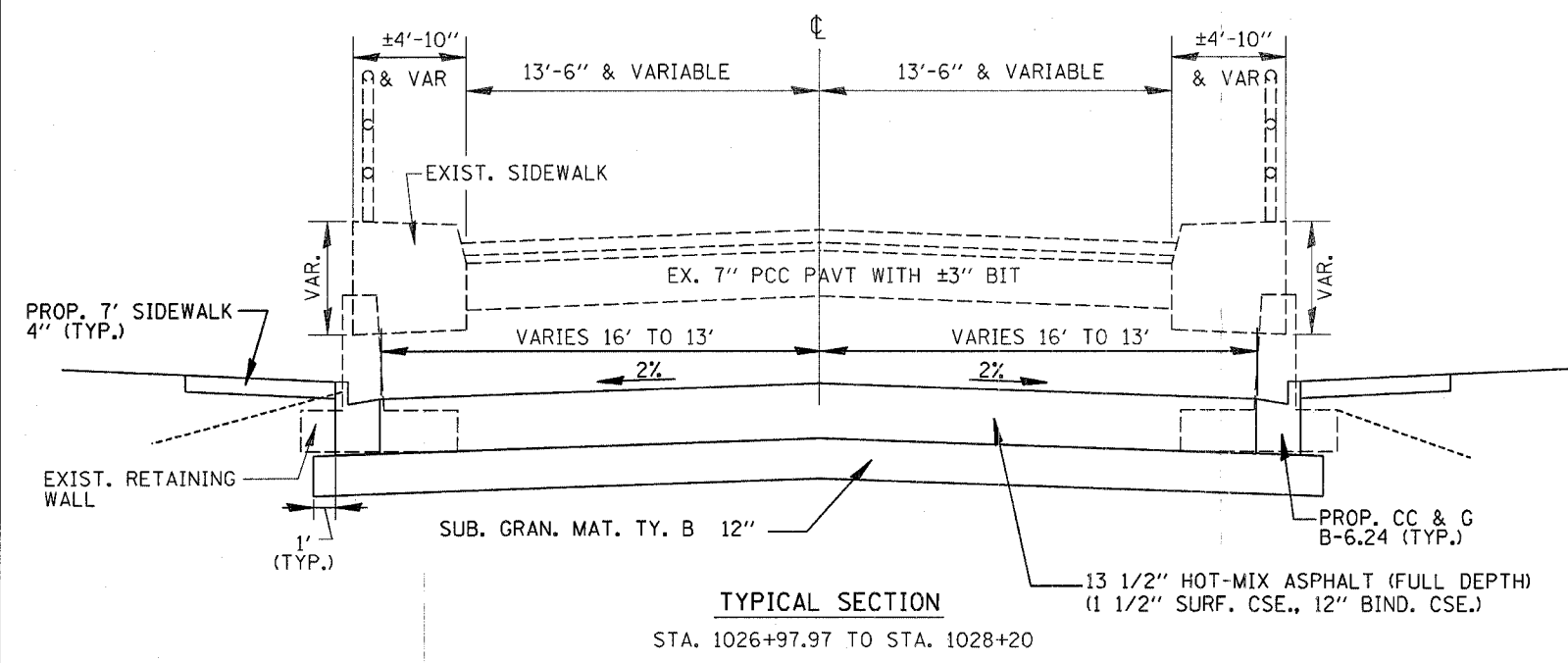
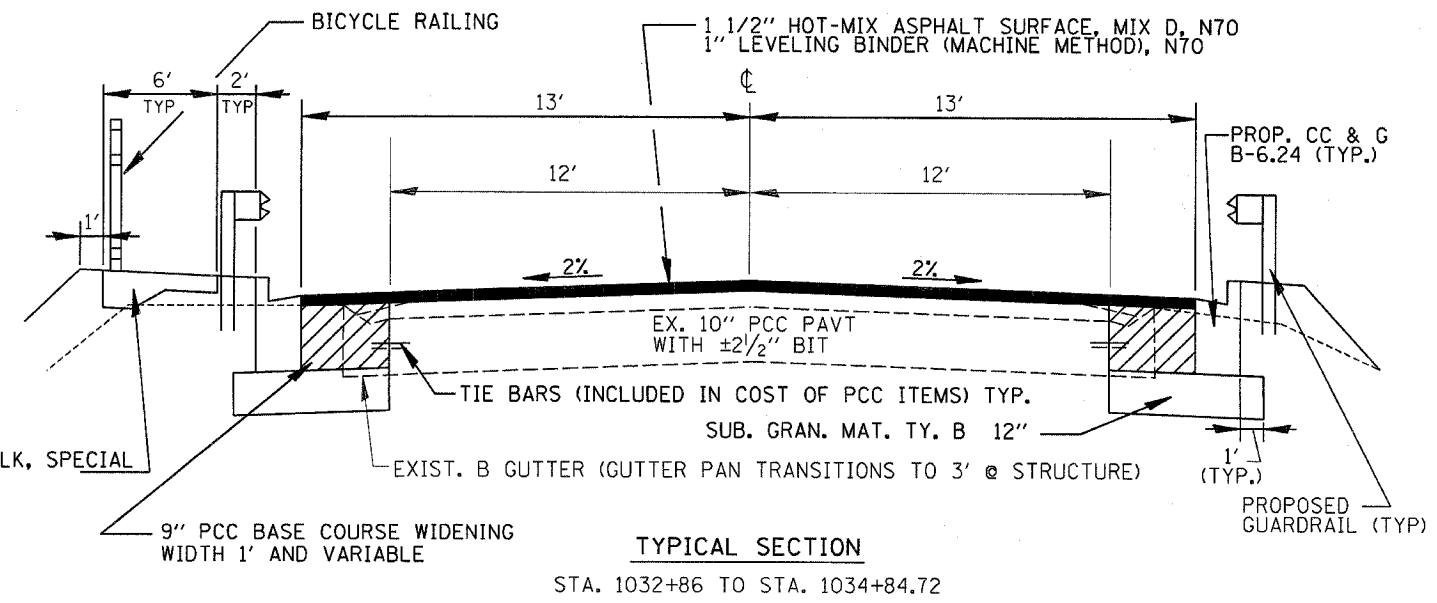
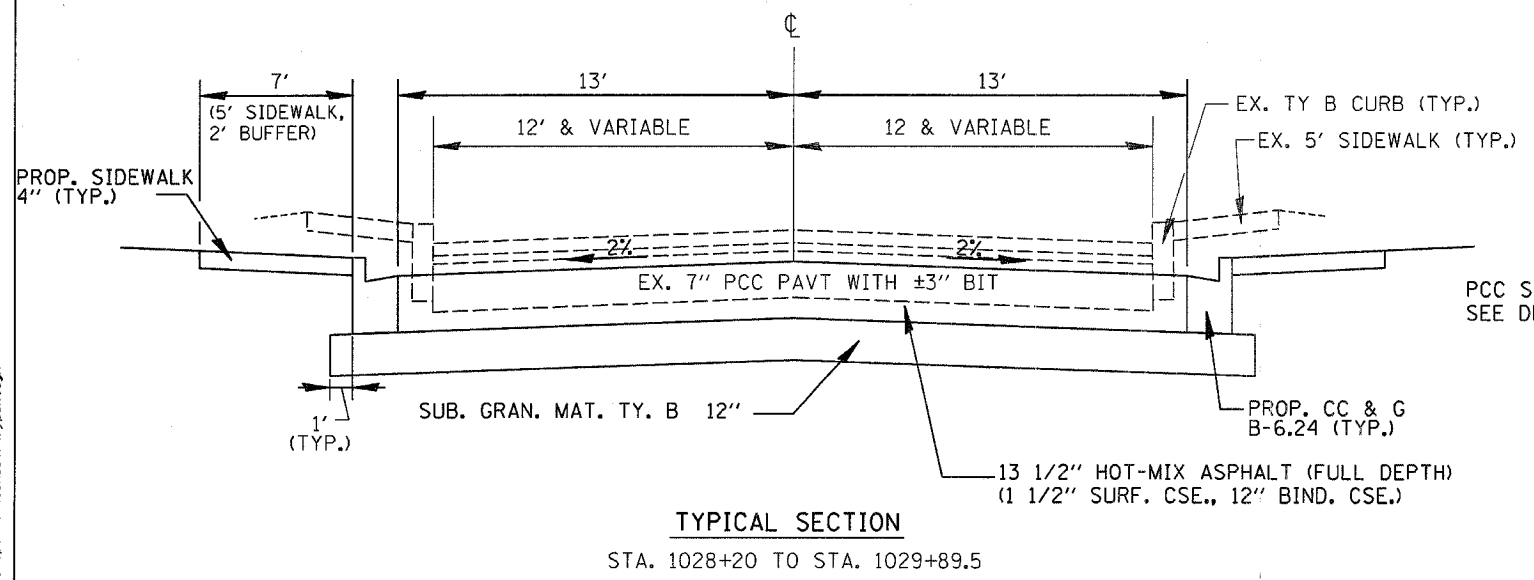


F.A.P. RTE.	SECTION	COUNTY	TOTAL SHEETS	SHEET NO.
623		LASALLE	126	10
STA.		TO STA.		
FED. ROAD DIST. NO.		ILLINOIS FED. AID PROJECT		
* (34)R,DM&IX-1RS&BR				



**NOTES:**  
SEE STANDARD SPECIFICATIONS FOR POURING BASE COURSE MONOLITHICALLY WITH CURB AND GUTTER  
TIE BARS PER STD. 606001  
ADDITIONAL TIE BARS AS DIRECTED BY THE ENGINEER SHALL BE INCLUDED IN THE COST THE PCC ITEMS  
FROM STA. 1029+89.5 TO 1034+84.72 USE HMA SURF REM (VAR DEPTH) TO OBTAIN A MINIMUM 2 1/2" OVERLAY THICKNESS AT LOCATIONS DIRECTED BY THE ENGINEER



REVISIONS	
NAME	DATE

ILLINOIS DEPARTMENT OF TRANSPORTATION  
**TYPICAL SECTIONS**  
SCALE: VERT. HORIZ.  
DATE  
DRAWN BY  
CHECKED BY

12/18/2006 10:32:37 AM  
c:\projects\990170\corru11\ypax.dgn