

STATE OF ILLINOIS
DEPARTMENT OF TRANSPORTATION

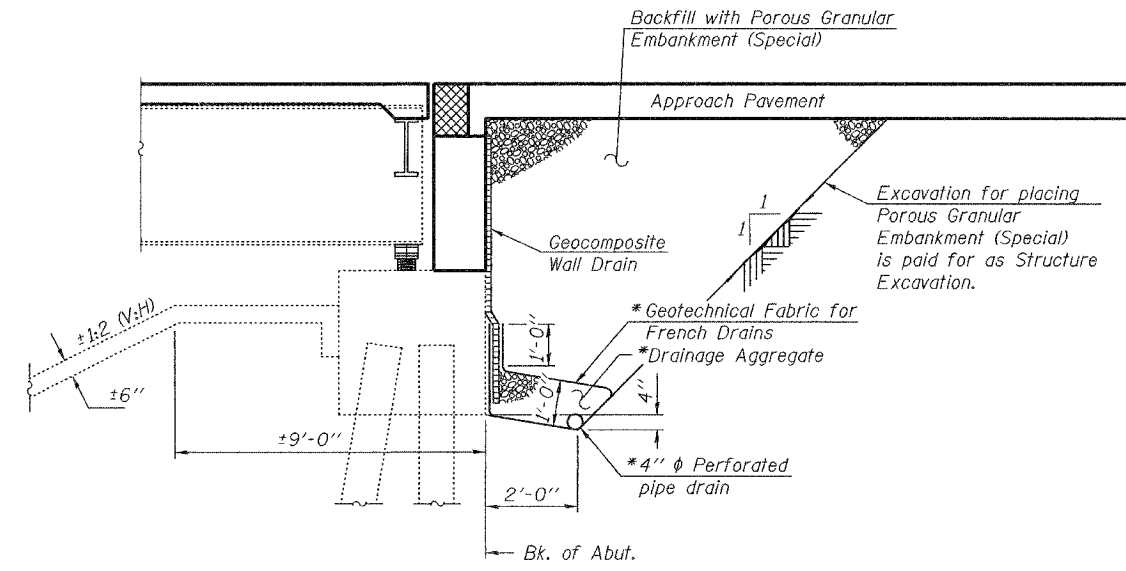
ROUTE NO.	SECTION	COUNTY	TOTAL SHEETS	SHEET	SHEET NO. 2
FAP 623	X-IBR	LaSalle	126	57	41 SHEETS
FED. ROAD DIST. NO. 7	ILLINOIS	FED. AID PROJECT	Contract #66617		

TOTAL BILL OF MATERIAL

ITEM	UNIT	SUPER	SUB	TOTAL
Porous Granular Embankment (Special)	Cu. Yd.		173	173
Concrete Removal	Cu. Yd.		61.2	61.2
Removal of Existing Concrete Deck	Each	1		
Structure Excavation	Cu. Yd.		309	309
Concrete Structures	Cu. Yd.		70.2	70.2
Concrete Superstructure	Cu. Yd.	356.3		356.3
Bridge Deck Grooving	Sq. Yd.	930		930
Protective Coat	Sq. Yd.	1210		1210
Elastomeric Bearing Assembly, Type I	Each	6		6
Elastomeric Bearing Assembly, Type II	Each	6		6
Structural Repair of Concrete (Depth equal to or less than 5')	Sq. Ft.		88	88
Furnishing and Erecting Structural Steel	L. Sum	1		1
Stud Shear Connectors	Each	3984		3984
Jack and Remove Existing Bearings	Each	10		10
Structural Steel Removal	Pound	3460		3460
Reinforcement Bars, Epoxy Coated	Pound	95,000	7,570	102,570
Driving Piles	Foot		325	325
Temporary Sheet Piling	Sq. Ft.		531	531
Name Plates	Each	1		1
Concrete Sealer	Sq. Ft.		24	24
Epoxy Crack Injection	Foot		28	28
Preformed Joint Strip Seal	Foot	38		38
Drainage Scuppers, DS-11	Each	2		2
Bar Splicers	Each	1771	28	1799
Bicycle Railing	Foot	289		289
Furnishing Steel Piles HP12x53	Foot		325	325
Pipe Underdrains for Structures 4"	Foot		80	80
Temporary Shoring and Cribbing	Each	2		2
Utility Attachment	L. Sum	1		1
Neoprene Expansion Joint 2 1/2"	Foot	38		38
Floor Drains	Each	10		10
Geocomposite Wall Drain	Sq. Yd.		66	66
Slopedwall 6"	Sq. Yd.		142	142
Slopedwall Slurry Pumping	Cu. Yd.		0.8	0.8
Test Pile Steel HP12x53	Each		1	1
Anchor Bolts 1"	Each	60		60
Concrete Encasement	Cu. Yd.		3.2	3.2
Parapet Railing	Foot	289		289
Cleaning and Painting Steel Bridge	L. Sum	1		1
Containment and Disposal of Lead Paint Cleaning Residues	L. Sum	1		1
BRIDGE CLEANING & PAINTING WARRANTY NO. 1	L. SUM	0.5	0.5	1

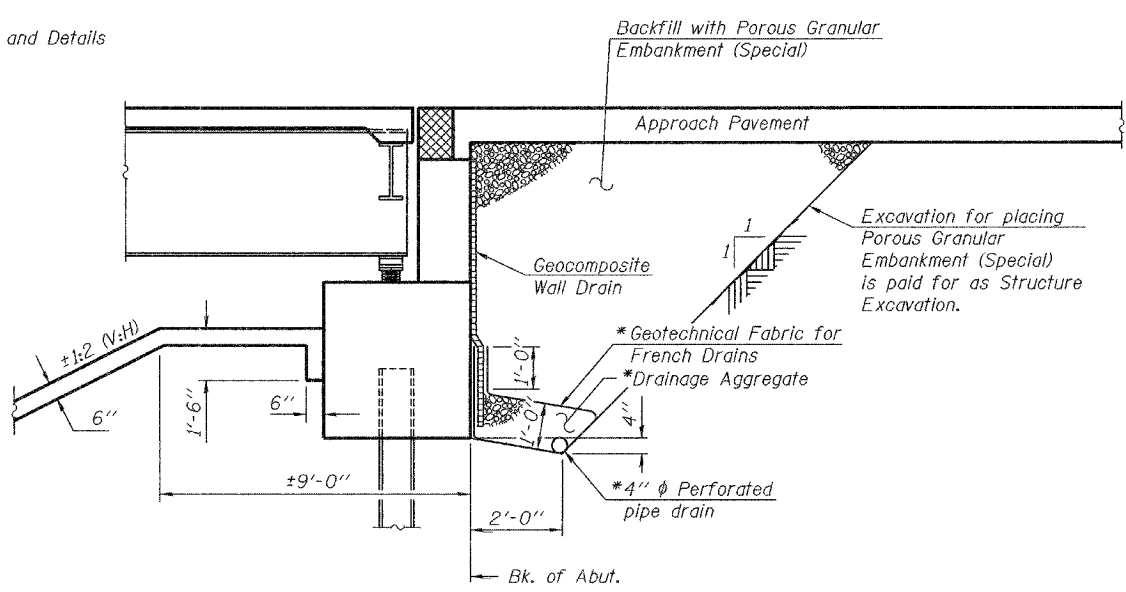
INDEX OF SHEETS

1. General Plan and Elevation
2. General Details
3. Stage Construction Details
4. Temporary Concrete Barrier
- 5.-6. Top of Slab Elevations
7. Superstructure
- 8.-9. Bridge Approach Pavement (Special) - Pavement Details
10. Parapet Elevation
- 11.-12. Superstructure Details
13. Continuous Seal Type Neoprene Expansion Joint Details
14. Preformed Joint Strip Seal
15. This sheet intentionally left blank
16. Drainage Scupper DS-11
17. Bicycle Railing
18. Bicycle Railing Details
19. Structural Steel
- 20.-22. Structural Steel Details
23. West Abutment Bearing Details
24. East Abutment Bearing Details & Jack and Remove Existing Bearing Details
25. Bearing Details at Piers 1 & 2
26. Anchor Bolt Details
- 27.-28. Concrete Removal at Abutments
29. Concrete Repair and Removal at Piers
30. West Abutment
31. West Abutment Details
32. East Abutment
33. East Abutment Details
34. North Wingwall Details
35. South Wingwall Details
36. Piers
- 37.-38. Bar Splicer Details
39. Sanitary Sewer Pipe Supports and Details
- 40.-41. Boring Logs



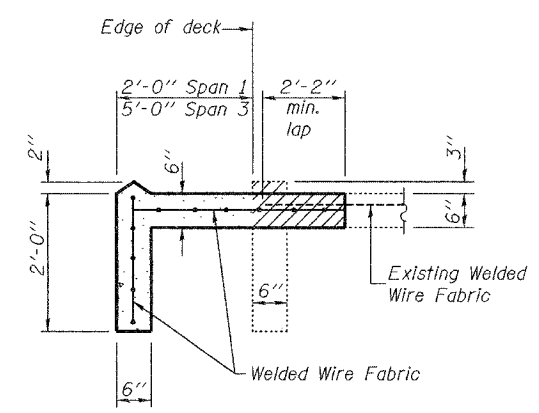
SECTION THRU EXISTING ABUTMENT
(Horiz. dim. @ Rt. L's)

*Included in the cost of Pipe Underdrains for Structures 4".



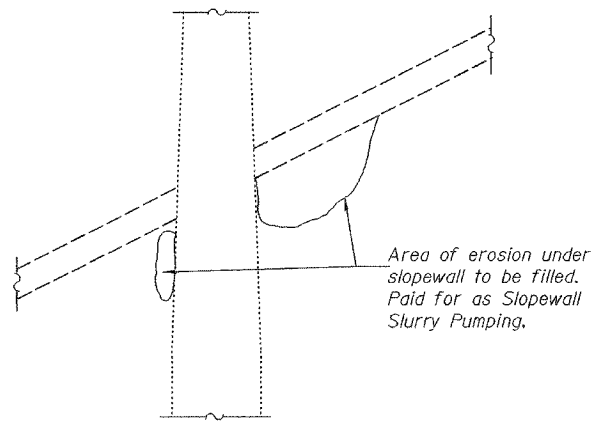
SECTION THRU ABUTMENT EXTENSION
(Horiz. dim. @ Rt. L's)

*Included in the cost of Pipe Underdrains for Structures 4".

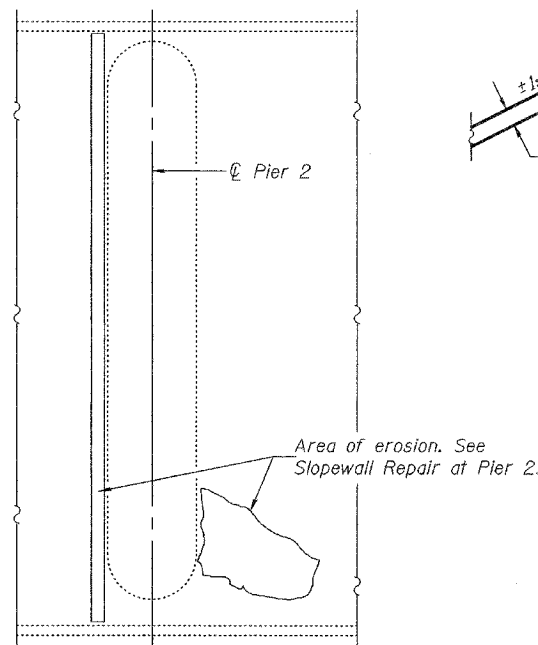


SECTION A-A

Portions of the existing slopedwall to be removed and replaced with new slopedwall. Lap new and existing welded wire fabric. Cost included with Slopedwall 6"



SLOPEWALL REPAIR AT PIER 2



PLAN
(New slopedwall not shown)

DESIGNED	F.T.
CHECKED	S.M.R.
DRAWN	BECKY M. LEACH
CHECKED	F.T./S.M.R.

February 1, 2007
EXAMINED *Thomas J. Domagalick*
PASSED *Ralph E. Anderson*
ENGINEER OF BRIDGES AND STRUCTURES

Notes:
All drainage system components shall extend parallel to the abutment back wall until they intersect the wing walls. The pipe shall extend under the wingwall until intersecting the side slopes. The pipes shall drain into concrete headwalls. (See Article 601.05 of the Standard Specifications and Highway Standard G01101).
Slopedwall shall be reinforced with welded wire fabric, 6" x 6" - W4.0 x W4.0, weighing 58 lbs. per 100 sq. ft.

GENERAL DETAILS
F.A.P. ROUTE 623 - SECTION X-IBR
LaSALLE COUNTY
STATION 1036+60.72
STRUCTURE NO. 050-0094