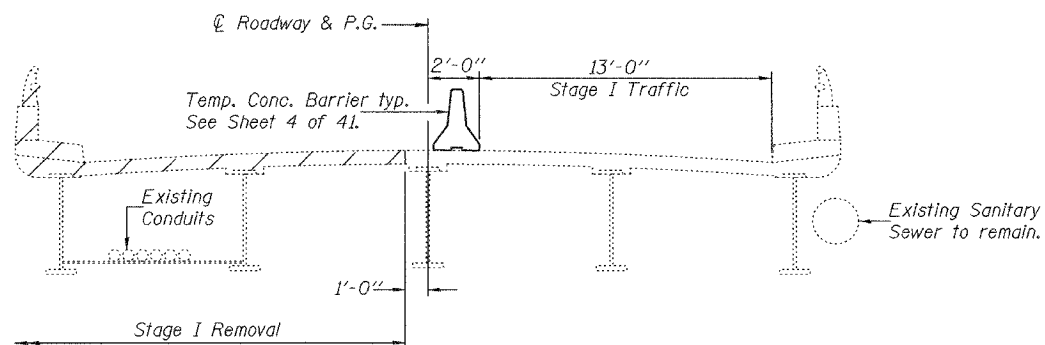


STATE OF ILLINOIS
DEPARTMENT OF TRANSPORTATION

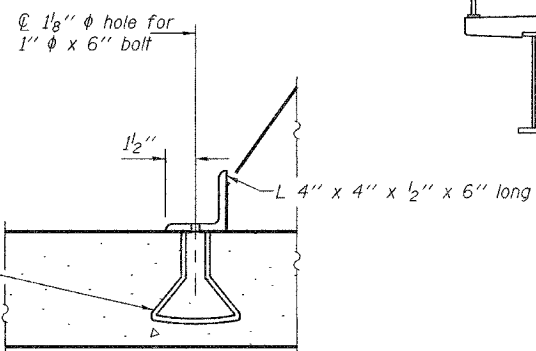
ROUTE NO.	SECTION	COUNTY	TOTAL SHEETS	SHEET NO.
FAP 623	X-IBR	LaSalle	126	53
FED. ROAD DIST. NO. 7	ILLINOIS	FED. AID PROJECT		

SHEET NO. 3
41 SHEETS

Contract #66617



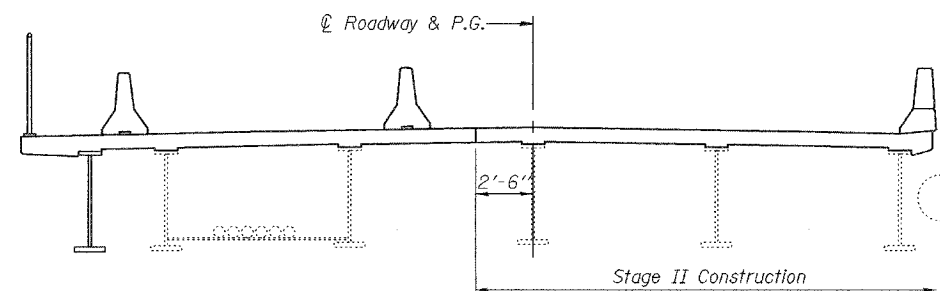
STAGE I REMOVAL



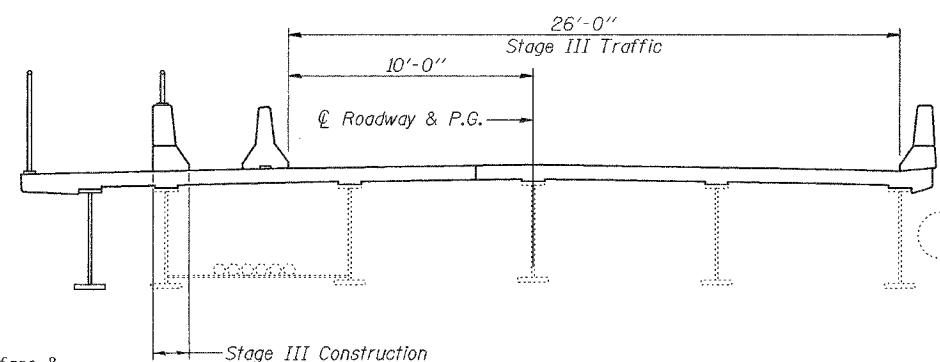
DETAIL A

Single flared coil loop insert (cast in deck) for 1" ϕ x 6" bolt. Inserts shall be galvanized according to AASHTO M232. After removal of the bolts, inserts shall be filled with non-shrink grout.

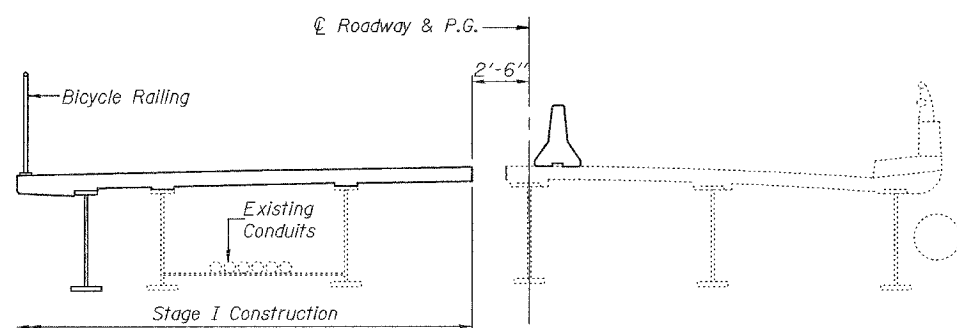
Inserts, bolts and angles shall be at 4'-0" cts. along full length of Temporary Concrete Barrier over full length of bridge (non-traffic side only).



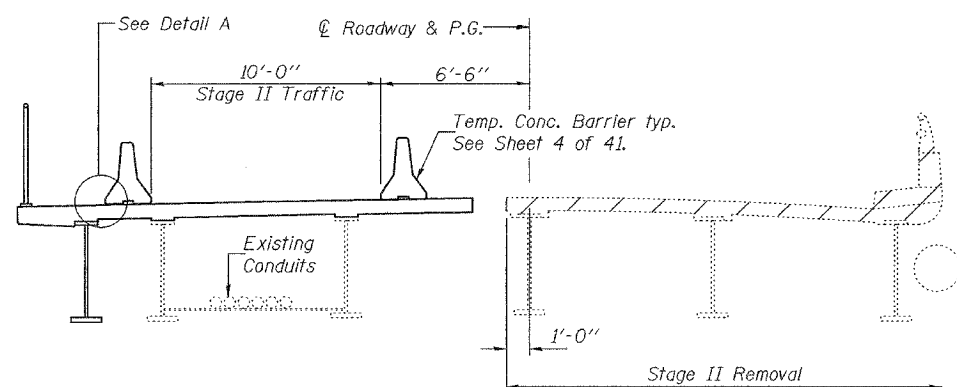
STAGE II CONSTRUCTION



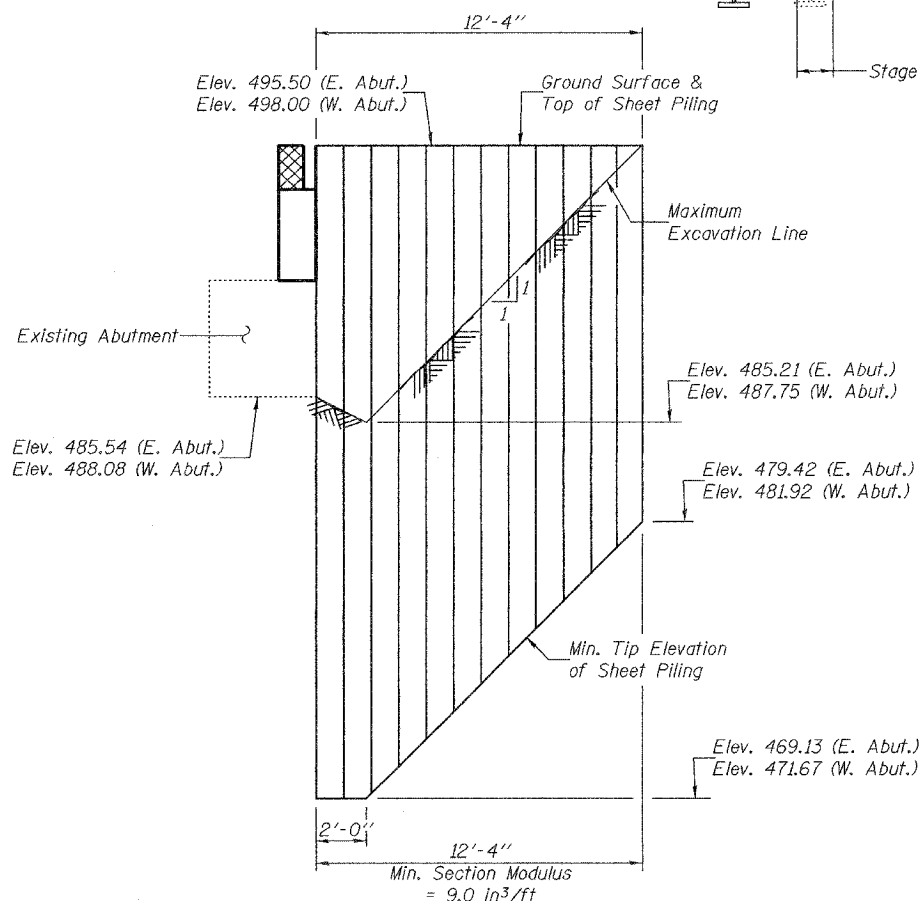
STAGE III CONSTRUCTION



STAGE I CONSTRUCTION



STAGE II REMOVAL



TEMPORARY SHEET PILING

ELEVATION AT ABUTMENTS

(East Abutment looking North)
(West Abutment similar by rotation)

Notes:
Hatched areas indicate Removal of Existing Concrete Deck.
For quantity of Temporary Concrete Barrier, see roadway plans.
All cross sections are looking East.
If the Contractor chooses to alter the temporary cantilevered sheet piling design requirements shown on the plans, a design submittal including plan details and calculations will be required for review and acceptance by the Engineer.

DESIGNED	F.T.
CHECKED	S.M.R.
DRAWN	BECKY M. LEACH
CHECKED	F.T./S.M.R.

February 1, 2007
EXAMINED *Thomas J. Damgalaki*
ENGINEER OF BRIDGE DESIGN
PASSED *Ralph E. Anderson*
ENGINEER OF BRIDGES AND STRUCTURES

STAGE CONSTRUCTION DETAILS
F.A.P. ROUTE 623 - SECTION X-IBR
LaSALLE COUNTY
STATION 1036+60.72
STRUCTURE NO. 050-0094