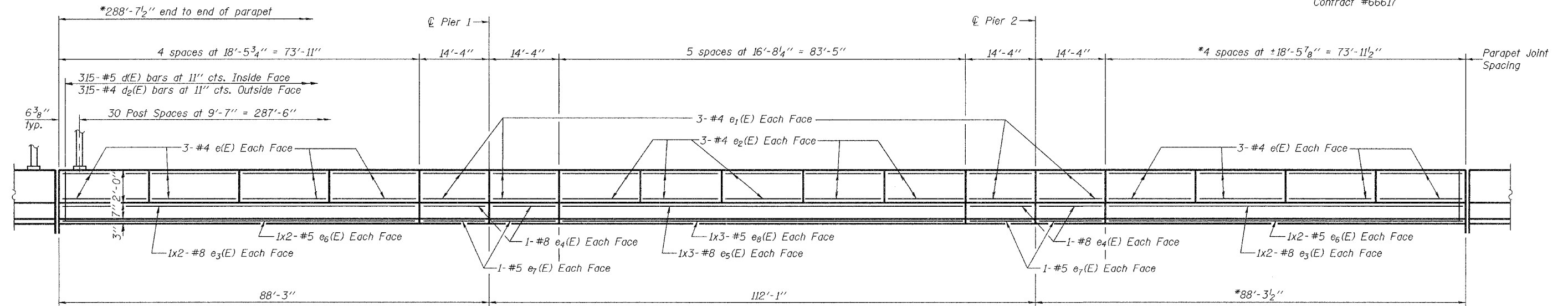


STATE OF ILLINOIS
DEPARTMENT OF TRANSPORTATION

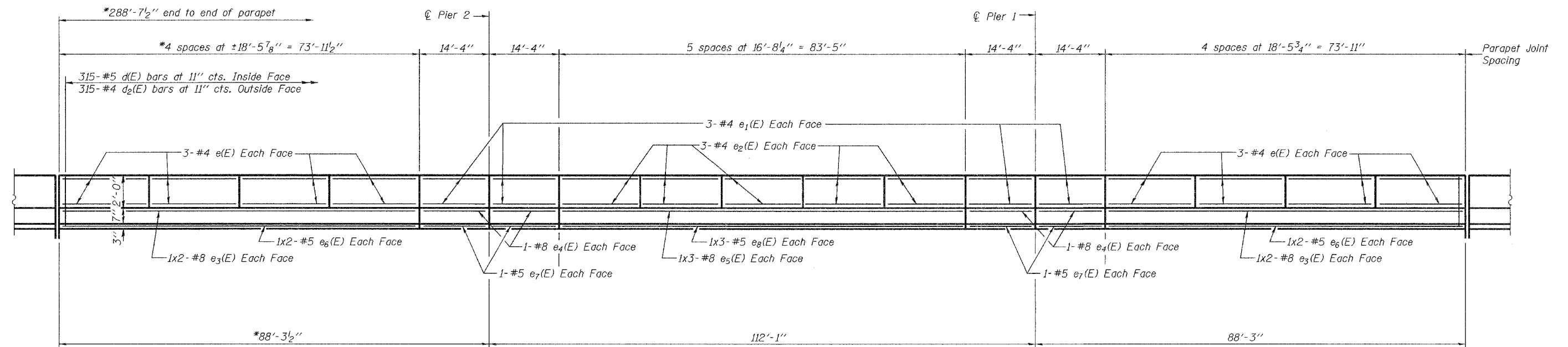
ROUTE NO.	SECTION	COUNTY	SHEET NO.	SHEET TOTAL	SHEET NO. 10
FAP 623	X-IBR	LaSalle	126	65	41 SHEETS
FED. ROAD DIST. NO. 7	ILLINOIS	FED. AID PROJECT-	Contract #66617		



INSIDE ELEVATION OF PARAPET
(North Parapet)

MIN. BAR LAPS

#5 bars = 1'-8"
#8 bars = 3'-5"



INSIDE ELEVATION OF PARAPET
(South Parapet)

DESIGNED	F.T.
CHECKED	S.M.R.
DRAWN	DECKY M. LEACH
CHECKED	F.T./S.M.R.

February 1, 2007
EXAMINED *Thomas J. Domagala*
PASSED *Ralph E. Anderson*
ENGINEER OF BRIDGE DESIGN
ENGINEER OF BRIDGES AND STRUCTURES

*See Note A on sheet 7 of 41.

Notes:

Bars indicated thus 1x3-#5 etc. indicates 1 lines of bars with 3 lengths per line.
For bar details, see sheet 11 of 41.
For Bicycle Railing and Parapet Railing Details, see sheet 17 and 18 of 41.
For Bill of Material, see sheet 12 of 41.
Space reinforcement to avoid rail anchors.

PARAPET ELEVATION
F.A.P. ROUTE 623 - SECTION X-IBR
LaSALLE COUNTY
STATION 1036+60.72
STRUCTURE NO. 050-0094