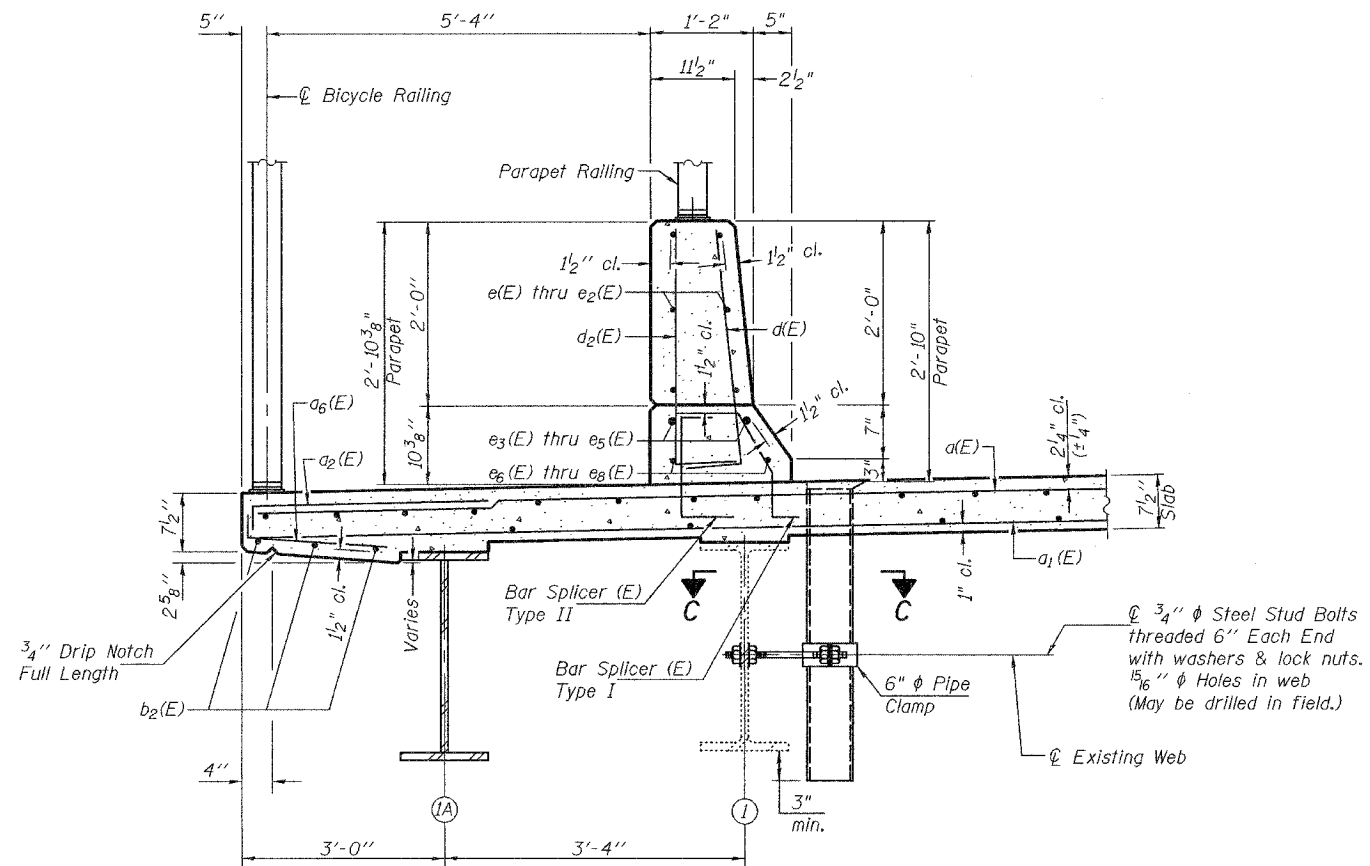
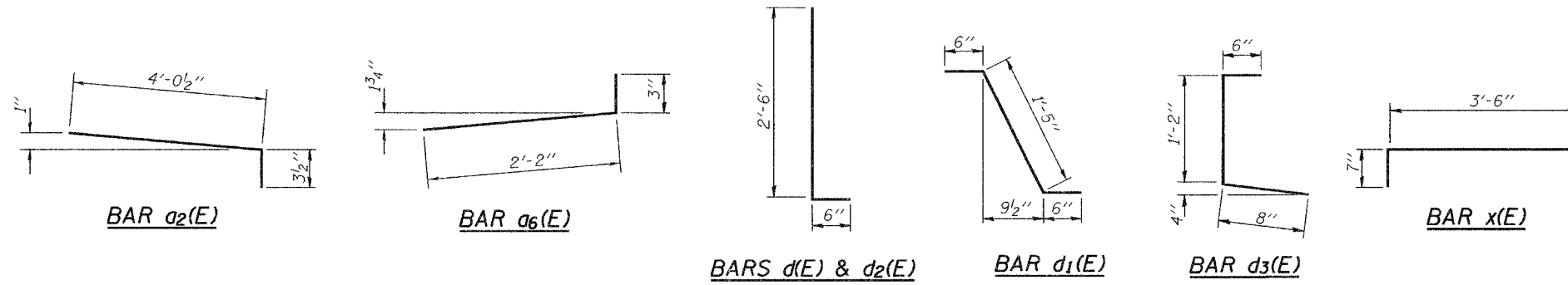


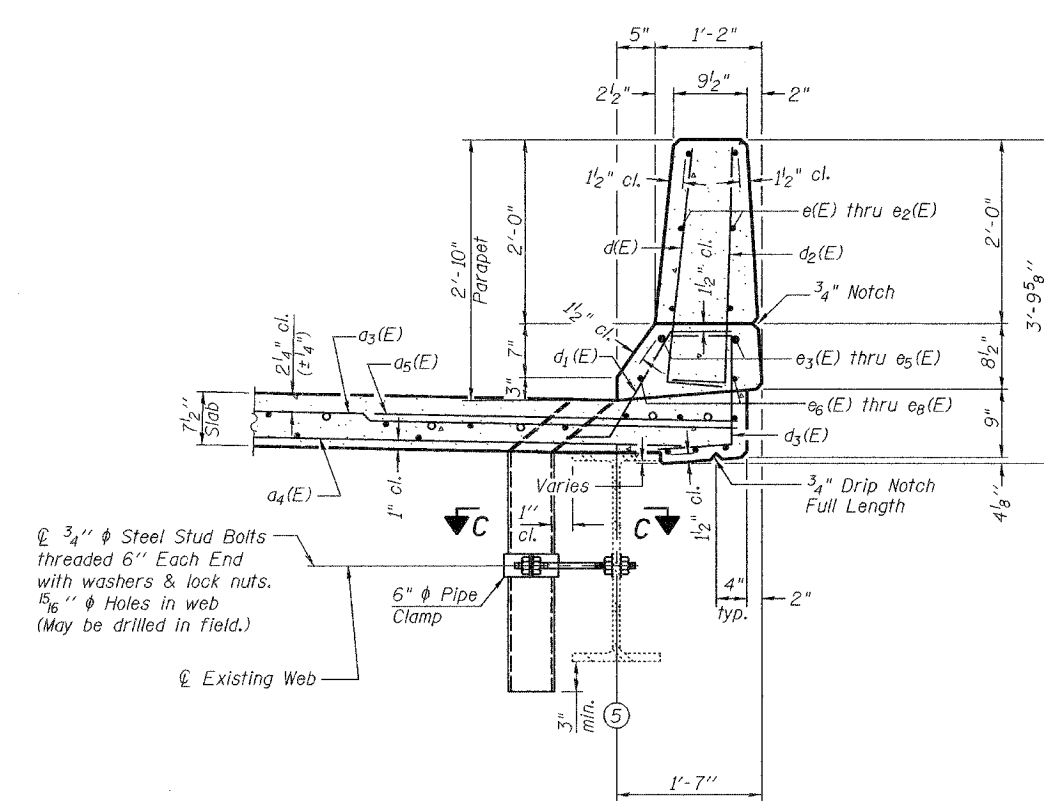
STATE OF ILLINOIS  
DEPARTMENT OF TRANSPORTATION

ROUTE NO.	SECTION	COUNTY	TOTAL SHEETS	SHEET NO.	SHEET NO. 11 41 SHEETS
FAP 623	X-IBR	LaSalle	126	66	
FED. ROAD DIST. NO. 7	ALLIANCE	FED. AID PROJECT			

Contract #66617



**SECTION THRU NORTH PARAPET**



**SECTION THRU SOUTH PARAPET**

Notes:

The exterior surfaces of the floor drains shall be painted with the finish coat as specified in the special provision for Cleaning and Painting New Metal Structures. The exterior surfaces of the drains shall be cleaned according to Steel Structures Painting Council's Specification SSPC - SP1 prior to painting.

Fiberglass pipe shall conform to ASTM D 2996, with short-time rupture strength hoop tensile stress of 30,000 p.s.i. minimum.

For Railing Details, see sheet 17 and 18 of 41.

For Bar Splicer details, see sheets 37 and 38 of 41.

For Section C-C and remainder of floor drain details, see sheet 12 of 41.

DESIGNED	F.T.	EXAMINED	February 1, 2007
CHECKED	S.M.R.	<i>Thomas J. Domagalaki</i>	ENGINEER OF BRIDGE DESIGN
DRAWN	BECKY M. LEACH	<i>Ralph E. Anderson</i>	ENGINEER OF BRIDGES AND STRUCTURES
CHECKED	F.T./S.M.R.		

**SUPERSTRUCTURE DETAILS**  
**F.A.P. ROUTE 623 - SECTION X-IBR**  
**LaSALLE COUNTY**  
**STATION 1036+60.72**  
**STRUCTURE NO. 050-0094**