

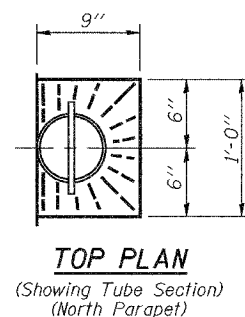
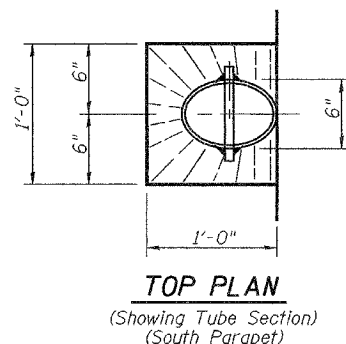
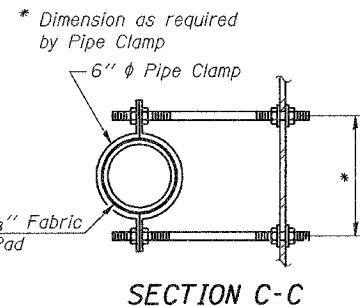
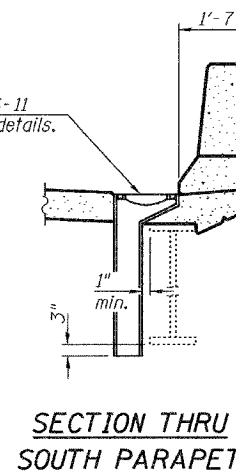
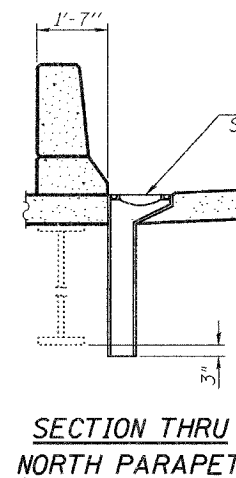
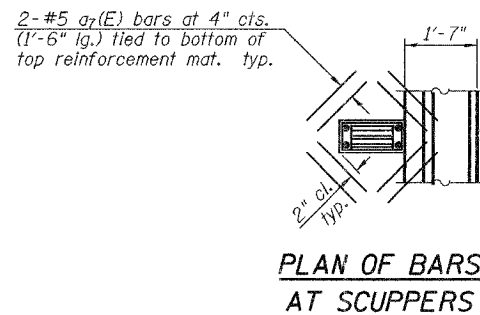
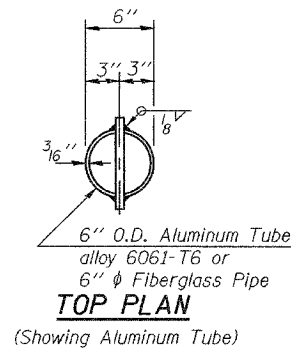
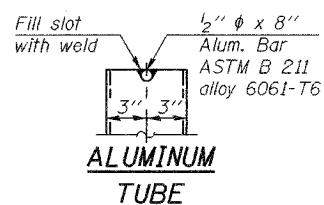
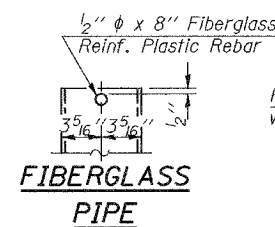
STATE OF ILLINOIS
DEPARTMENT OF TRANSPORTATION

ROUTE NO.	SECTION	COUNTY	STA.	SHEET NO.
FAP 623	X-IBR	LaSalle	126	67
FED. ROAD DIST. NO. 7	ILLINOIS	FED. AID PROJECT-		

SHEET NO. 12
41 SHEETS

Contract #66617

Note:
For bar details, see sheet 11 of 41



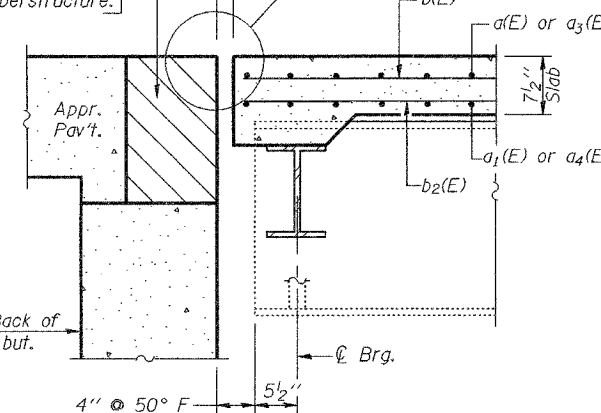
FLOOR DRAINS

SUPERSTRUCTURE BILL OF MATERIAL

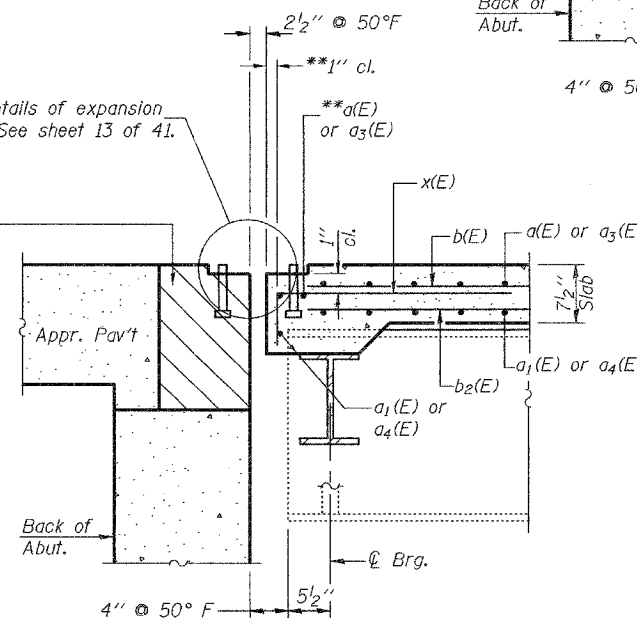
Bar	No.	Size	Length	Shape
a(E)	630	#5	19'-5"	—
a1(E)	433	#5	19'-0"	—
a2(E)	315	#6	4'-4"	—
a3(E)	630	#5	19'-8"	—
a4(E)	433	#5	19'-2"	—
a5(E)	315	#6	4'-6"	—
a6(E)	315	#6	2'-5"	—
a7(E)	16	#5	1'-6"	—
b(E)	420	#5	30'-4"	—
b1(E)	240	#6	19'-8"	—
b2(E)	517	#5	27'-9"	—
d(E)	630	#5	3'-0"	—
d1(E)	315	#5	2'-5"	—
d2(E)	630	#4	3'-0"	—
d3(E)	315	#4	2'-4"	—
e(E)	96	#4	18'-2"	—
e1(E)	48	#4	14'-1"	—
e2(E)	60	#4	16'-5"	—
e3(E)	16	#8	38'-7"	—
e4(E)	16	#8	14'-1"	—
e5(E)	12	#8	30'-0"	—
e6(E)	16	#5	37'-8"	—
e7(E)	16	#5	14'-1"	—
e8(E)	12	#5	28'-10"	—
x(E)	39	#5	4'-1"	—
Reinforcement Bars, Epoxy Coated		Pound	95,000	
Concrete Superstructure		Cu. Yds.	356.3	

***See Note A on sheet 7 of 41.

Hatched area to be poured after superstructure forms have been removed. Quantity of concrete included with Concrete Superstructure.

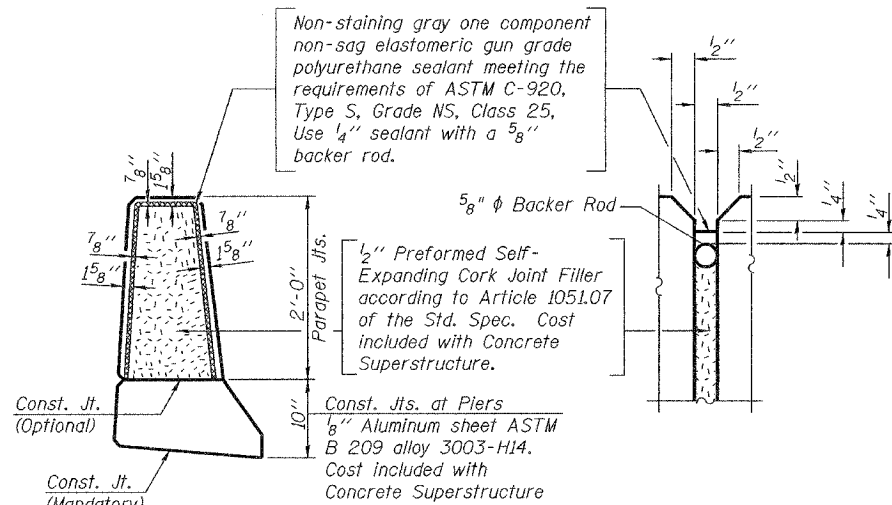


Hatched area to be poured after superstructure forms have been removed. Quantity of concrete included with Concrete Superstructure.



**Place a(E) or a3(E) bars in back of anchor bolt as shown if required to maintain 1" cl. (+0-1/8"). Anchor bolts should be tied to a(E) or a3(E) bars.

Non-staining gray one component non-sag elastomeric gun grade polyurethane sealant meeting the requirements of ASTM C-920, Type S, Grade NS, Class 25, Use 1/4" sealant with a 5/8" backer rod.



PARAPET JOINT DETAILS

(South parapet shown, North parapet similar. Cork joint filler similar for North parapet on approach pavement, see sheet 9 of 41.)

DESIGNED	F.T.
CHECKED	S.M.R.
DRAWN	BECKY M. LEACH
CHECKED	F.T./S.M.R.

EXAMINED	February 1, 2007
PASSED	Thomas J. Domagala
	Ralph E. Anderson

SUPERSTRUCTURE DETAILS
F.A.P. ROUTE 623 - SECTION X-IBR
LaSALLE COUNTY
STATION 1036+60.72
STRUCTURE NO. 050-0094