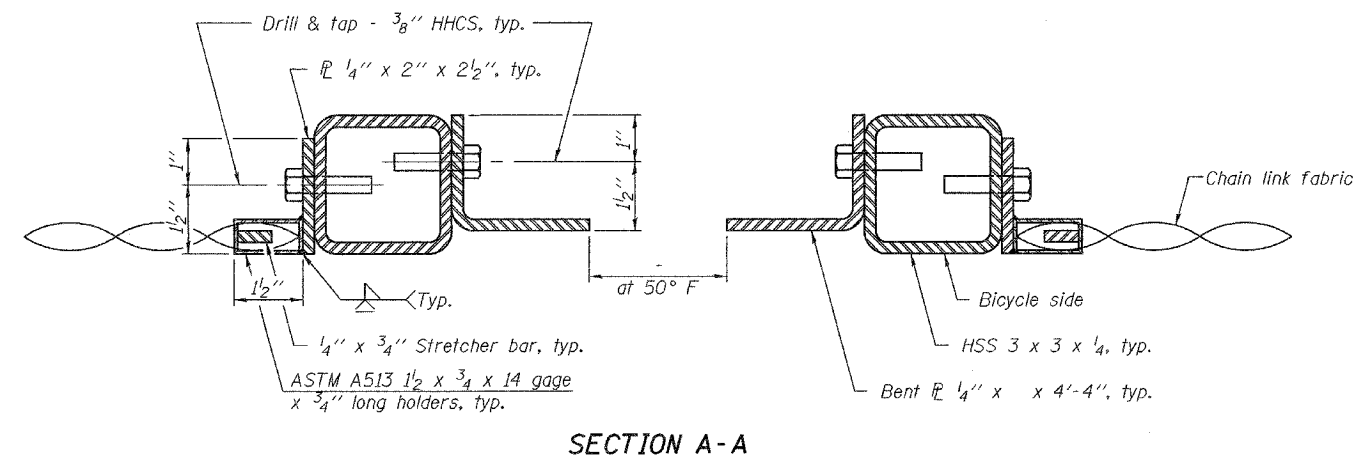
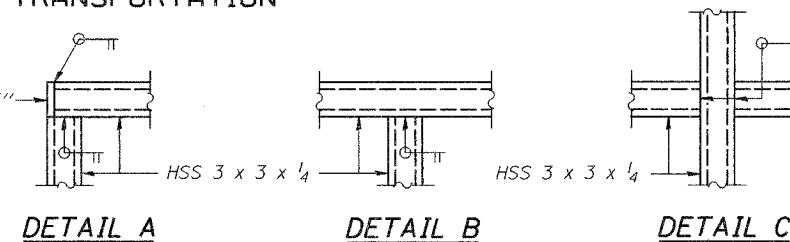
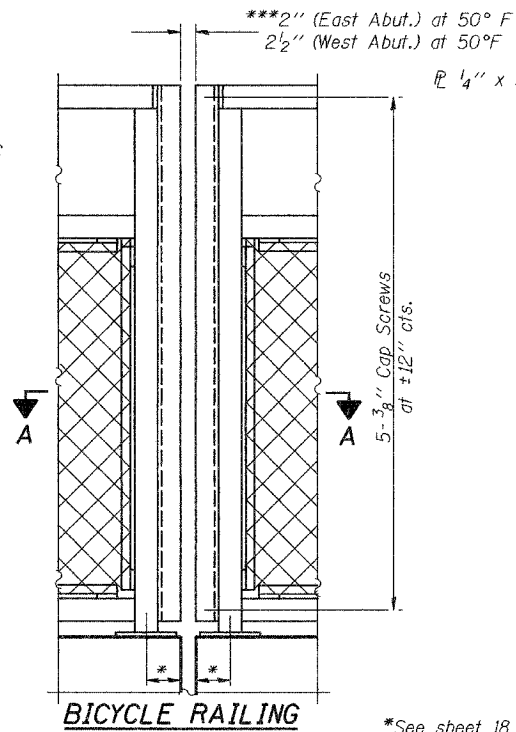
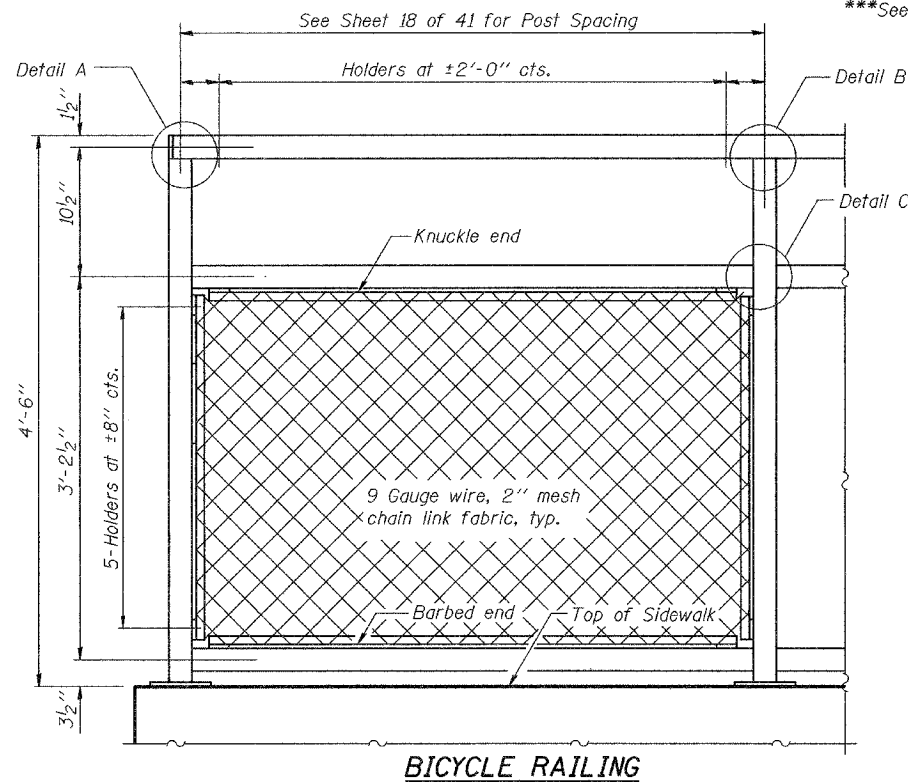


STATE OF ILLINOIS
DEPARTMENT OF TRANSPORTATION

ROUTE NO.	DISTRICT	COUNTY	DIST. SHEETS	SHEET NO.	SHEET NO. 17 41 SHEETS
FAP 623	X-IBR	LaSalle	126	72	
FED. ROAD DIST. NO. 7		ILLINOIS		FED. AID PROJECT-	

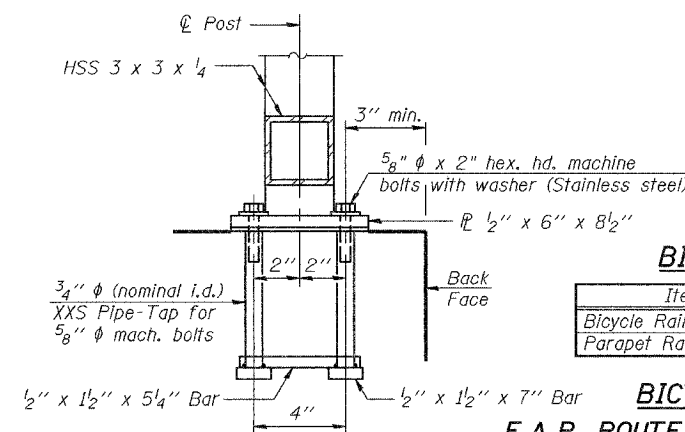
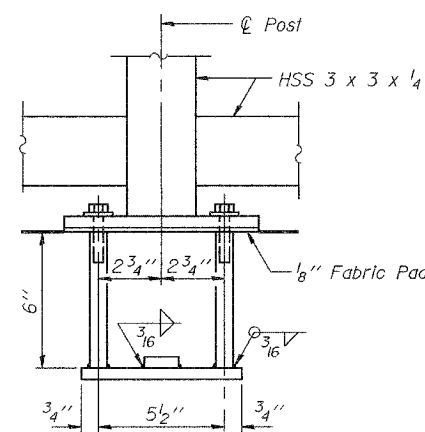
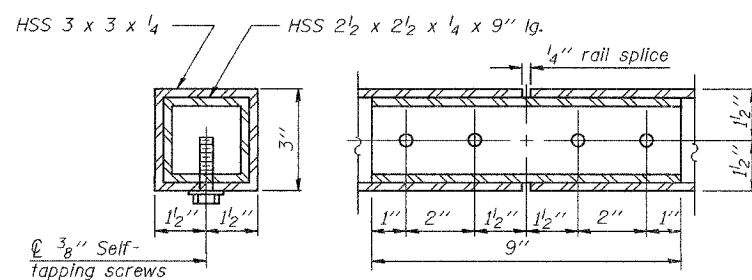
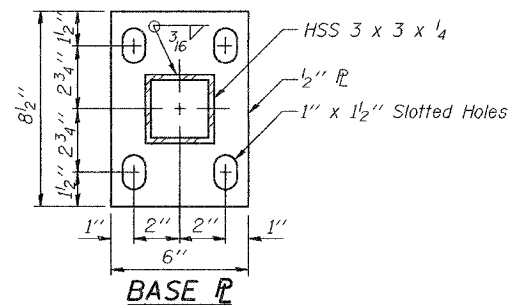
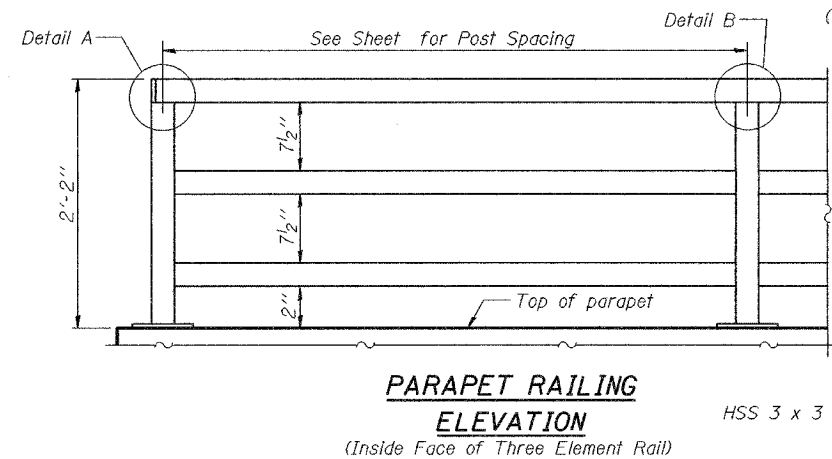
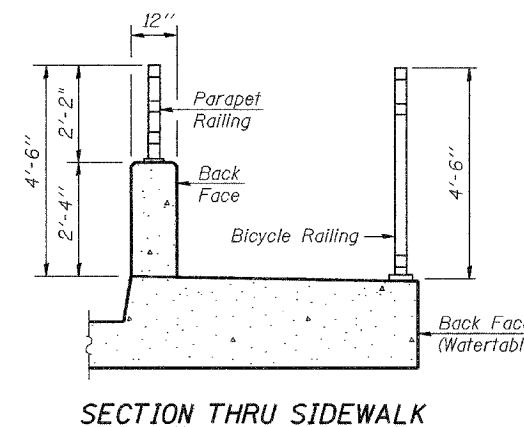
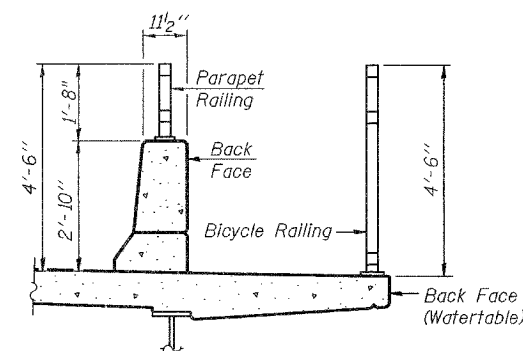
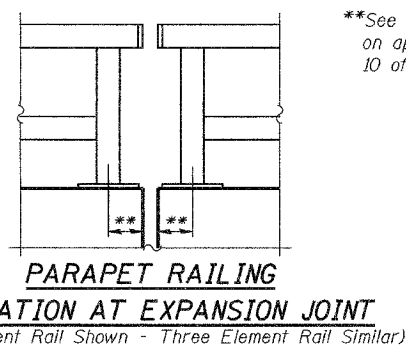
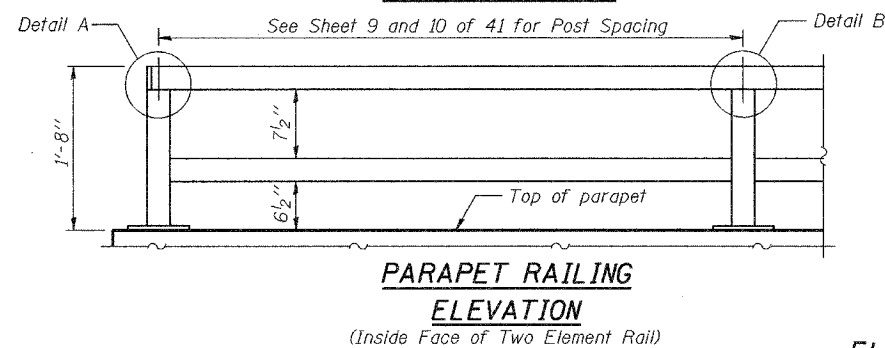
Contract #66617

Note:
All steel rail elements shall be galvanized according to Article 509.05 of the Standard Specifications.



*See sheet 18 of 41.

**See sheet 9 of 41 for spacing on approach pavement. See sheet 10 of 41 for spacing on bridge.



BILL OF MATERIAL

Item	Unit	Quantity
Bicycle Railing	Foot	289
Parapet Railing	Foot	289

BICYCLE RAILING
F.A.P. ROUTE 623 - SECTION X-IBR
LaSALLE COUNTY
STATION 1036+60.72
STRUCTURE NO. 050-0094

DESIGNED	F.T.
CHECKED	S.M.R.
DRAWN	BECKY M. LEACH
CHECKED	F.T./S.M.R.

February 1, 2007

EXAMINED *Thomas J. Domagala*
ENGINEER OF BRIDGE DESIGN

PASSED *Ralph E. Anderson*
ENGINEER OF BRIDGES AND STRUCTURES

R-29 11-1-06 (10'-0" Maximum Post Spacing)