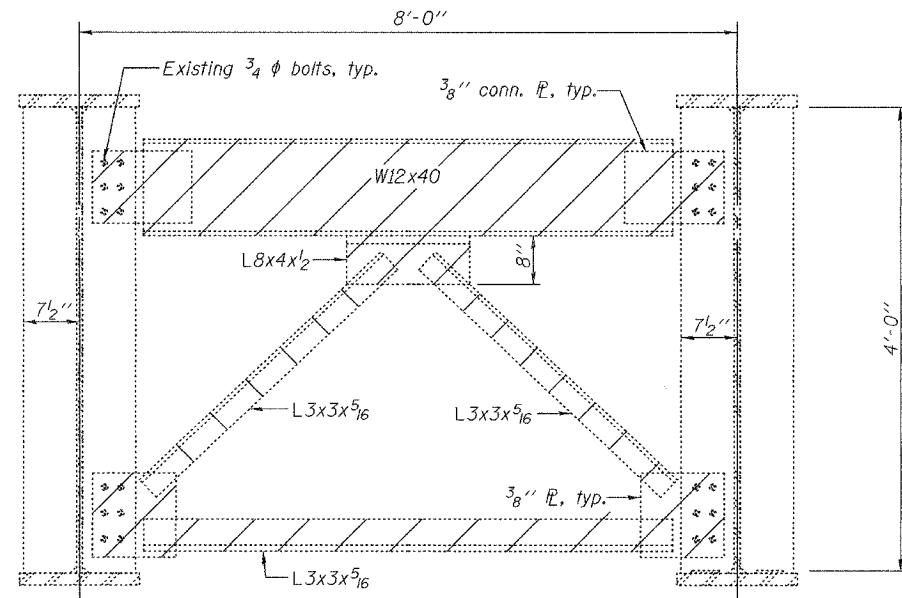


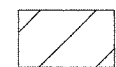
STATE OF ILLINOIS  
DEPARTMENT OF TRANSPORTATION

ROUTE NO.	SECTION	COUNTY	TOTAL SHEETS	SHEET NO.	SHEET NO. 22
FAP 623	X-IBR	LaSalle	126	77	41 SHEETS
FED. ROAD DIST. NO. 7		ILLINOIS	FED. AID PROJECT		

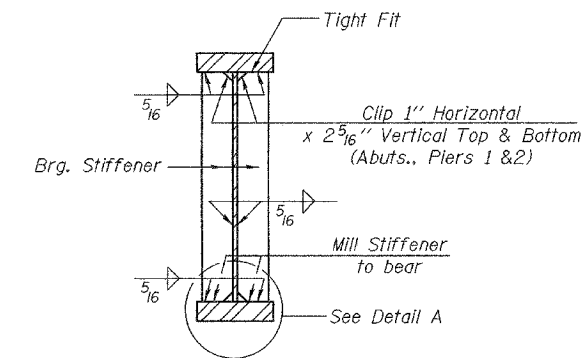
Contract #66617



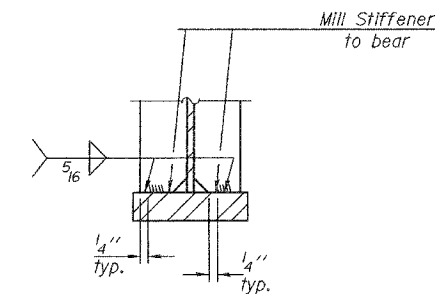
**END CROSS FRAME REMOVAL**  
(8 locations total, 4 at each abutment)

 Indicates steel to be removed as Structural Steel Removal

Notes:  
Care shall be taken not to damage existing steel that is to be reused.  
Existing sanitary sewer, conduits and connections for both are not shown.



**BEARING STIFFENER DETAILS  
AT GIRDER 1A**



**DETAIL A**

**BILL OF MATERIAL**

Item	Unit	Total
Structural Steel Removal	Pound	3460

**STRUCTURAL STEEL DETAILS**  
**F.A.P. ROUTE 623 - SECTION X-IBR**  
**LaSALLE COUNTY**  
**STATION 1036+60.72**  
**STRUCTURE NO. 050-0094**

DESIGNED	F.T.
CHECKED	S.M.R.
DRAWN	BECKY M. LEACH
CHECKED	F.T./S.M.R.

EXAMINED	February 1, 2007
PASSED	Thomas J. Domagalaki ENGINEER OF BRIDGE DESIGN
	Ralph E. Anderson ENGINEER OF BRIDGES AND STRUCTURES