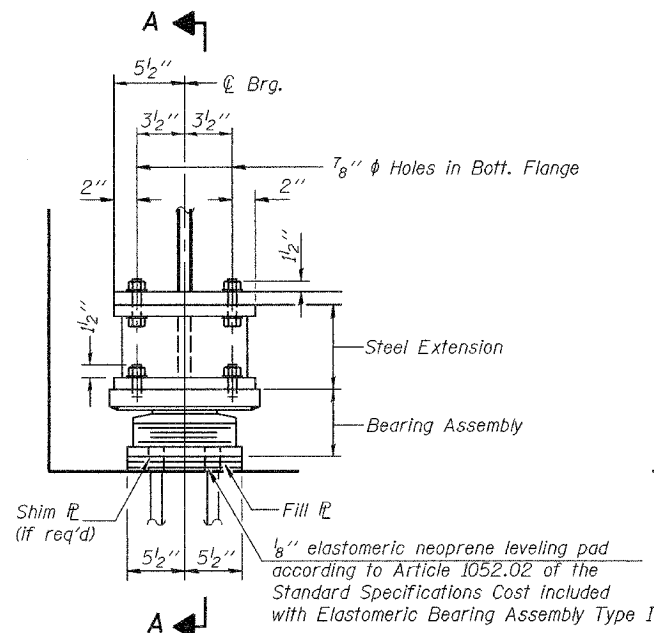


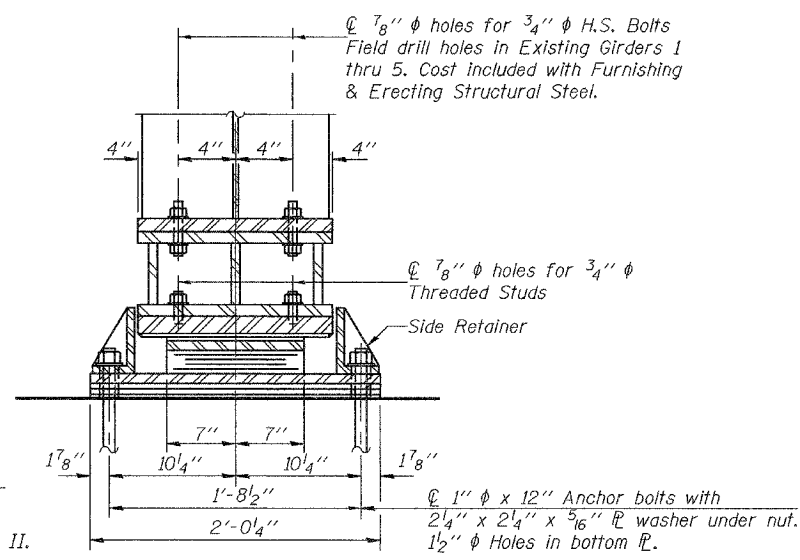
STATE OF ILLINOIS  
DEPARTMENT OF TRANSPORTATION

ROUTE NO.	SECTION	COUNTY	TOTAL SHEETS	SHEET NO.	SHEET NO. 23 41 SHEETS
FAP 623	X-IBR	LaSalle	126	78	
FED. ROAD DIST. NO. 7	ILLINOIS	FED. AID PROJECT			

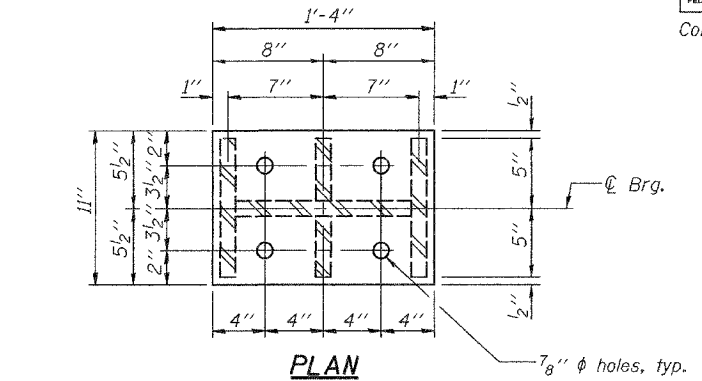
Contract #66617



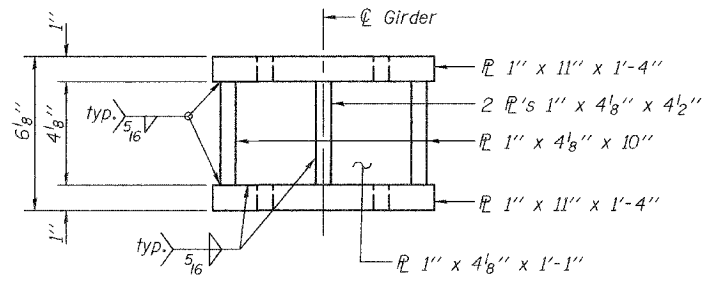
ELEVATION AT WEST ABUTMENT



SECTION A-A



PLAN



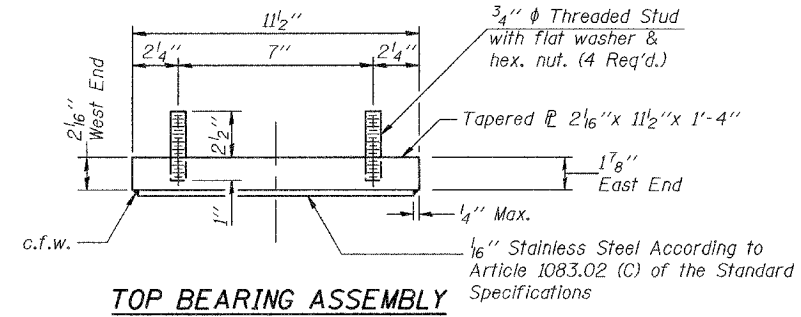
STEEL EXTENSIONS AT WEST ABUTMENT  
(6 required)

**TYPE II ELASTOMERIC EXP. BRG.**  
(6 required)  
Girder 1A shown, existing Girders 1-5 similar.

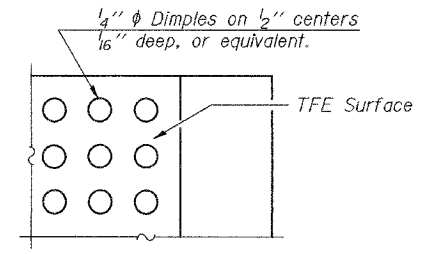
FILL PLATE TABLE

Girder	1A	1	2	3	4	5
West Abutment	-	3/8"	1/4"	1/4"	1/4"	1/2"

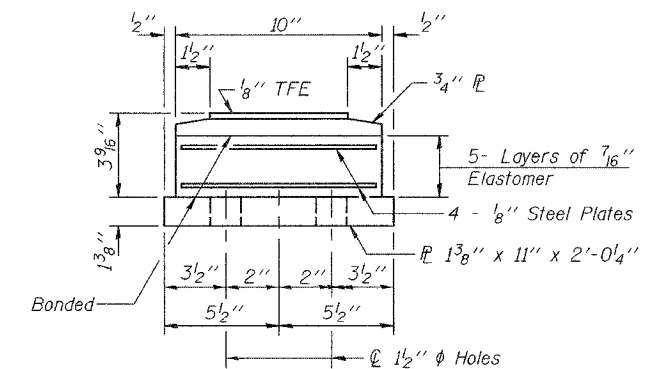
Notes:  
The 1/8" TFE sheet shall be bonded directly to the top steel plate with a two-component, medium viscosity epoxy resin, conforming to the requirements of the Federal Specification MMM-A-134, Type I. The bond agent shall be applied on the full area of the contact surfaces. Bonding of 1/8" TFE sheet during vulcanizing process will be permitted provided the process and method of adjusting assembly height is approved by the Engineer.  
See sheet 24 of 41 for Jack & Remove Existing Bearing procedure.  
See sheet 26 of 41 for Anchor Bolt Installation Details.  
See sheet 30 of 41 for Anchor Bolt location.  
Two 1/8" adjusting shims shall be provided for each bearing in addition to all other plates or shims and placed as shown in bearing details.



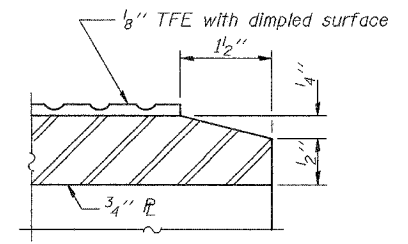
TOP BEARING ASSEMBLY



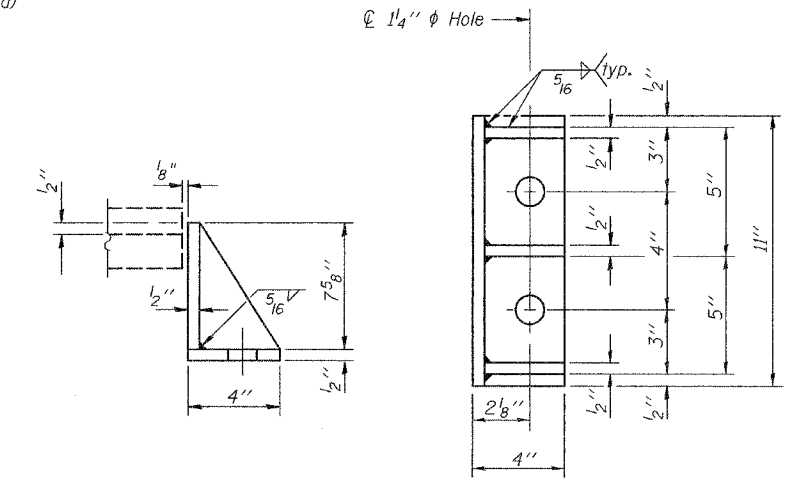
PLAN-TFE SURFACE



BOTTOM BEARING ASSEMBLY



SECTION THRU TFE

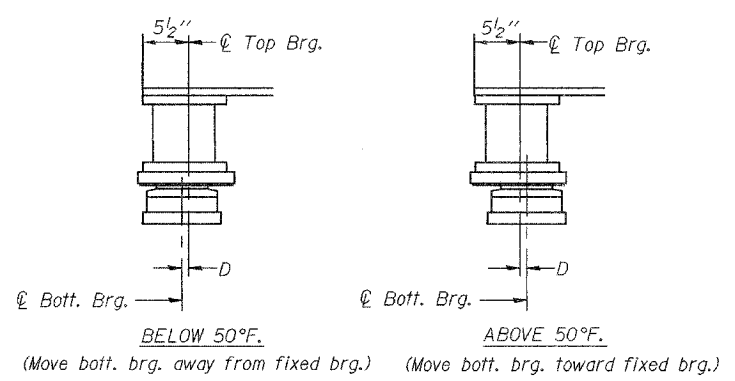


SIDE RETAINER

Equivalent rolled angle with stiffeners will be allowed in lieu of welded plates. Cost included with Elastomeric Bearing Assembly, Type II.

BILL OF MATERIAL

Item	Unit	Total
Elastomeric Bearing Assembly Type II	Each	6



SETTING ANCHOR BOLTS AT EXP. BRG.

D = 1/8" per each 100' of expansion for every 15° temp. change from the normal temp. of 50°F.

DESIGNED	F.T.
CHECKED	S.M.R.
DRAWN	BECKY M. LEACH
CHECKED	F.T./S.M.R.

February 1, 2007  
EXAMINED *Thomas J. Demagala*  
ENGINEER OF BRIDGE DESIGN  
PASSED *Ralph E. Anderson*  
ENGINEER OF BRIDGES AND STRUCTURES

WEST ABUTMENT BEARING DETAILS  
F.A.P. ROUTE 623 - SECTION X-IBR  
LaSALLE COUNTY  
STATION 1036+60.72  
STRUCTURE NO. 050-0094