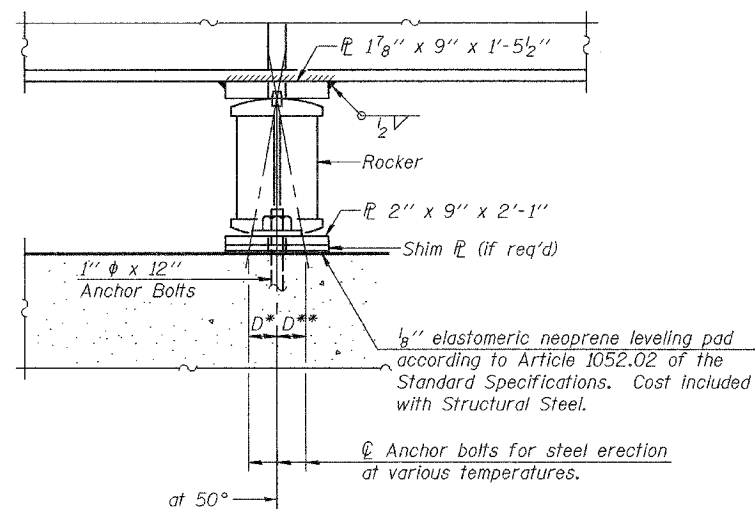


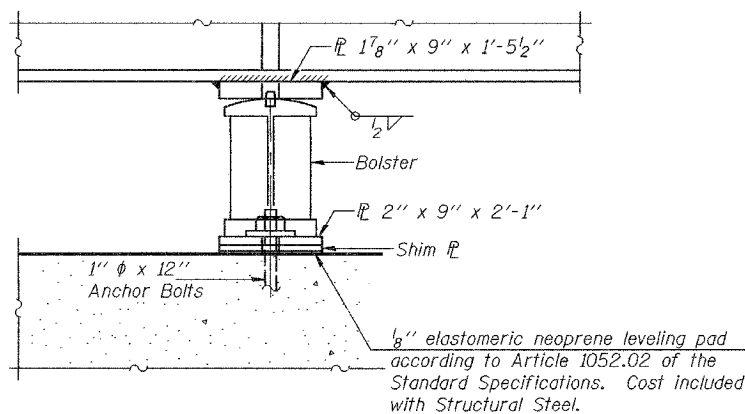
STATE OF ILLINOIS  
DEPARTMENT OF TRANSPORTATION

ROUTE NO.	SECTION	COUNTY	TOTAL SHEETS	SHEET NO.	SHEET NO. 25 41 SHEETS
FAP 623	X-IBR	LaSalle	126	80	
FED. ROAD DIST. NO. 7	ILLINOIS	FED. AID PROJECT-	Contract #66617		



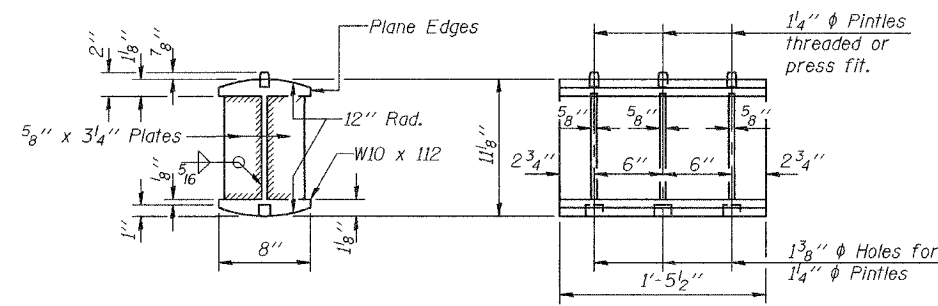
**ELEVATION EXPANSION BEARING AT PIER 1**

(1 full bearing including anchor bolts required at Girder 1A)  
(Anchor bolts, nuts, and washers also required at existing bearings at Girders 1 & 2)

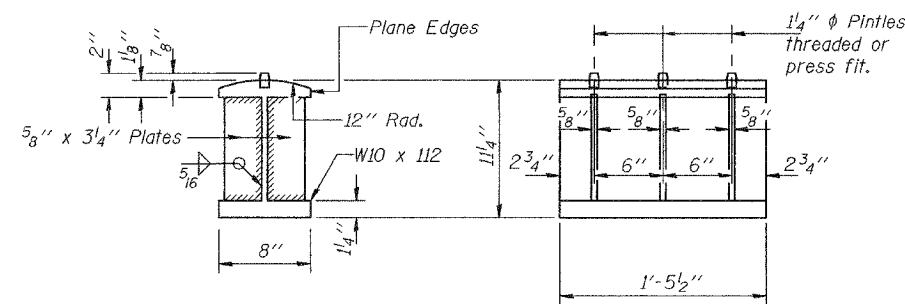


**ELEVATION FIXED BEARING AT PIER 2**

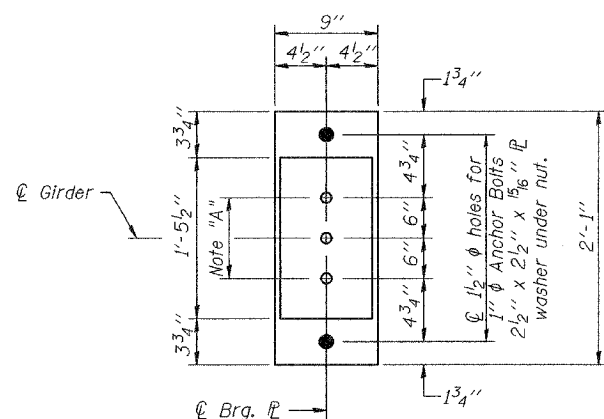
(1 full bearing including anchor bolts required at Girder 1A)  
(Anchor bolts, nuts, and washers also required at existing bearings at Girders 1 & 2)



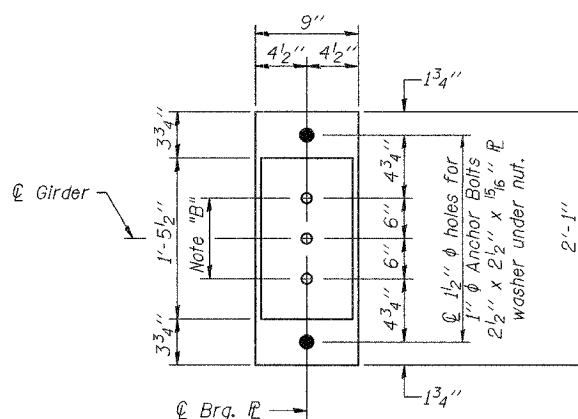
**ROCKER**



**BOLSTER**



**PLAN AT PIER 1**



**PLAN AT PIER 2**

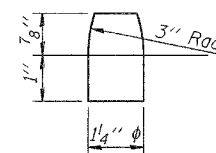
Note "A"  
1 3/8"  $\phi$  Holes- 1" deep in  
Top plate for 1 1/4"  $\phi$  pintles. Thread  
or press fit pintles in bottom plate.

Note "B"  
1 3/8"  $\phi$  Holes- 1" deep in  
Top plate only for 1 1/4"  $\phi$  pintles.

**NOTES FOR SETTING OF ANCHOR BOLTS  
AT EXPANSION BEARINGS AT PIER 1**

- a.) D\* (Side of brg. away from fixed brg.)  
D\* = 1/8" per each 100' of expansion for  
every 15° fall below the normal temp.  
of 50° F.  
D\*\* (Side of brg. toward fixed brg.)  
D\*\* = 1/8" per each 100' of expansion for  
every 15° rise above the normal temp.  
of 50° F.

- b.) After girders have been erected and dimensions  
D\* & D\*\* determined, holes shall be drilled and  
anchor bolts shall be installed as shown on  
Sheet 26 of 41. All fixed anchor bolts may be  
built into the masonry.



**PINTLE**

**Notes:**

See sheet 26 of 41 for Anchor Bolt  
Installation details.  
See sheet 36 of 41 for Anchor Bolt  
location.

Two 1/8" adjusting shims shall be  
provided for each bearing in addition  
to all other plates or shims and placed  
as shown in bearing details.

DESIGNED	F.T.
CHECKED	S.M.R.
DRAWN	BECKY M. LEACH
CHECKED	F.T./S.M.R.

EXAMINED	February 1, 2007
	Thomas J. Domagala
PASSED	Ralph E. Anderson
	ENGINEER OF BRIDGES AND STRUCTURES

**BEARING DETAILS AT PIERS 1 & 2**  
**F.A.P. ROUTE 623 - SECTION X-IBR**  
**LaSALLE COUNTY**  
**STATION 1036+60.72**  
**STRUCTURE NO. 050-0094**