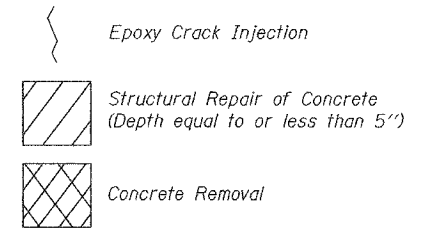
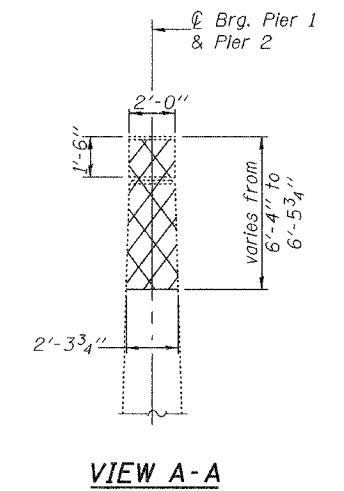
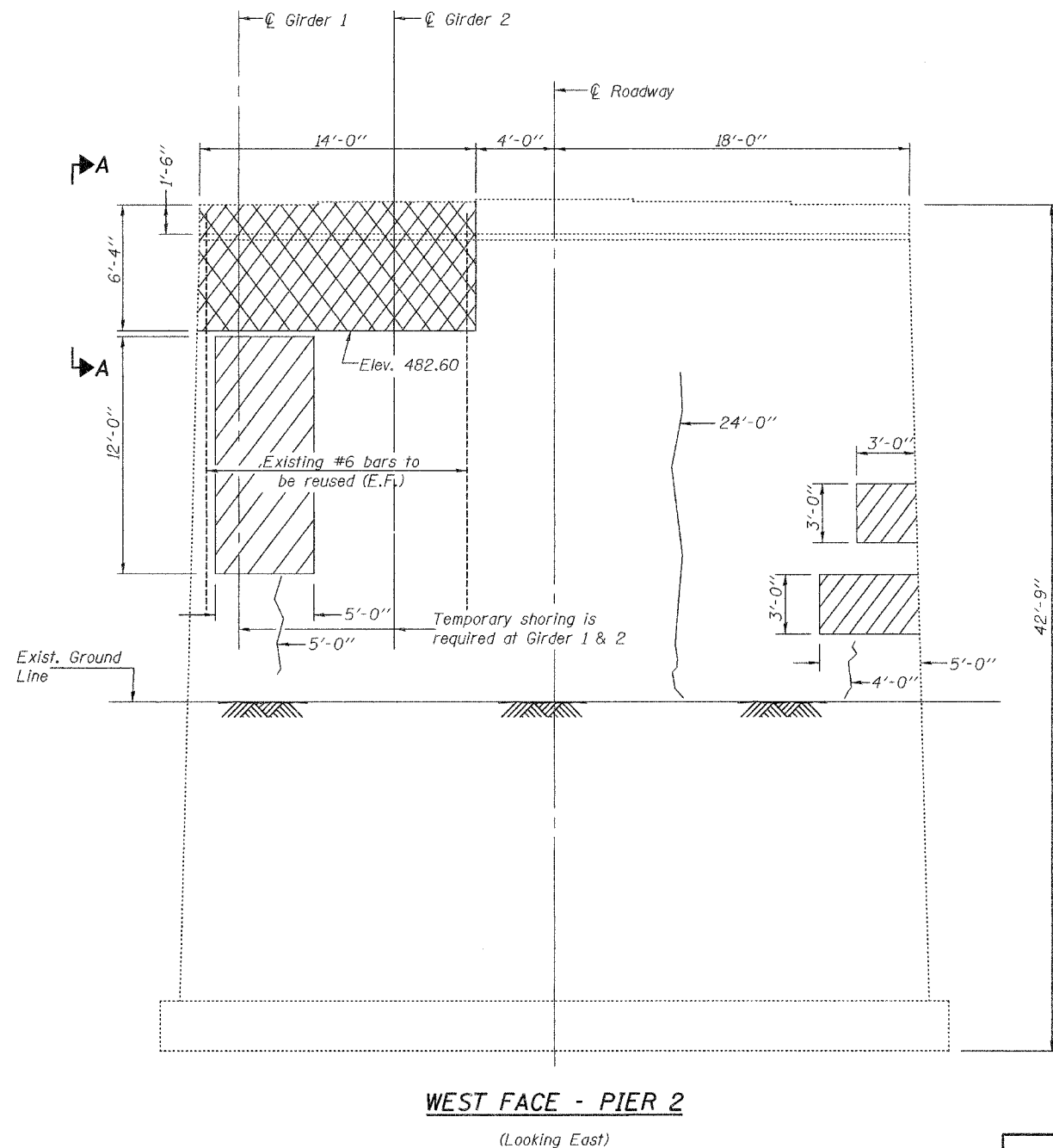
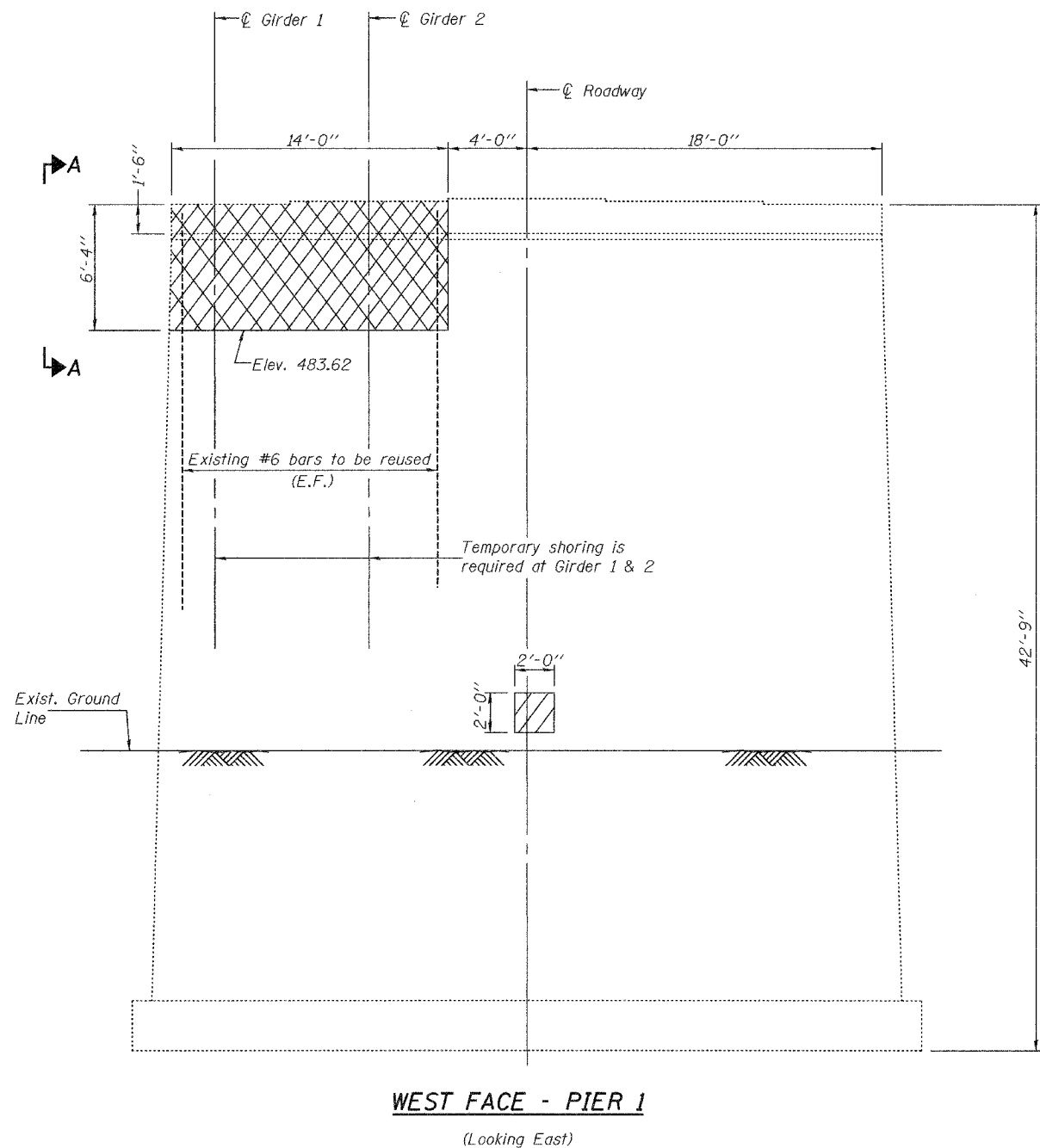


STATE OF ILLINOIS  
DEPARTMENT OF TRANSPORTATION

ROUTE NO.	SECTION	COUNTY	STATION POINTS	SHEET NO.	SHEET NO. 29
FAP 623	X-IBR	LaSalle	126	84	41 SHEETS
FED. ROAD DIST. NO. 7	ILLINOIS	FED. AID PROJECT-			

Contract #66617



**TWO PIERS  
BILL OF MATERIAL**

Item	Unit	Total
Concrete Removal	Cu. Yd.	14.4
Epoxy Crack Injection	Foot	28
Structural Repair of Concrete (Depth equal to or less than 5")	Sq. Ft.	88
Temporary Shoring and Cribbing	Each	2

**PIER ELEVATIONS**

**Temporary Shoring and Cribbing:**  
 1. Existing Girders 1 & 2 shall be temporarily shored and cribbed prior to concrete removal of the noted portions of the existing pier. They shall remain shored and cribbed until the piers have been reconstructed. See Special Provision.  
 2. The Contractor shall submit, for approval by the Engineer, plans for temporary shoring and cribbing prior to commencing any related work. This work shall be done after existing concrete deck is removed and prior to pouring of the new concrete deck. The maximum dead load reaction per girder (weight of steel only) is 41 Kips at each pier. Minimum jack capacity is 61.5 Kips.  
 3. Existing bearings at Girders 1 & 2 shall be removed prior to beginning pier reconstruction and reinstalled after pier reconstruction is complete. Cost included with Temporary Shoring and Cribbing. (New anchor bolts, nuts, and washers shall be used to reinstall the existing bearings, see sheet 25 of 41. Cost included with Furnishing and Erecting Structural Steel.)

**Notes:**  
 Existing reinforcement not extending into the new construction shall be cut off flush. Cost included with Concrete Removal.  
 Existing reinforcement bars extending into removal area shall be cleaned, straightened, and incorporated into the new construction. Any reinforcement bars that are damaged during concrete removal shall be replaced with an approved bar splicer or anchorage system. Cost included with Concrete Removal.

DESIGNED	F.T.
CHECKED	S.M.R.
DRAWN	BECKY M. LEACH
CHECKED	F.T./S.M.R.

February 1, 2007  
 EXAMINED *Thomas J. Domagalaki*  
 ENGINEER OF BRIDGE DESIGN  
 PASSED *Ralph E. Anderson*  
 ENGINEER OF BRIDGES AND STRUCTURES

**CONCRETE REPAIR & REMOVAL AT PIERS**  
**F.A.P. ROUTE 623 - SECTION X-IBR**  
**LaSALLE COUNTY**  
**STATION 1036+60.72**  
**STRUCTURE NO. 050-0094**