

STATE OF ILLINOIS  
DEPARTMENT OF TRANSPORTATION

ROUTE NO.	SECTION	COUNTY	TOTAL SHEETS	SHEET NO.
FAP 623	X-IBR	LaSalle	126	86
FED. ROAD DIST. NO. 7		ILLINOIS	FED. AID PROJECT-	

Contract #66617

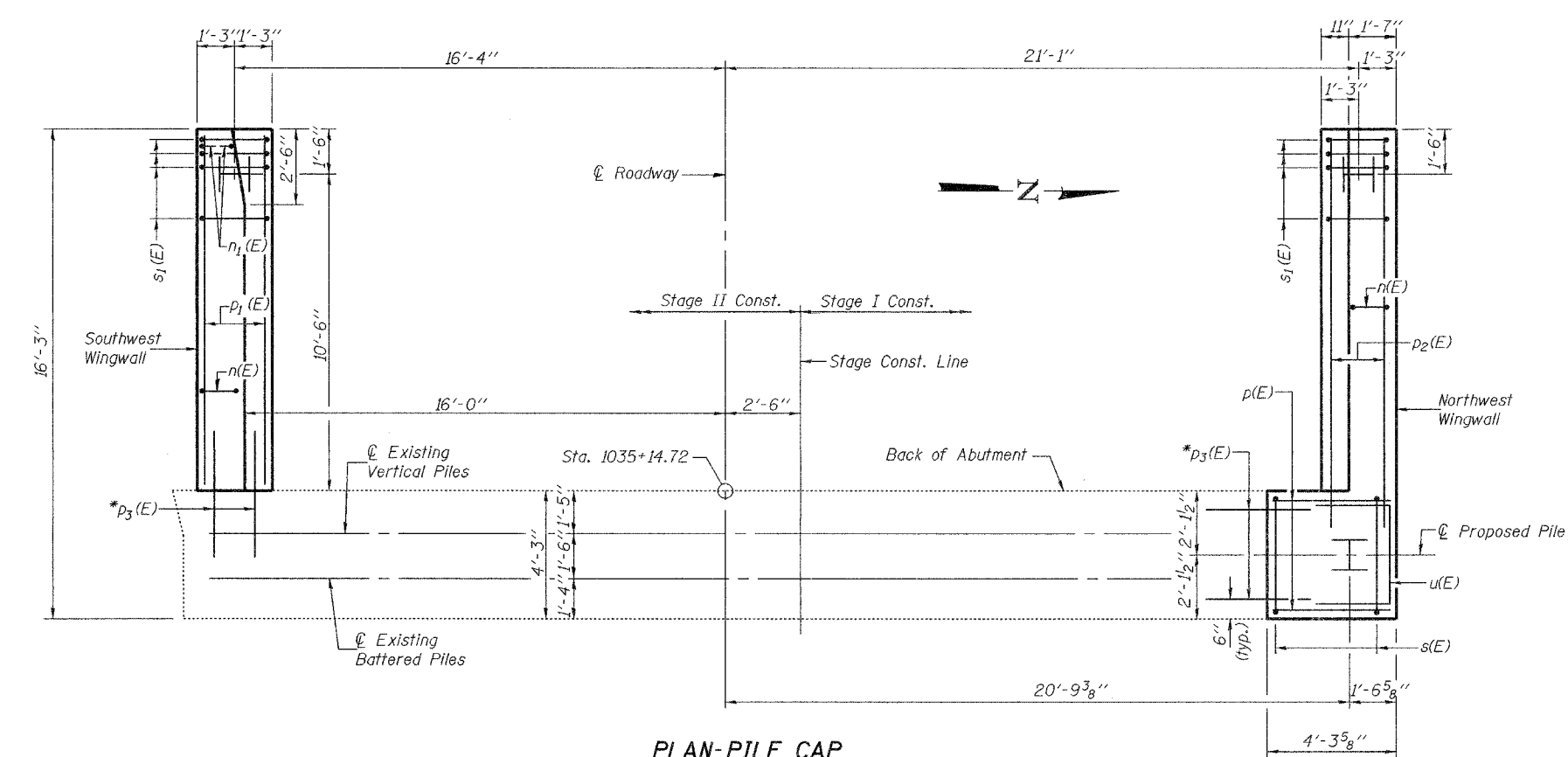
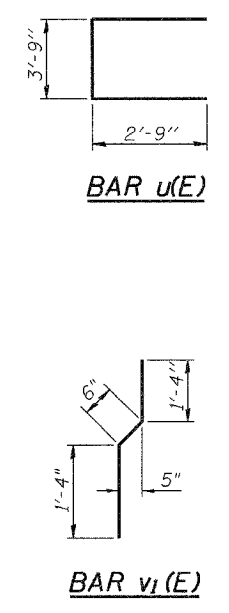
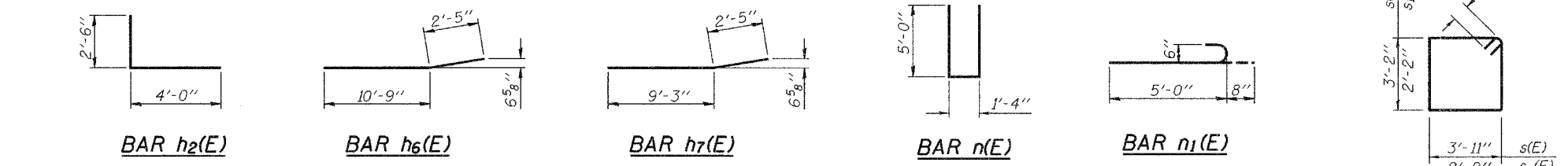
**PILE DATA**

Type & Size: HP12x53  
Nominal Required Bearing: 418.5 kips  
Allowable Resistance Available: 139.5 kips  
Est. Length: 65 feet  
No. of Production Piles: 2  
No. of Test Piles: 1

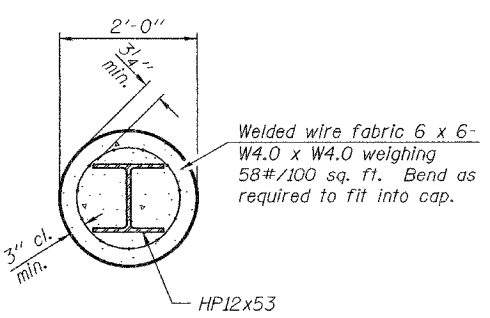
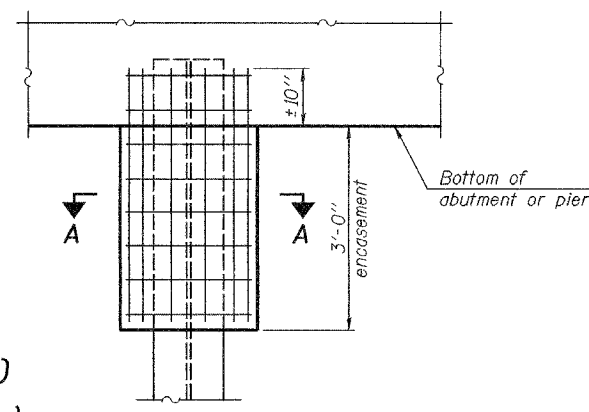
Note: The steel H-piles shall be according to AASHTO M270, Grade 50.

**WEST ABUTMENT  
BILL OF MATERIAL**

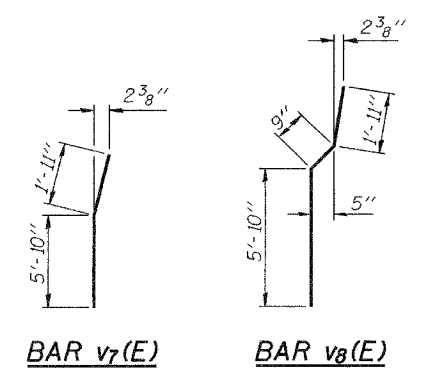
Bar	No.	Size	Length	Shape
h(E)	4	#6	18'-3"	—
h <sub>1</sub> (E)	4	#6	19'-7"	—
h <sub>2</sub> (E)	24	#5	4'-6"	└
h <sub>3</sub> (E)	10	#5	18'-3"	—
h <sub>4</sub> (E)	10	#5	18'-0"	—
h <sub>5</sub> (E)	24	#4	13'-2"	—
h <sub>6</sub> (E)	8	#4	13'-2"	—
h <sub>7</sub> (E)	1	#4	11'-8"	—
h <sub>8</sub> (E)	1	#4	11'-8"	—
h <sub>9</sub> (E)	2	#5	2'-11"	—
n(E)	24	#6	11'-4"	┌
n <sub>1</sub> (E)	6	#6	5'-8"	┌
p(E)	9	#7	4'-0"	—
p <sub>1</sub> (E)	6	#7	11'-9"	—
p <sub>2</sub> (E)	6	#7	15'-0"	—
p <sub>3</sub> (E)	15	#7	3'-0"	—
s(E)	4	#4	14'-11"	┐
s <sub>1</sub> (E)	26	#4	9'-5"	┐
u(E)	4	#6	9'-3"	┌
v(E)	39	#5	3'-5"	—
v <sub>1</sub> (E)	39	#4	3'-2"	—
v <sub>2</sub> (E)	4	#4	4'-5"	—
v <sub>3</sub> (E)	4	#4	5'-8"	—
v <sub>4</sub> (E)	10	#5	6'-5"	—
v <sub>5</sub> (E)	8	#5	2'-11"	—
v <sub>6</sub> (E)	14	#6	8'-3"	—
v <sub>7</sub> (E)	3	#6	7'-9"	—
v <sub>8</sub> (E)	11	#6	8'-6"	—
v <sub>9</sub> (E)	28	#6	4'-4"	—
Structure Excavation	Cu. Yd.	141.5		
Concrete Structures	Cu. Yd.	27.1		
Reinforcement Bars, Epoxy Coated	Pound	3100		
Driving Piles	Foot	130		
Test Pile	Each	1		
Steel HP12x53				
Furnishing Steel Piles HP12x53	Foot	130		
Concrete Encasement	Cu. Yd.	1.6		



\*Epoxy grout p<sub>3</sub>(E) bars in min. 9" drilled holes according to Sec. 584 of the Standard Specifications. Cost of hole drilling and epoxy grout included with Reinforcement Bars, Epoxy Coated.



Note: Forms for encasement may be omitted when soil conditions permit.



DESIGNED	F.T.
CHECKED	S.M.R.
DRAWN	BECKY M. LEACH
CHECKED	F.T./S.M.R.

February 1, 2007  
EXAMINED *Thomas J. Domagalaki*  
PASSED *Ralph E. Anderson*  
ENGINEER OF BRIDGE DESIGN  
ENGINEER OF BRIDGES AND STRUCTURES

**ELEVATION  
PILE ENCASUREMENT**

**SECTION A-A**

**WEST ABUTMENT DETAILS  
F.A.P. ROUTE 623 - SECTION X-IBR  
LaSALLE COUNTY  
STATION 1036+60.72  
STRUCTURE NO. 050-0094**