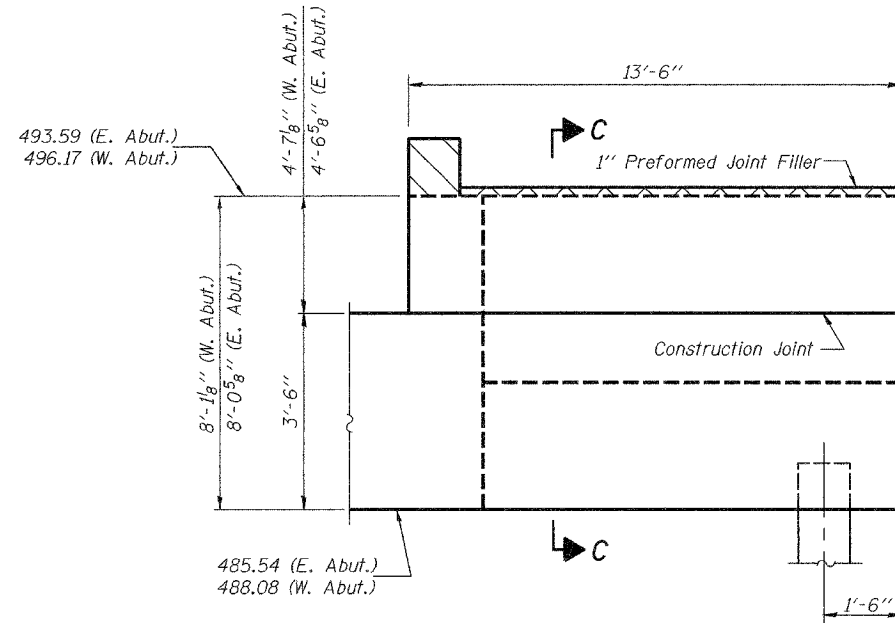


STATE OF ILLINOIS
DEPARTMENT OF TRANSPORTATION

ROUTE NO.	SECTION	COUNTY	TOTAL SHEETS	SHEET NO.
FAP 623	X-IBR	LaSalle	126	59

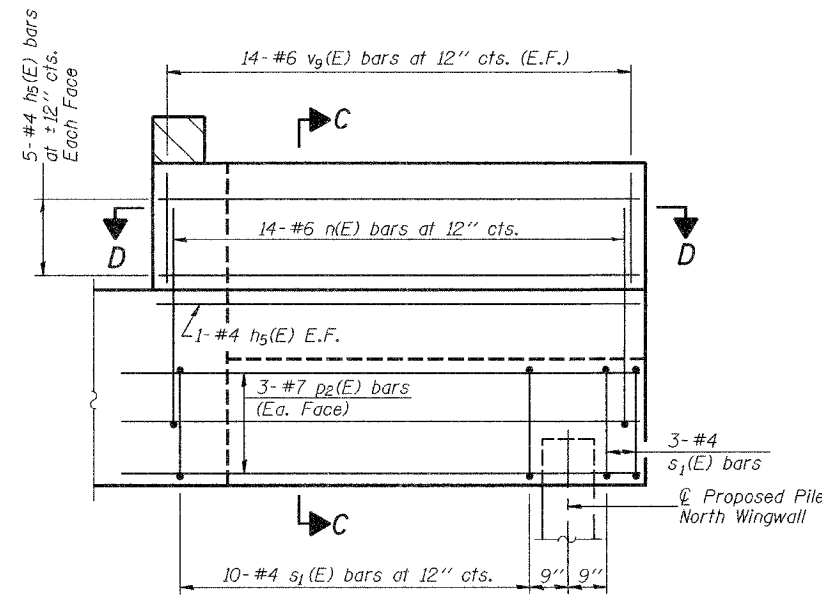
SHEET NO. 34
41 SHEETS

Contract #66617



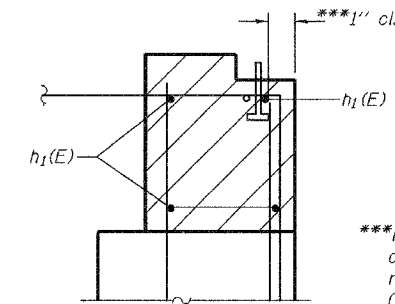
WING WALL ELEVATION

Showing Dimensions
(Looking South at Northwest wingwall)
(Northeast wingwall is similar)



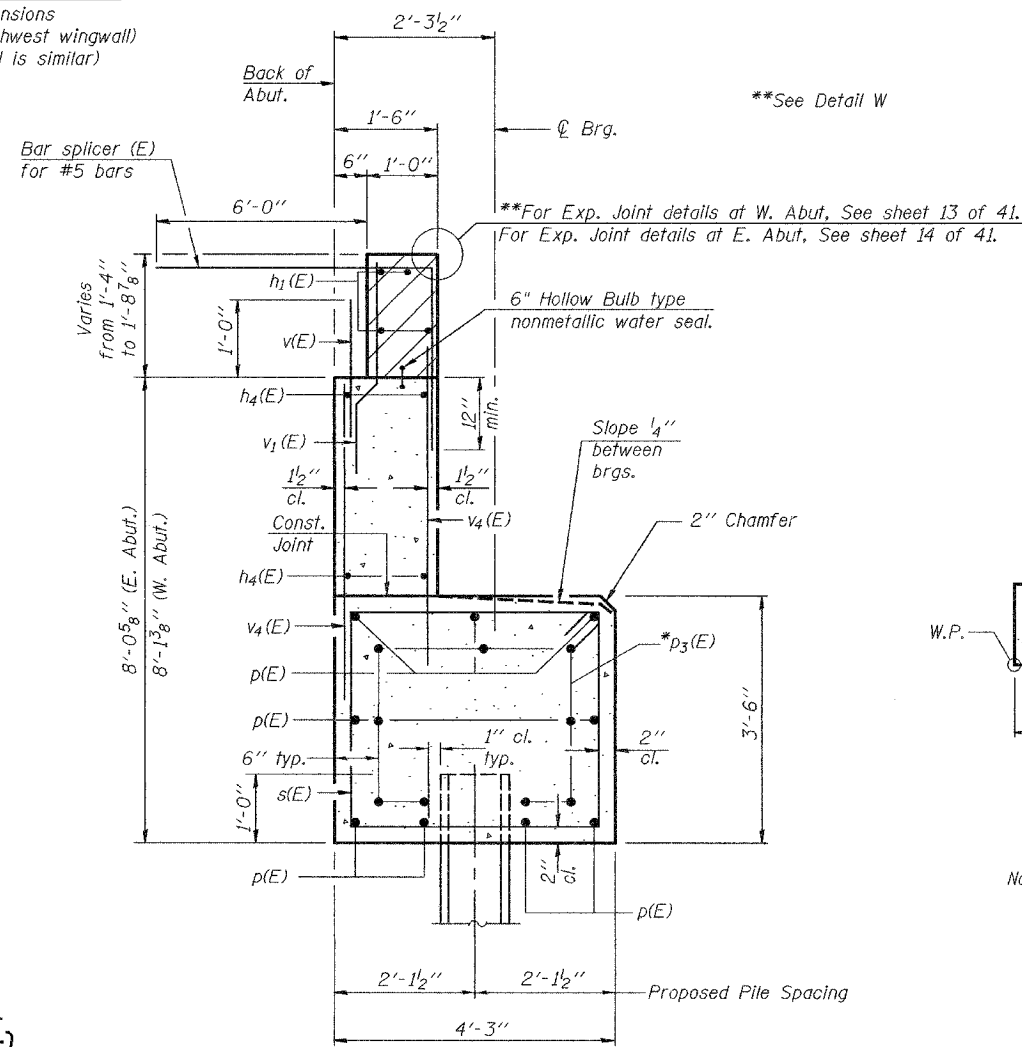
WING WALL ELEVATION

Showing Reinforcement
(Looking South at Northwest wingwall)
(Northeast wingwall is similar)



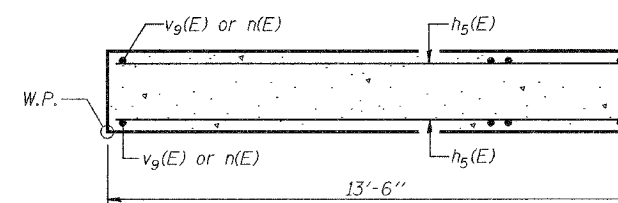
DETAIL W
(at West Abut.)

***Place $h_1(E)$ bars in back of anchor bolt as shown if required to maintain 1" cl. (+0- $\frac{1}{8}$ "'). Anchor bolts should be tied to $h_1(E)$ bars.



SECTION X-X

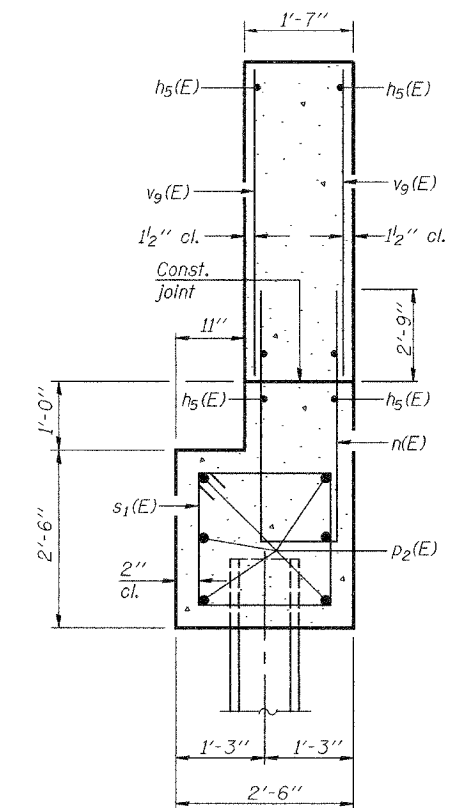
(Looking North at West Abutment)
(East Abutment is similar)



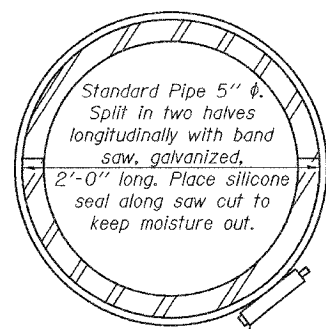
SEC. D-D

Notes:

Hatched area to be poured after superstructure forms have been removed. Quantity of concrete included with Concrete Superstructure. Space reinforcement in cap to miss anchor bolts.



SECTION C-C



Worm Drive Hose Clamp
(Stainless Steel)

STANDARD PIPE 5" ϕ

(12 required)
Cost included with Utility Attachment

DESIGNED	F.T.
CHECKED	S.M.R.
DRAWN	BECKY M. LEACH
CHECKED	F.T./S.M.R.

February 1, 2007
EXAMINED *Thomas J. Domagalicki*
ENGINEER OF BRIDGE DESIGN
PASSED *Ralph E. Anderson*
ENGINEER OF BRIDGES AND STRUCTURES

NORTH WINGWALL DETAILS
F.A.P. ROUTE 623 - SECTION X-IBR
LaSALLE COUNTY
STATION 1036+60.72
STRUCTURE NO. 050-0094

*Epoxy grout $p_3(E)$ bars in min. 9" drilled holes according to Section 584 of the Standard Specifications. Cost included with Reinforcement Bars, Epoxy Coated.