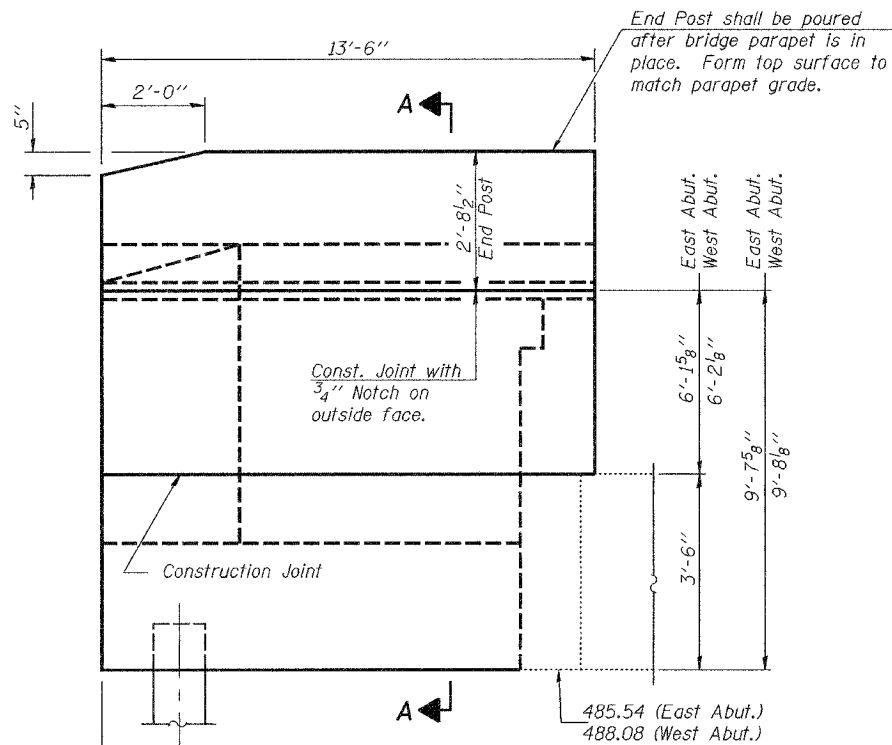


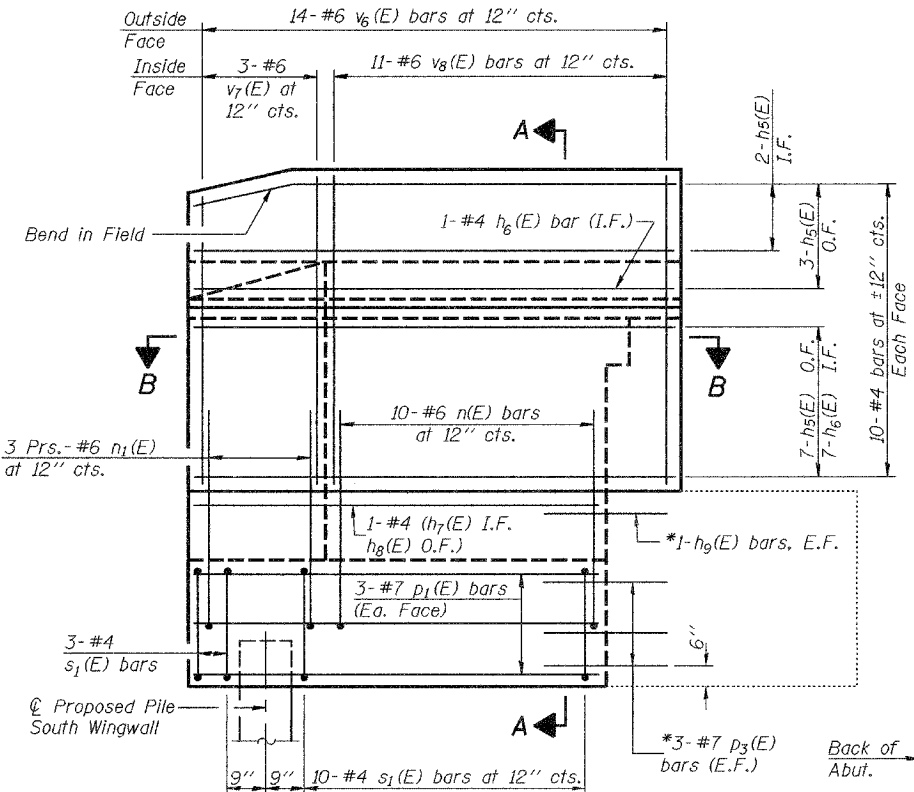
STATE OF ILLINOIS
DEPARTMENT OF TRANSPORTATION

ROUTE NO.	SECTION	COUNTY	TOTAL SHEETS	SHEET NO.	SHEET NO. 35
FAP 623	X-IBR	LaSalle	126	90	41 SHEETS
FED. ROAD DIST. NO. 7	ILLINOIS	FED. AID PROJECT			

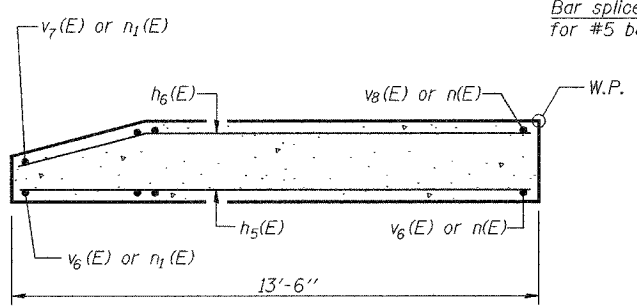
Contract #66617



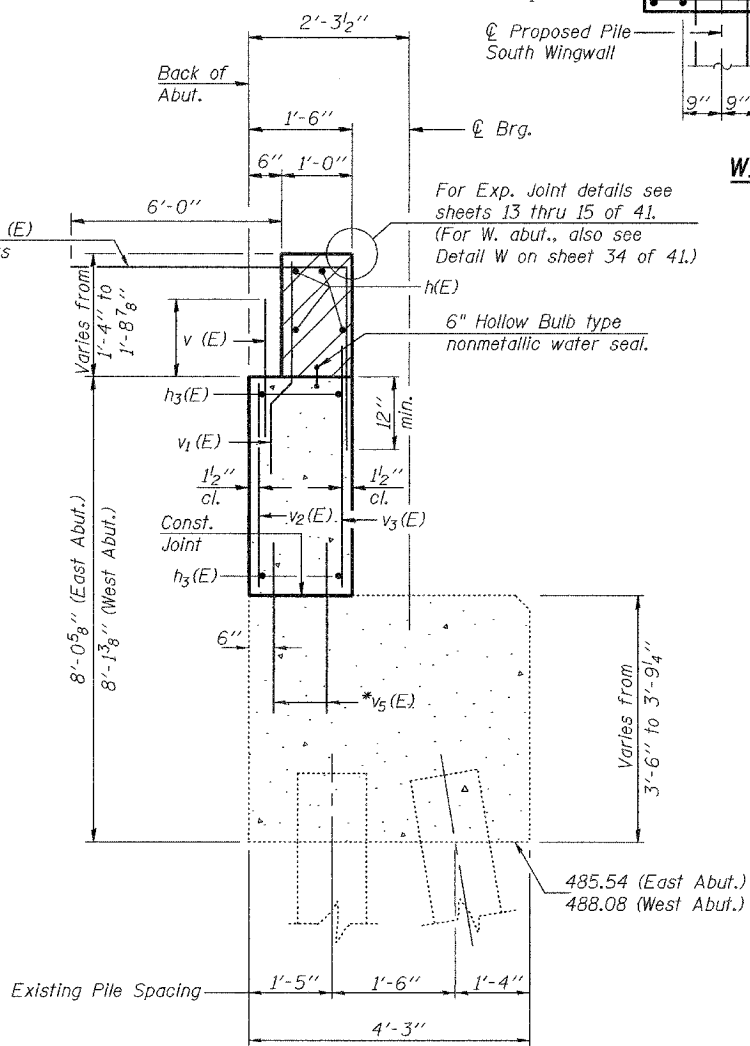
WING WALL ELEVATION
Showing Dimensions
(Looking North at Southwest Wingwall)
(Southeast Wingwall is similar)



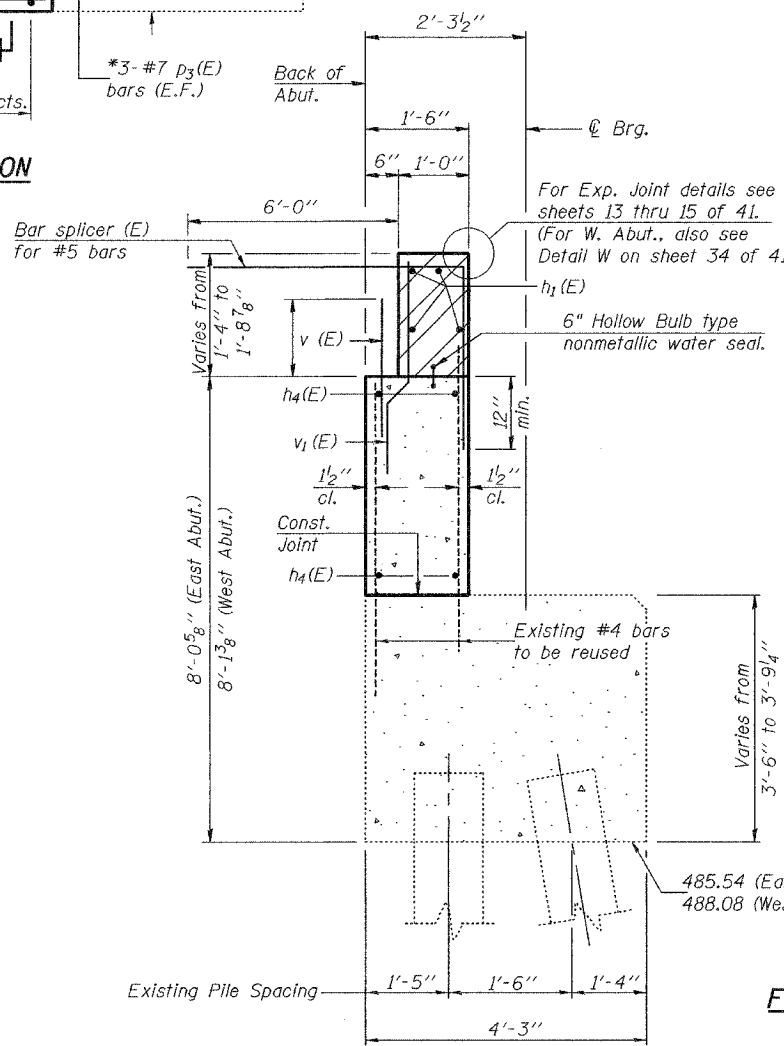
WING WALL ELEVATION
Showing Reinforcement
(Looking North at Southwest Wingwall)
(Southeast Wingwall is similar)



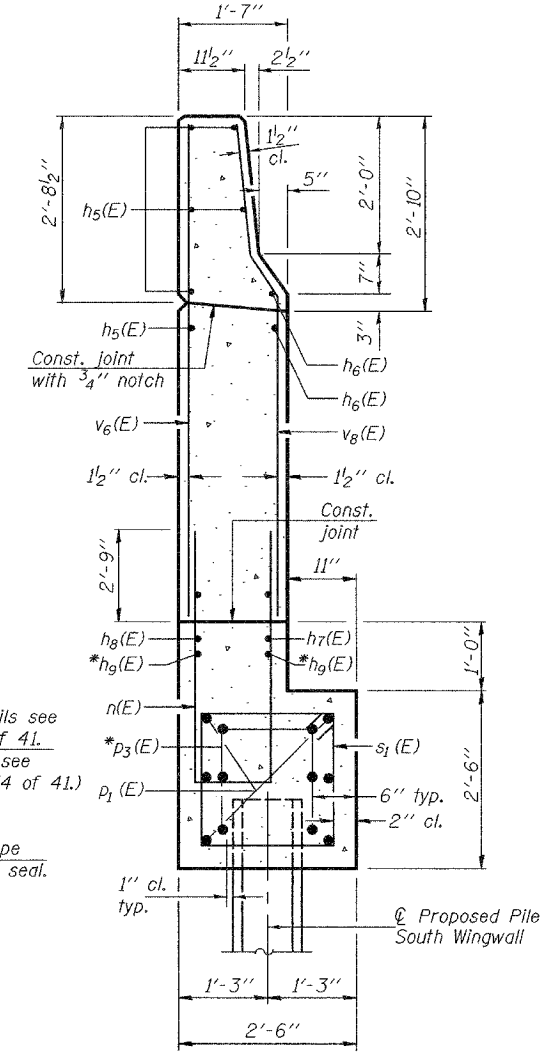
SECTION B-B



SECTION Z-Z
(Looking North at West Abutment)
(East Abutment is similar)



SECTION Y-Y
(Looking North at West Abutment)
(East Abutment is similar)



SECTION A-A

Notes:
Hatched area to be poured after superstructure forms have been removed. Quantity of concrete included with Concrete Superstructure.
Space reinforcement in cap to miss anchor bolts.
Quantity of concrete in end post included with Concrete Superstructure on sheet 12 of 41.

* Epoxy Grout h9(E), p3(E), v5(E) & v8(E) bars in 9" min. drilled holes according to Article 584 of the Standard Specifications
Cost included with Reinforcement Bars, Epoxy Coated.

DESIGNED	F.T.
CHECKED	S.M.R.
DRAWN	BECKY M. LEACH
CHECKED	F.T./S.M.R.

February 1, 2007
EXAMINED *Thomas J. Domagalaki*
ENGINEER OF BRIDGE DESIGN
PASSED *Ralph E. Anderson*
ENGINEER OF BRIDGES AND STRUCTURES

SOUTH WINGWALL DETAILS
F.A.P. ROUTE 623 - SECTION X-IBR
LaSALLE COUNTY
STATION 1036+60.72
STRUCTURE NO. 050-0094