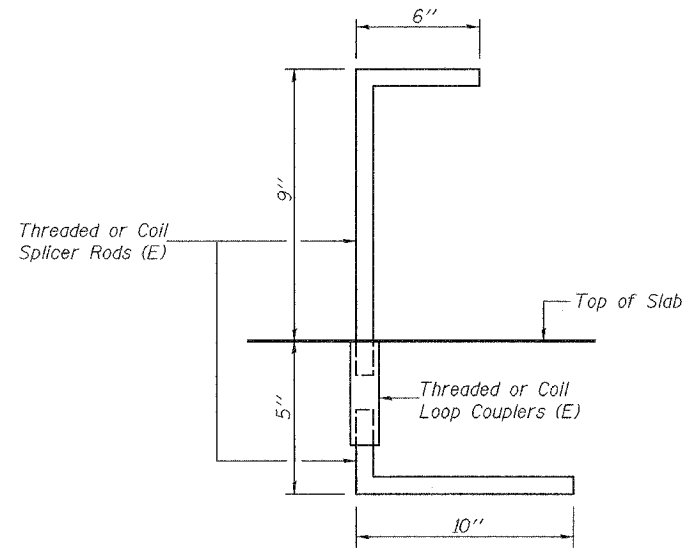


STATE OF ILLINOIS  
DEPARTMENT OF TRANSPORTATION

ROUTE NO.	SECTION	COUNTY	TOTAL SHEETS	SHEET NO.	SHEET NO. 38 41 SHEETS
FAP 623	X-IBR	LaSalle	126	93	
FED. ROAD DIST. NO. 7		ILLINOIS	FED. AID PROJECT		

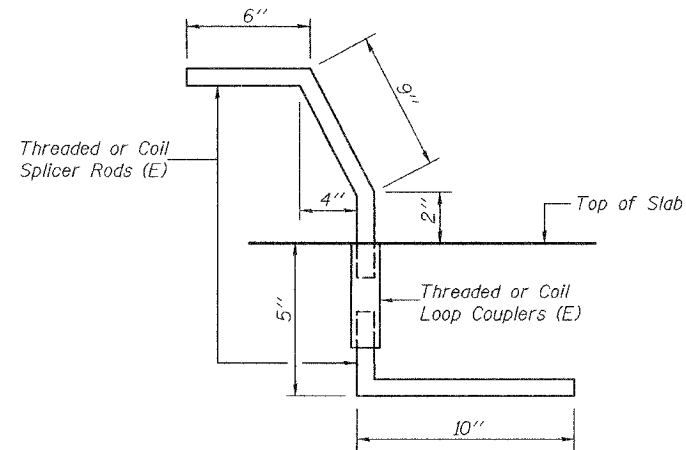
Contract #66617



**BAR SPLICER (E), TYPE II**  
**BAR ASSEMBLY DETAIL FOR #4 BAR**  
**AT NORTH PARAPET**

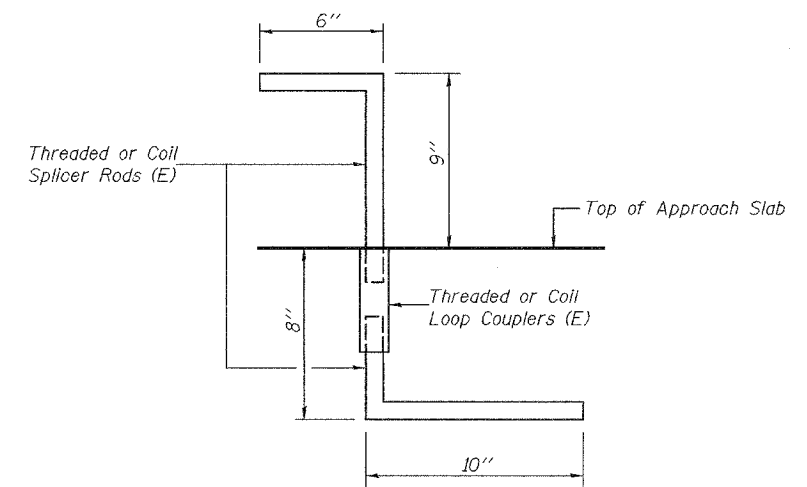
315 required

\*Quantities for these Bar Splicers are included with Bridge Approach Pavement (Special). See Roadway Plans.



**BAR SPLICER (E), TYPE I**  
**BAR ASSEMBLY DETAIL FOR #5 BAR**  
**AT NORTH PARAPET**

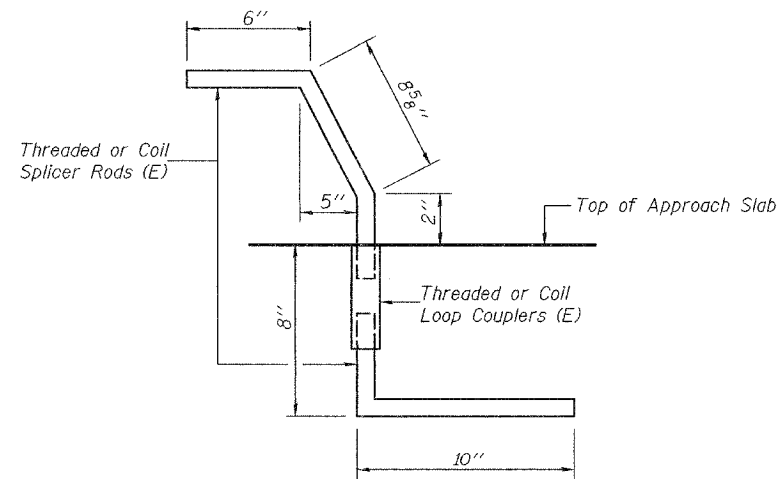
315 required



**BAR SPLICER (E), TYPE IV**  
**BAR ASSEMBLY DETAIL FOR #4 BAR**  
**AT NORTH APPROACH PARAPET**

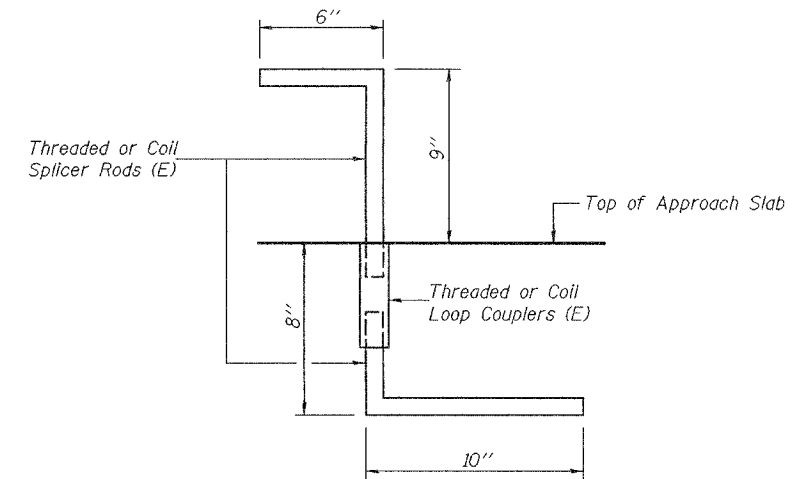
\*68 required

Note:  
The open end of the casted bar splicer shall be plugged with an insert subject to the approval of the Engineer. The insert used to plug the open end of the cast bar splicer shall allow traffic to pass over without causing vehicular damage and shall be easy to remove. Cost of inserts included with Bar Splicers. The unused half of the bar splicers shall be stored until Stage III Construction.



**BAR SPLICER (E), TYPE III**  
**BAR ASSEMBLY DETAIL FOR #5 BAR**  
**AT NORTH APPROACH PARAPET**

\*62 required



**BAR SPLICER (E), TYPE V**  
**BAR ASSEMBLY DETAIL FOR #5 BAR**  
**AT NORTH APPROACH PARAPET**

\*6 required

DESIGNED	F.T.
CHECKED	S.M.R.
DRAWN	BECKY M. LEACH
CHECKED	F.T./S.M.R.

EXAMINED	February 1, 2007
PASSED	Thomas J. Domagalaki ENGINEER OF BRIDGE DESIGN
	Ralph E. Anderson ENGINEER OF BRIDGES AND STRUCTURES

**BAR SPLICER ASSEMBLY DETAILS**  
**F.A.P. ROUTE 623 - SECTION X-IBR**  
**LaSALLE COUNTY**  
**STATION 1036+60.72**  
**STRUCTURE NO. 050-0094**