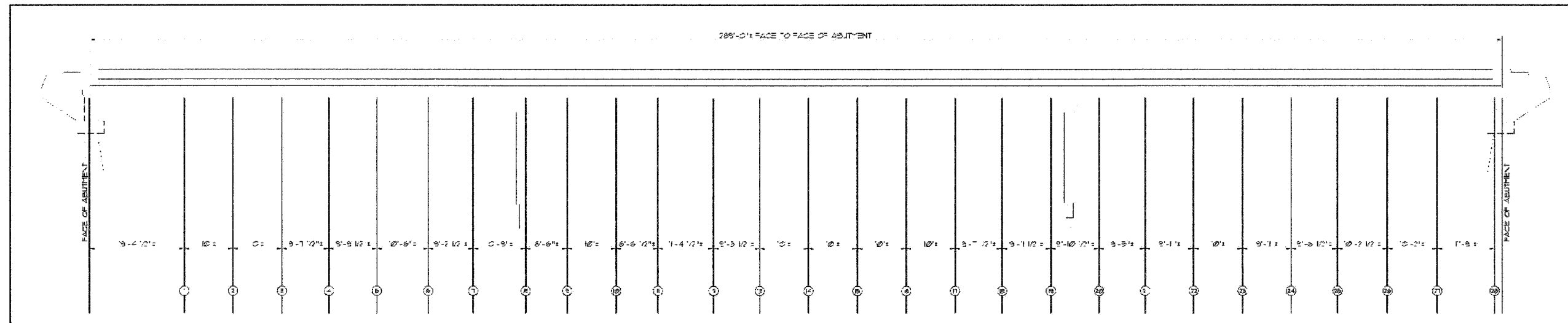


STATE OF ILLINOIS  
DEPARTMENT OF TRANSPORTATION

ROUTE NO.	SECTION	COUNTY	TOTAL SHEETS	SHEET NO.
FAP 623	X-IBR	LaSalle	126	94
FED. ROAD DIST. NO. 7	ILLINOIS	FED. AID PROJECT		

SHEET NO. 39  
41 SHEETS

Contract #66617



SEQUENCE OF WORK

- FIELD MEASURE ELEVATION OF BOTTOM OF EXISTING GROUND AND BOTTOM OF PIPE PRIOR TO STAGE I REMOVAL OF DECK
- FABRICATE TEMPORARY SUPPORTS
- REMOVE TEMPORARY SUPPORTS FOR STAGE II PRIOR TO STAGE II REMOVAL OF DECK
- CONSTRUCT STAGE II DECK WITH CAST-IN-PLACE ANCHOR DEVICES AND ATTACH NEW CHANNELS FOR PIPE SUPPORT TO NEW DECK
- REMOVE TEMPORARY PIPE SUPPORT
- PAINTING OF STRUCTURAL STEEL OF ANCHOR ATTACHMENT TO BE DONE UNDER SEPARATE CONTRACT.

NOTES

- EXISTING HORIZONTAL ATTACHMENTS BETWEEN PIPE AND GROUND SHALL REMAIN AND BE REFINISHED AS PERMANENT PIPE SUPPORT.
- LOCATE TEMPORARY PIPE SUPPORTS AS CLOSE AS PRACTICAL TO EXISTING HANGERS AT HANGER T-SPLTS. PROVIDE TEMPORARY GRIPERS FROM GROUND FOR HANGERS.
- STEEL SHAPES AND PLATES SHALL BE CONFORM TO THE REQUIREMENTS OF AISC-136 2ND EDITION.
- BOLTS AND NUTS SHALL CONFORM TO THE REQUIREMENTS OF AISC-136 2ND EDITION. FOR 4-8\"/>

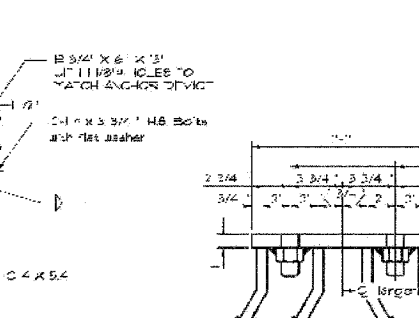
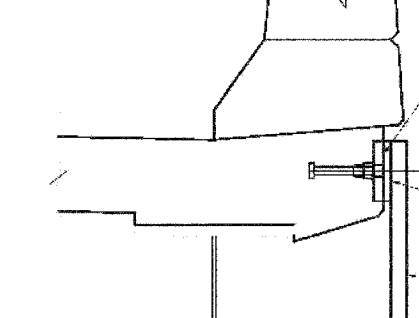
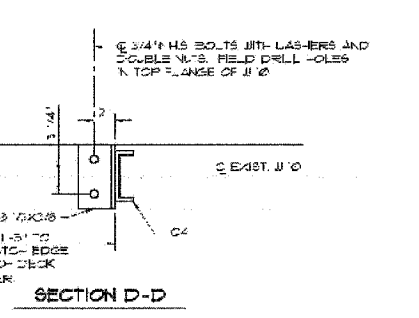
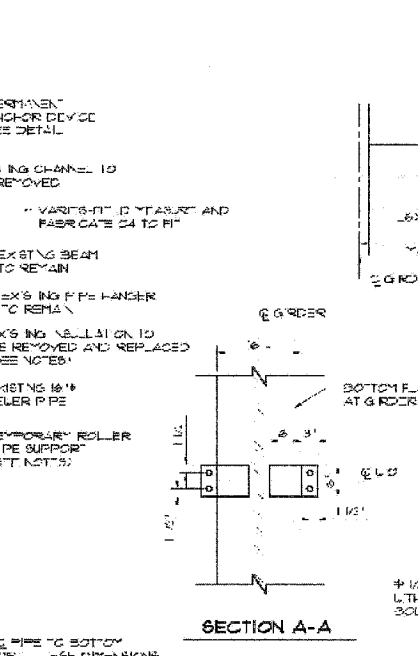
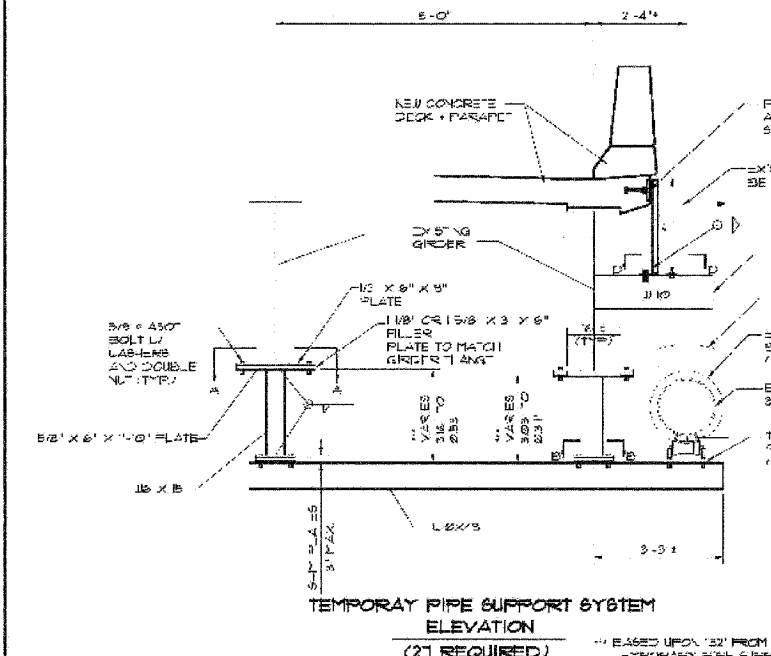
- ANCHOR DEVICE EMBEDDED IN CONCRETE SHALL BE GALVANIZED AFTER SHOP FABRICATION ACCORDING TO AASHTO M118 AND AISC 308B.
- 24 X 24 ANGLES AND PLATES TO REMAIN AS PART OF PERMANENT HANGER SHALL BE GALVANIZED ACCORDING TO AASHTO M118.
- EXISTING PIPE INSULATION SHALL BE REMOVED TO 2\"/>

ELEVATION  
LOOKING NORTH

- TEMPORARY ROLLER PIPE SUPPORT SHALL INCLUDE AN INSULATION PROTECTION BARRIER AND SHALL CONFORM WITH FEDERAL SPECIFICATION FOR ADJUSTABLE OR FIXED ROLLER SUPPORTS AND SHALL BE INSTALLED IN ACCORDANCE WITH MANUFACTURER'S SPECIFICATIONS/RECOMMENDATIONS.
- THE WORK TO TURN OFF, INSTALL AND REMOVE TEMPORARY PIPE SUPPORT SYSTEM AND TO REMOVE AND INSTALL NEW ANCHOR DEVICE SYSTEM WILL BE PAID FOR AT THE CONTRACT LUMP SUM PRICE FOR UTILITY ATTACHMENT.

- ESTIMATED WEIGHT OF THE ATTACHMENTS ARE:
- |                              |         |
|------------------------------|---------|
| 5\"/>                        |         |
| 6\"/>                        |         |
| INSULATION                   | 12\"/>  |
| EXISTING PIPE HANGERS (EST.) | 218\"/> |
| TOTAL                        | 268\"/> |

- EXISTING PIPE HANGER NUMBER 4



DRAWN BY: ARR	CAD/DWG: DETAIL	REVISIONS
CHICKLID BY: JKC	DATE: 7/05	DATE BY

CHAMLEY & ASSOCIATES  
PERU MORRIS ILLINOIS

U.S. ROUTE 6 OVER LITTLE  
VERMILION, 2003

SANITARY SEWER PIPE SUPPORTS  
AND DETAILS

SCALE: AS NOTED	SHEET 1
ILL. NO.: 11440.00-1	OF 1