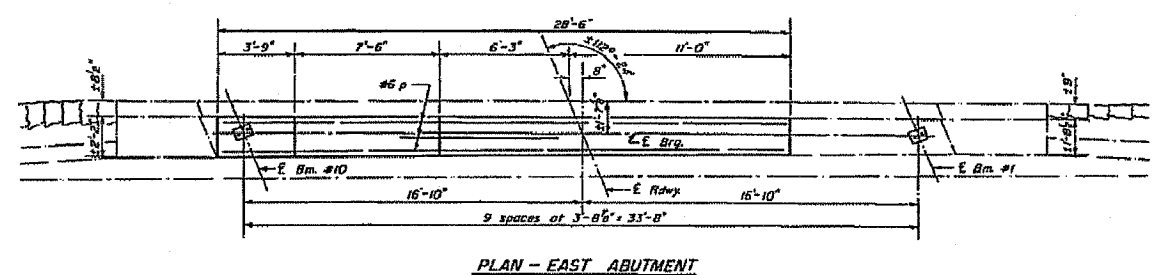
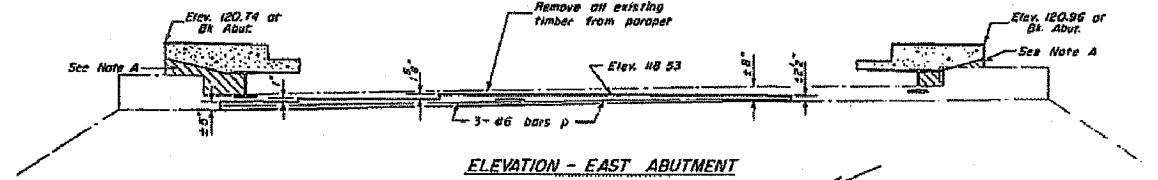
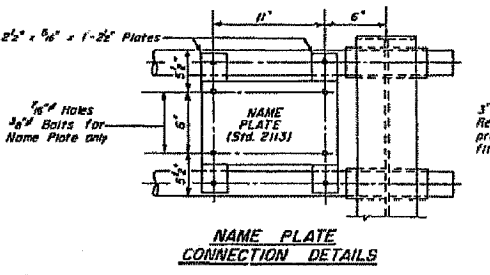
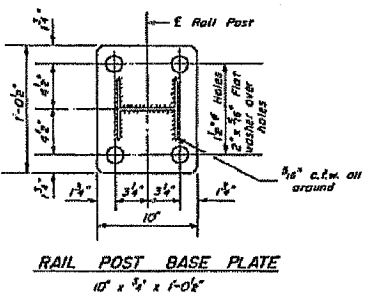
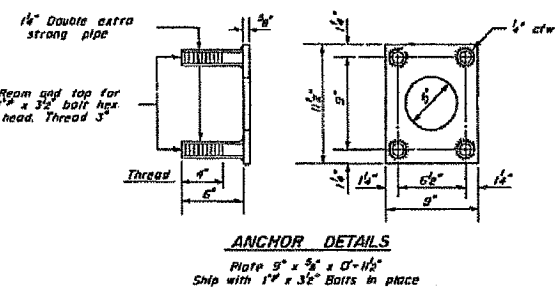
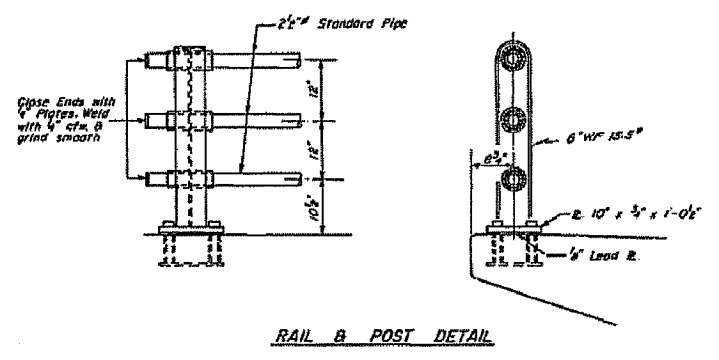
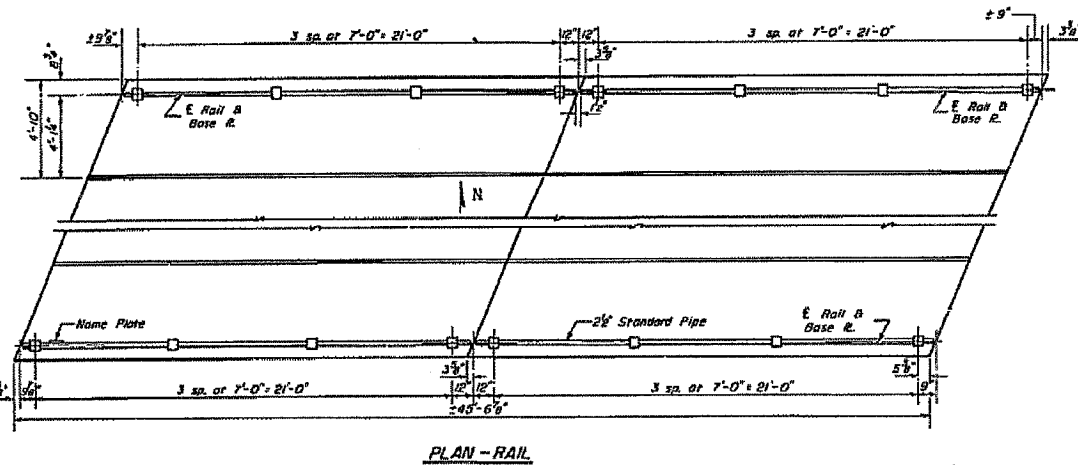
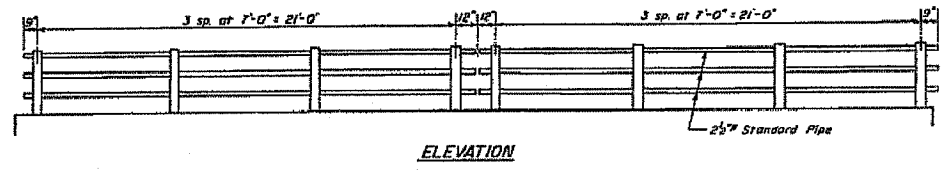


F.A.P. RTE.	SECTION	COUNTY	TOTAL SHEETS	SHEET NO.
623		LASALLE	126	102
STA.	TO STA.			
FED. ROAD DIST. NO.	ILLINOIS FED. AID PROJECT			
*(34)R, DM & (X-1)RS, & BR				

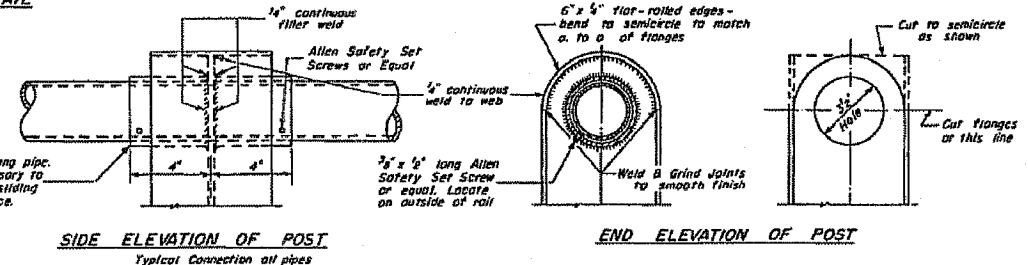
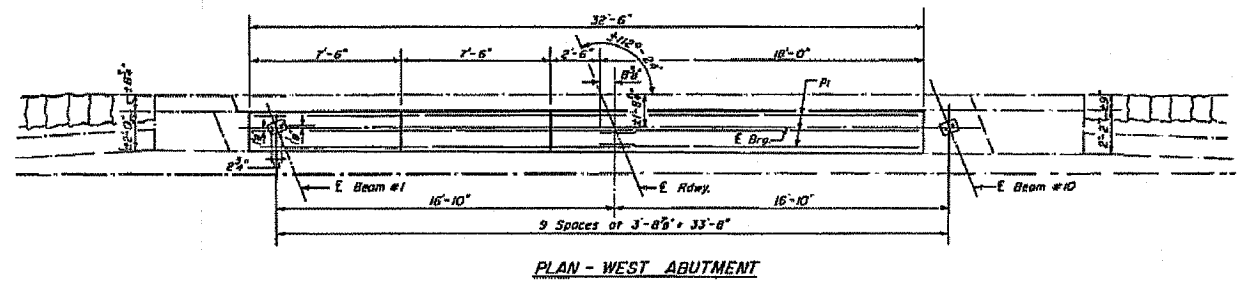
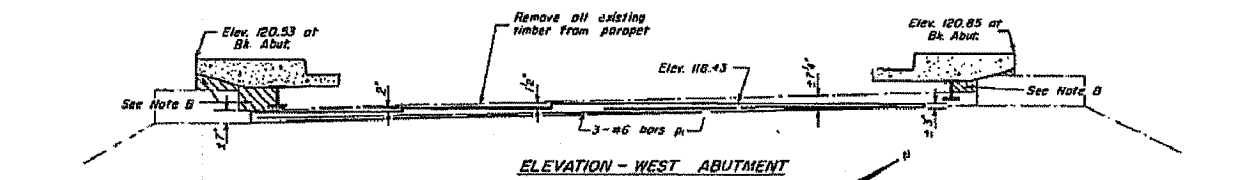
STATE OF ILLINOIS
DEPARTMENT OF PUBLIC WORKS & BUILDINGS
DIVISION OF HIGHWAYS

DATE	BY	CHKD.	APP'D.	SHEET NO.
3-1-10	La Salle	RL	LD	4 SHEETS



NOTE A: Hatched Area to be filled in full width of existing parapet & pour with super-structure. Between Beams see Section B-B (Sh. 2-1)

NOTE B: Hatched Area to be filled in full width of existing parapet & pour with super-structure. Between Beams see Section A-A (Sh. 2-1)



Material	Handrail	Lin. Ft.	91
----------	----------	----------	----

DESIGNED: *James J. Whiting*
 CHECKED: *R. D. Sanderson*
 DRAWN: *W. A. Szymanski*
 CHECKED: *James J. Whiting*

EXAMINED: *March 3 1958*
 PASSED: *[Signature]*
 APPROVED: *[Signature]*

ABUTMENTS & HANDRAIL
I.C. RR OVERHEAD
S.B.T. RT. 7 SECTION 34-1
LA SALLE COUNTY
STATION 57+67.42

FOR INFORMATION ONLY
EXISTING SN 050-0095