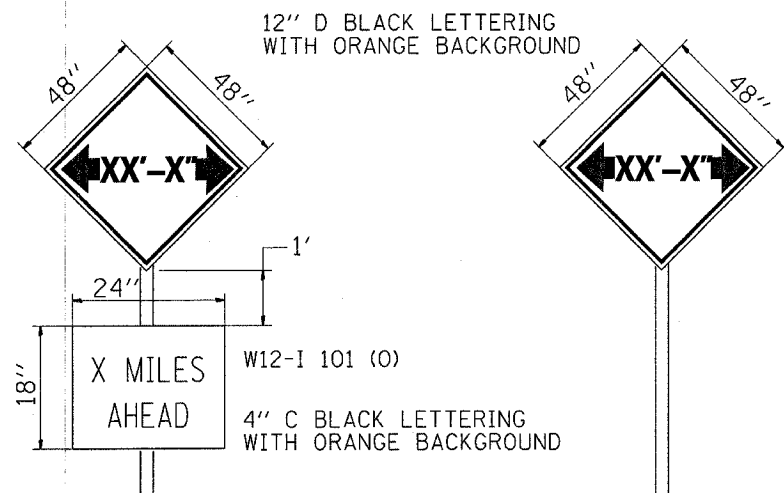


F.A.P. RTE.	SECTION	COUNTY	TOTAL SHEETS	SHEET NO.
623		LASALLE	126	105
STA.		TO STA.		
FED. ROAD DIST. NO.		ILLINOIS FED. AID PROJECT		

\*(34)R,DM&(X-1)RS&BR



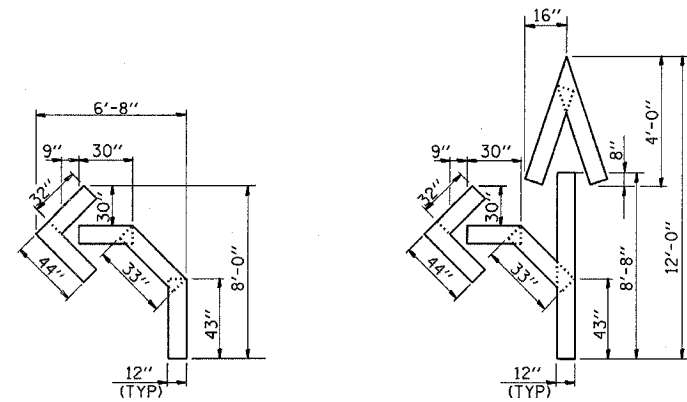
TO BE POST MOUNTED AS SHOWN ELSEWHERE IN THE PLANS.

THE ENGINEER WILL NOTIFY DISTRICT 3 BUREAU OF OPERATIONS 14 CALENDAR DAYS PRIOR TO INSTALLING ANY TRAFFIC CONTROL DEVICES THAT WILL RESTRICT THE PAVEMENT WIDTH.

THE CONTRACTOR SHALL BE RESPONSIBLE FOR COORDINATING WITH THE ENGINEER TO MEET THIS REQUIREMENT.

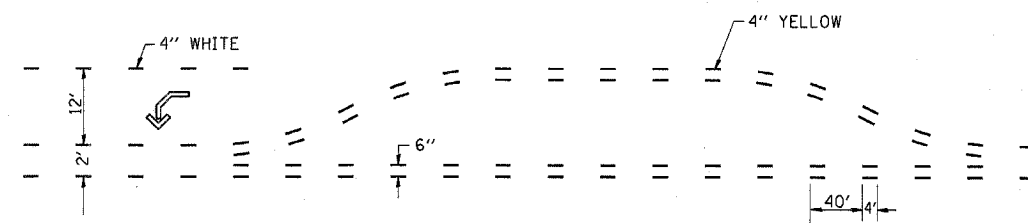
COST OF SUPPLYING, INSTALLING, MAINTAINING AND REMOVING WIDTH RESTRICTION SIGNS SHALL BE INCLUDED IN THE COST OF THE TRAFFIC CONTROL AND PROTECTION PAY ITEMS.

**WIDTH RESTRICTION SIGNING DETAILS**

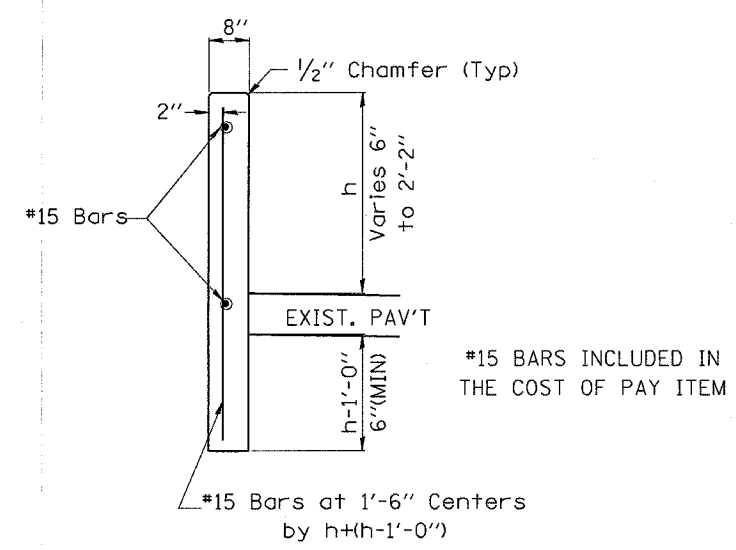


QUANTITY  
12" LINE = 16 LIN. FT.  
OR 4" LINE = 48 LIN. FT.

QUANTITY  
12" LINE = 29 LIN. FT.  
OR 4" LINE = 87 LIN. FT.



**SHORT-TERM PAVEMENT MARKING FOR MEDIANS AND ARROWS**



#15 BARS INCLUDED IN THE COST OF PAY ITEM

**RETAINING WALL @ CENTRAL STREET**

REVISIONS	
NAME	DATE

ILLINOIS DEPARTMENT OF TRANSPORTATION

**DETAILS**

SCALE: VERT. DATE  
HORIZ. DATE  
DRAWN BY  
CHECKED BY