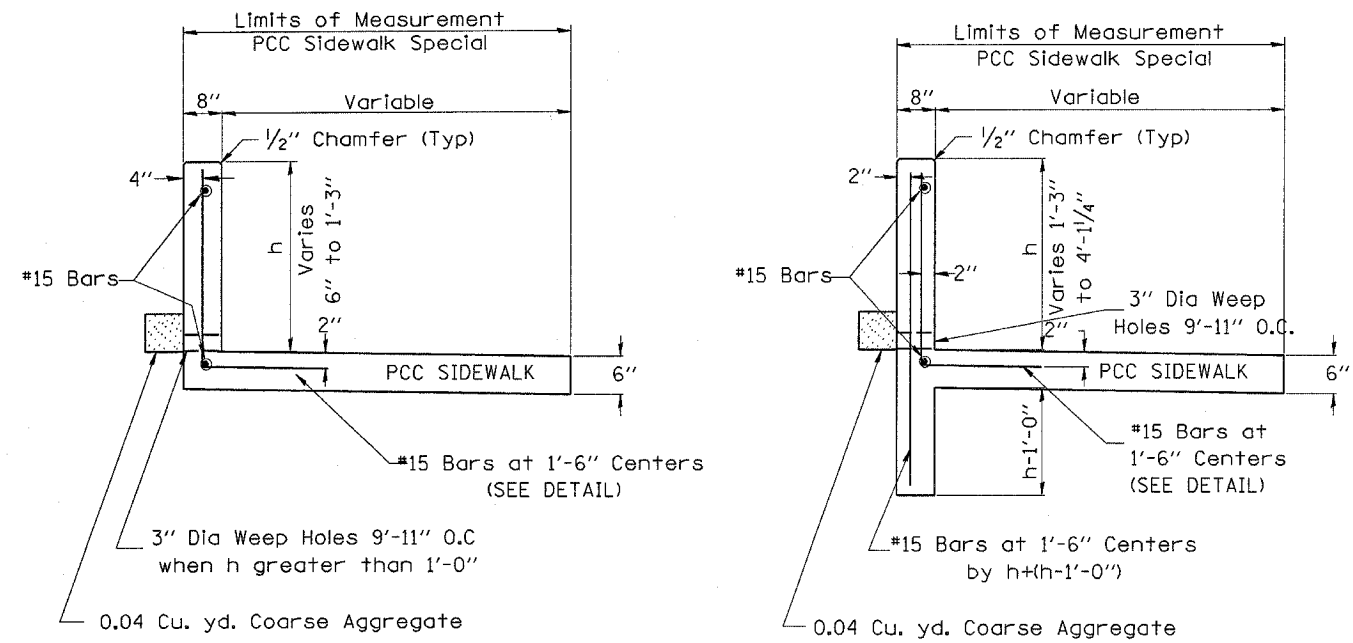


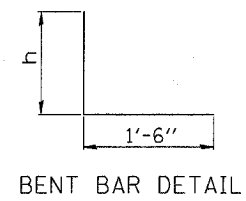
F.A.P. RTE.	SECTION	COUNTY	TOTAL SHEETS	SHEET NO.
623	*	LASALLE	126	107
STA.		TO STA.		
FED. ROAD DIST. NO.		ILLINOIS FED. AID PROJECT		

* (34)R,DM&X-DRS&BR



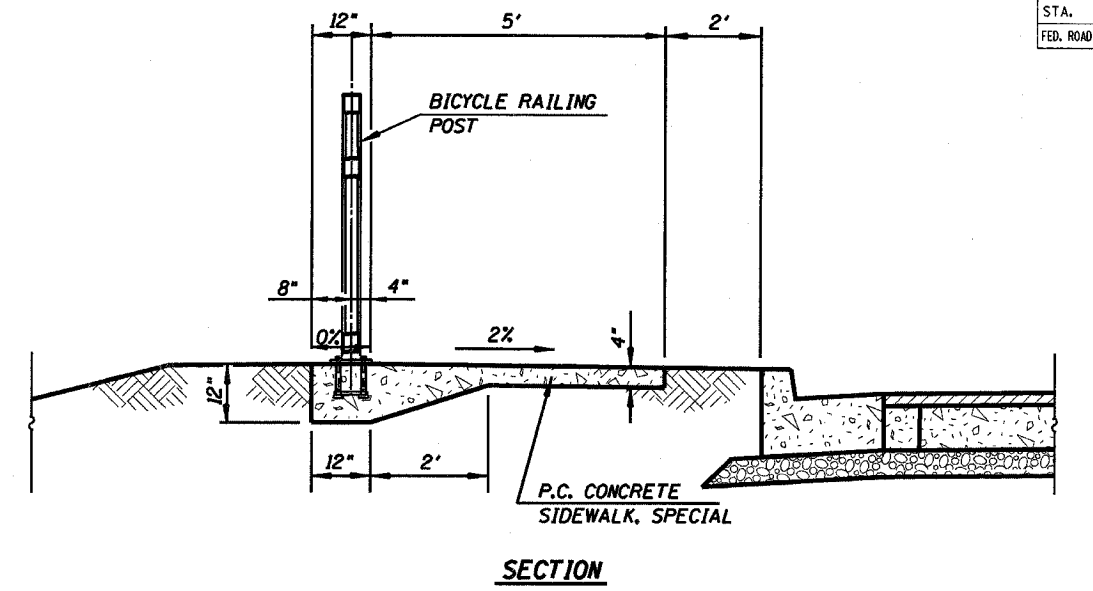
TYPE 1

TYPE 2

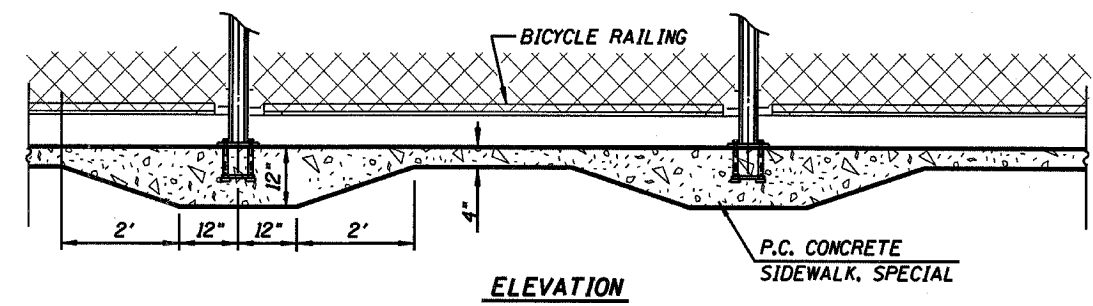


PCC SIDEWALK SPECIAL 6" WITH RETAINING WALL

NOTE: REINFORCEMENT INCLUDED IN THE COST OF PCC SIDEWALK 6" WITH RETAINING WALL

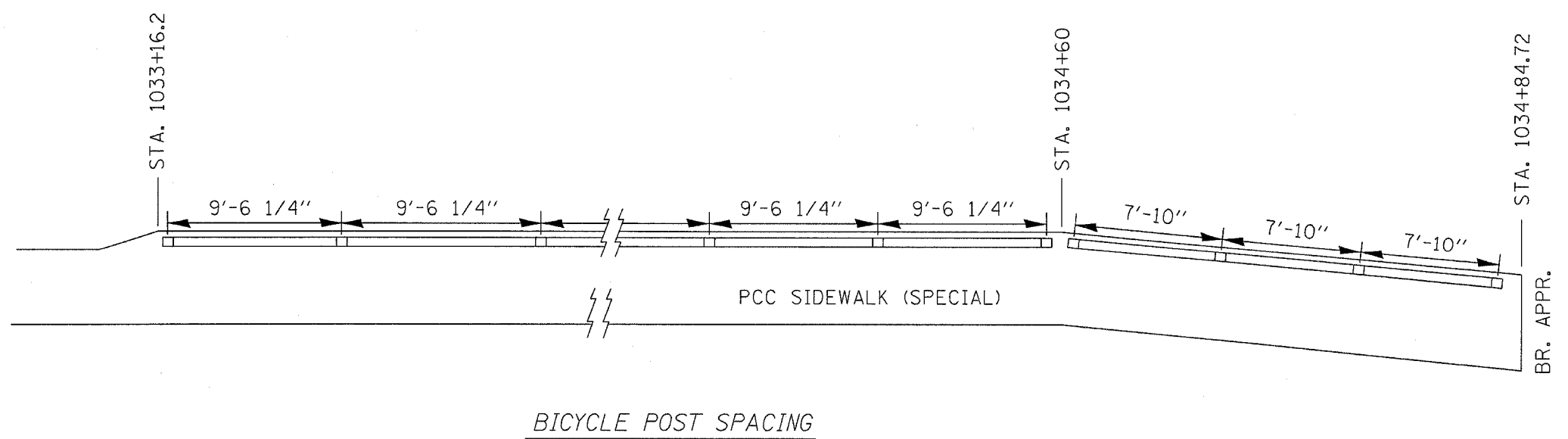


SECTION



ELEVATION

NOTE: THESE REPRESENT MINIMUM SIDEWALK THICKNESS AND TAPER REQUIREMENTS. CONTRACTOR MAY OPT TO THICKEN THE SIDEWALK UNDER THE BICYCLE RAILING, ROADWAY TO 12", THE FULL LENGTH, FOR EASE OF CONSTRUCTION.



BICYCLE POST SPACING

REVISIONS	
NAME	DATE

ILLINOIS DEPARTMENT OF TRANSPORTATION

DETAILS

SCALE: VERT. HORIZ. DATE

DRAWN BY CHECKED BY