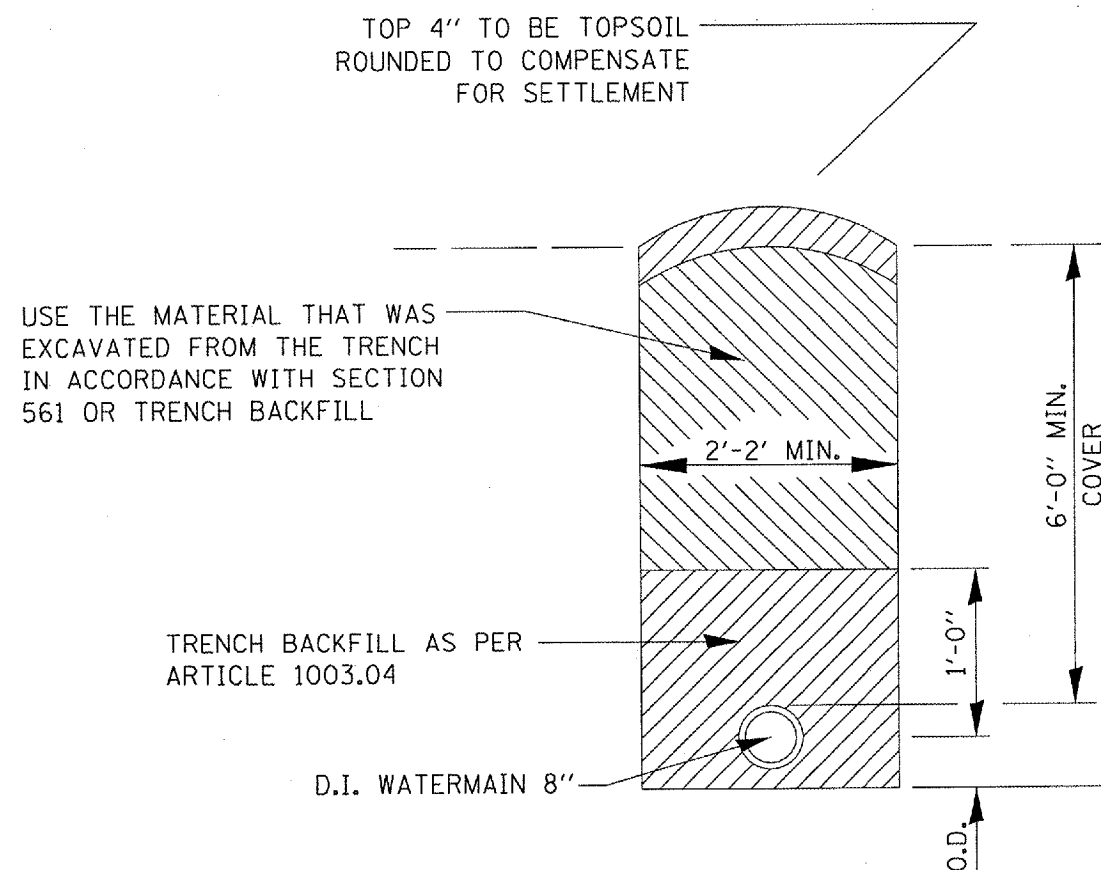
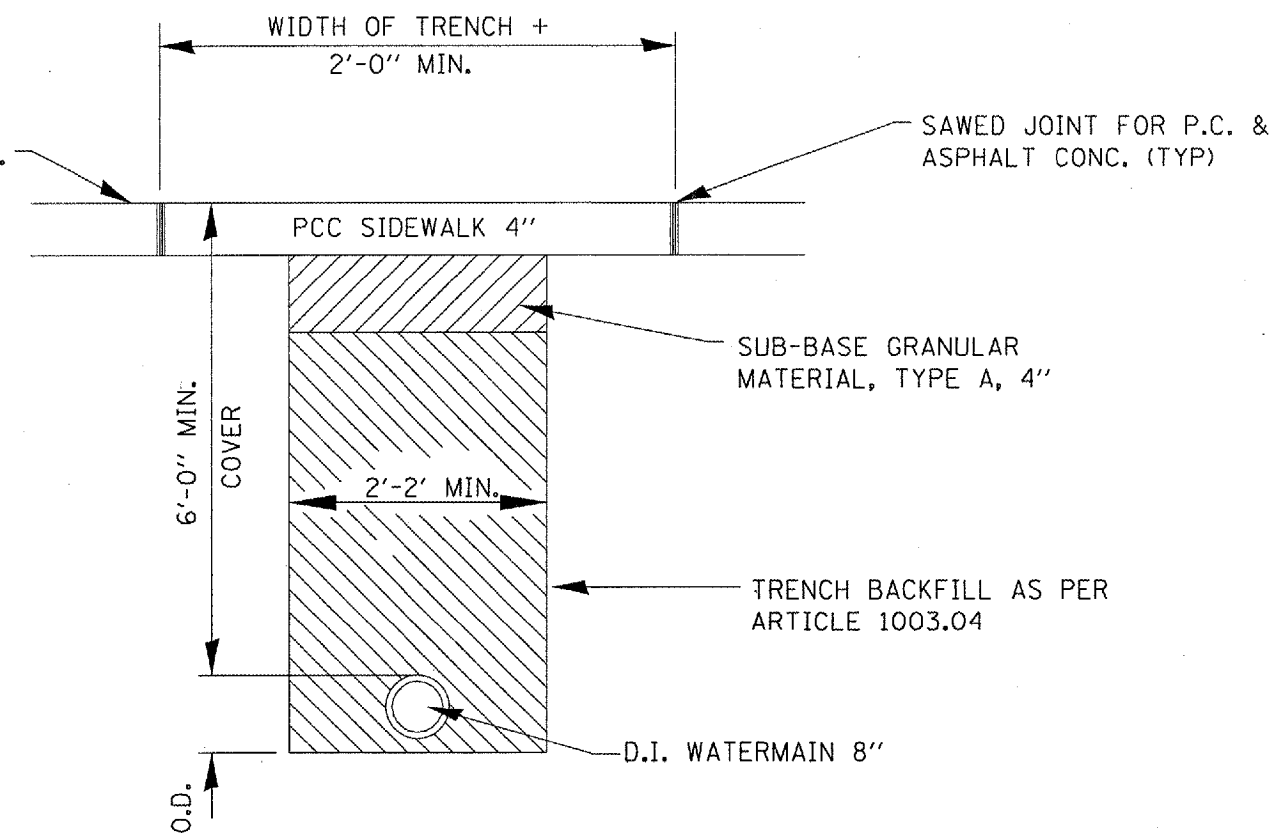


F.A.I. RTE.	SECTION	COUNTY	TOTAL SHEETS	SHEET NO.
80	32,47-4RA-2	GRUNDY	19	18
FED. ROAD DIST. NO.		ILLINOIS	STATE AID PROJECT	



METHOD I

(FOR BACKFILLING IN UNIMPROVED AREAS)



METHOD II

(FOR BACKFILLING ACROSS P.C. CONCRETE, ASPHALT CONCRETE & OIL CHIP SURFACES)

GENERAL NOTES

1. ANY SOFT OR SPONGY MATERIAL ENCOUNTERED BELOW THE ELEVATION OF THE PIPE SHALL BE REMOVED AND REPLACED WITH WELL COMPACTED MOIST FINE AGGREGATE.
2. ANY ROCK ENCOUNTERED IN THE TRENCH SHALL BE REMOVED TO A DEPTH OF AT LEAST 8 INCHES (8") BELOW THE PIPE GRADE AND REPLACED WITH WELL COMPACTED MOIST FINE AGGREGATE.
3. THE SIDES OF THE TRENCH MAY BE SLOPED OR BENCHED ABOVE A FIVE FOOT (5') TRENCH DEPTH OR ABOVE THE ELEVATION OF THE TOP OF PIPE, WHICHEVER IS GREATER, IN LIEU OF COMPLETE SHORING OR SHEETING OF THE FULL TRENCH DEPTH.

REVISIONS	
NAME	DATE

ILLINOIS DEPARTMENT OF TRANSPORTATION
TRENCH BACKFILL DETAILS
 F.A.I. ROUTE 80
 SECTION (32,47-4)RA-2
 GRUNDY COUNTY

DATE: 10/12/2006
C:/projects/rest area/three rivers/details.dgn