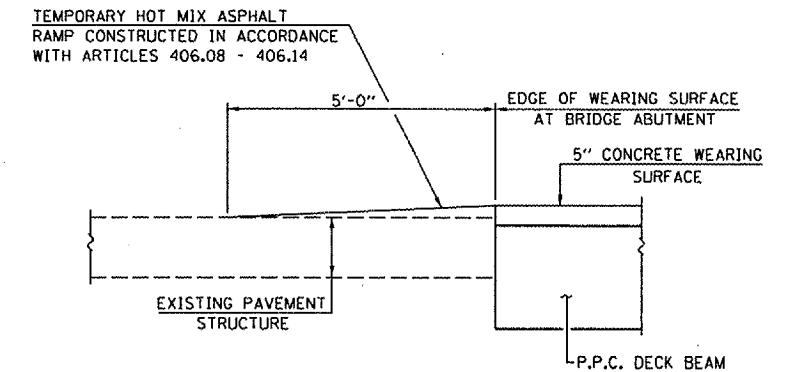
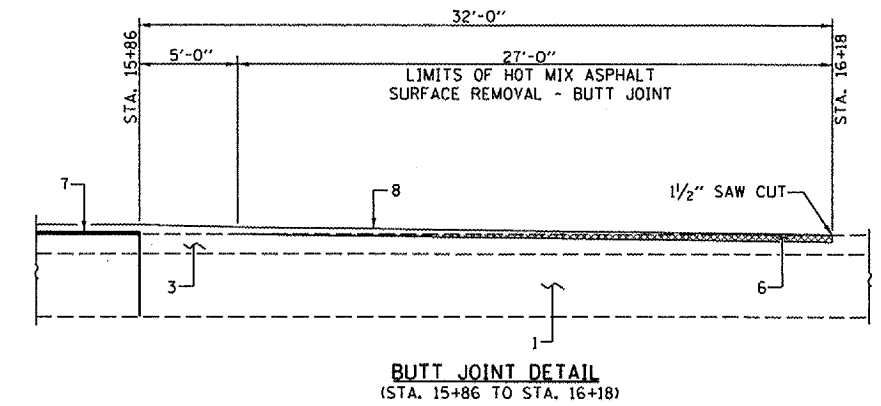
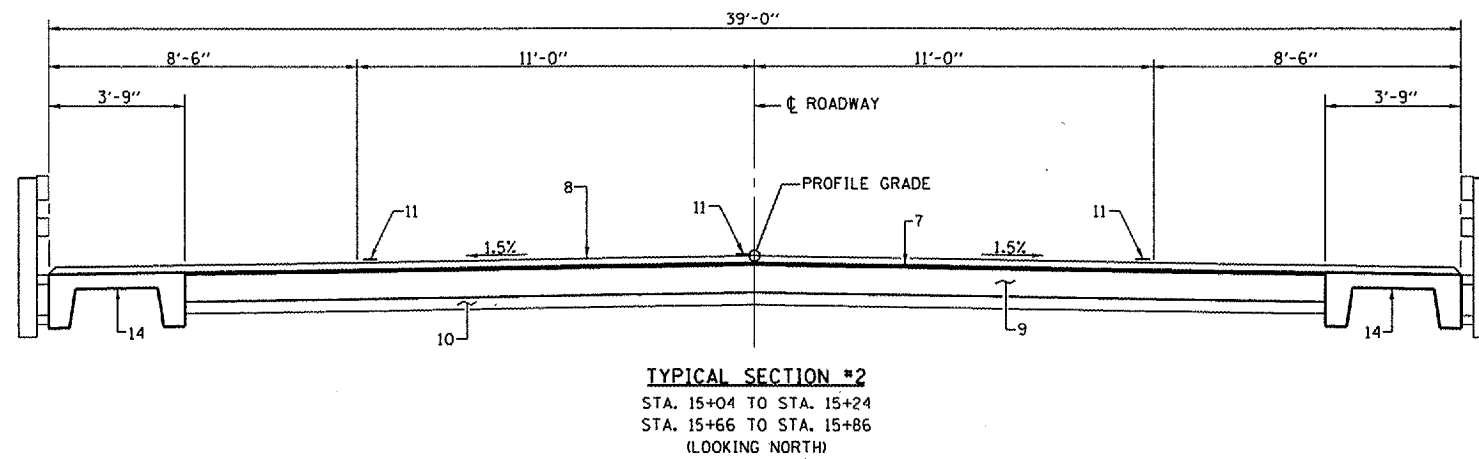
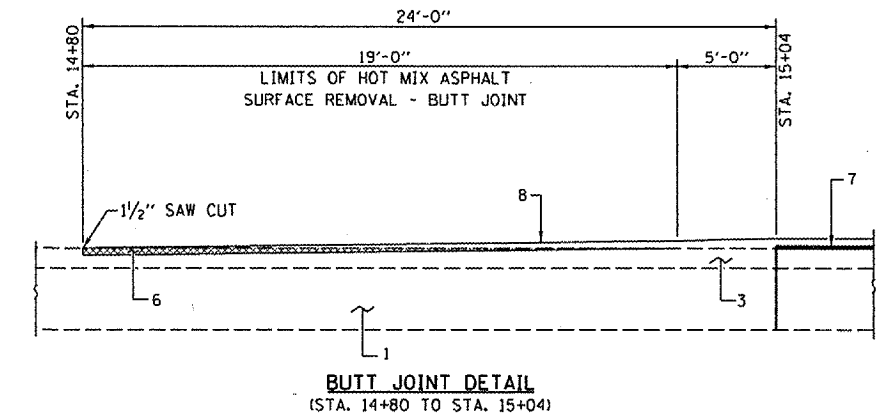
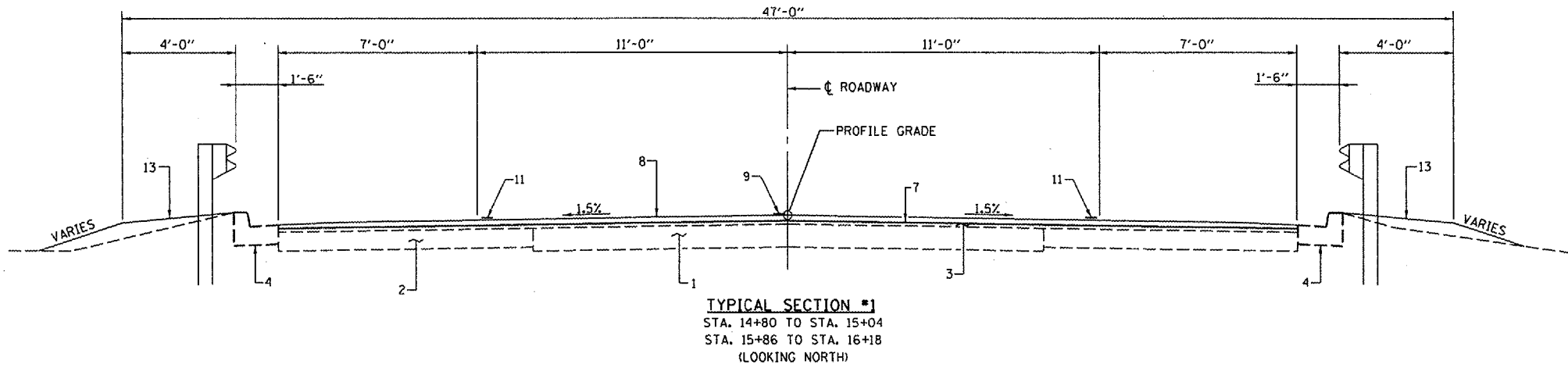


| F.A.P. RTE. | SECTION | COUNTY | TOTAL SHEETS | SHEET NO. |
|--------------------------|---------|---|--------------|-----------|
| 702 | (113B) | WOODFORD | 38 | 4 |
| STA. 13+30 TO STA. 17+00 | | FED. ROAD DIST. NO. 4 (ILLINOIS FED. AID PROJECT) | | |



PAVEMENT LEGEND

1. EXISTING P.C.C. PAVEMENT
2. EXISTING P.C.C. BASE COURSE WIDENING 8"
3. EXISTING HOT MIX ASPHALT OVERLAY
4. EXISTING TYPE B-6.12 CONCRETE CURB & GUTTER
5. EXISTING PRECAST CONCRETE BRIDGE SLAB
6. PROPOSED HOT MIX ASPHALT SURFACE REMOVAL - BUTT JOINT
7. PROPOSED LEVELING BINDER (MACHINE METHOD), N50 (MIN. 3/4")
8. PROPOSED HOT MIX ASPHALT SURFACE COURSE, MIX "C", N50 (1/2")
9. PROPOSED P.C.C. PAVEMENT 9"
10. PROPOSED SUB-BASE GRANULAR MATERIAL TYPE A 4"
11. PROPOSED PAINT PAVEMENT MARKING - LINE 4" (STRIPE FOR 11'-0" LANE)
12. PROPOSED TEMPORARY PAVEMENT MARKING LINE - 4"
13. PROPOSED EARTH SHOULDER
14. PROPOSED PROPOSED CONCRETE BRIDGE SLAB

DETAILS AND TYPICAL ROADWAY SECTIONS
 ILL. ROUTE 117 OVER WALNUT CREEK
 F.A.P. RTE. 702 - SECTION (113B)
 WOODFORD COUNTY
 STA. 15+45.00
 S.N. 102-0018