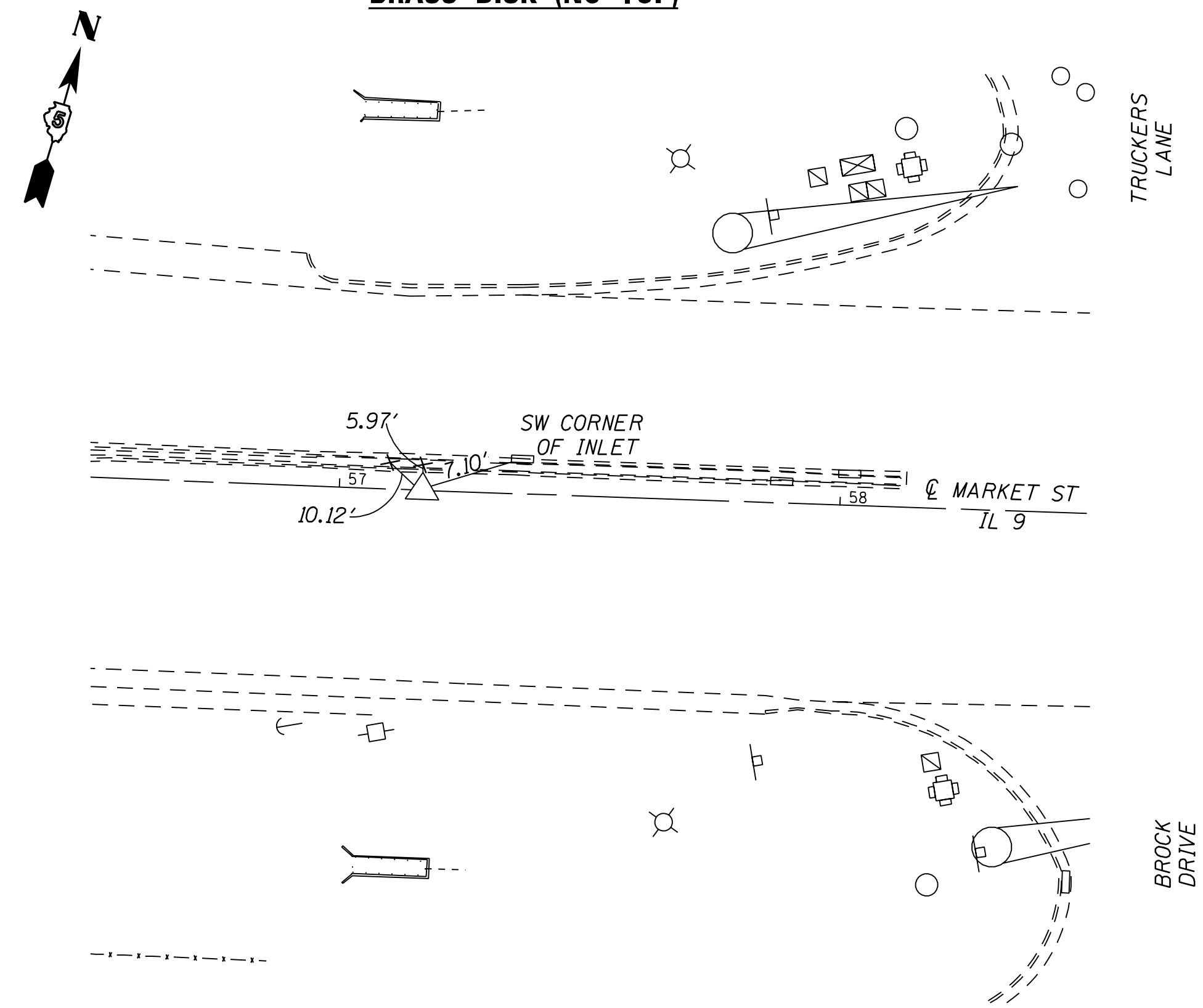


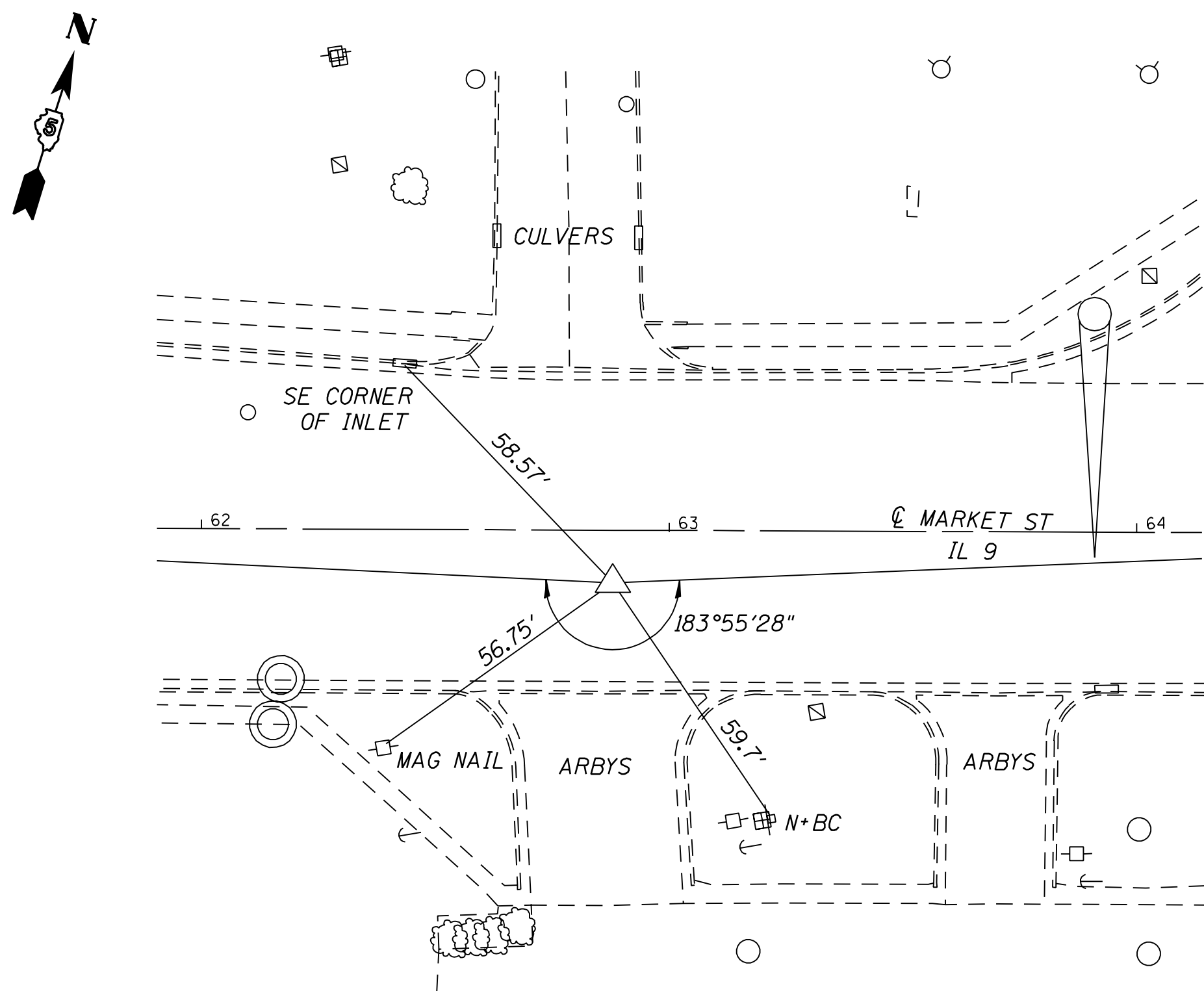
F.A.P. RTE.	SECTION	COUNTY	TOTAL SHEETS	SHEET NO.
693	129 B-2	MCLEAN	34	7
FED. ROAD DIST. NO.		ILLINOIS	FED. AID PROJECT	

CONTRACT NO. 70519

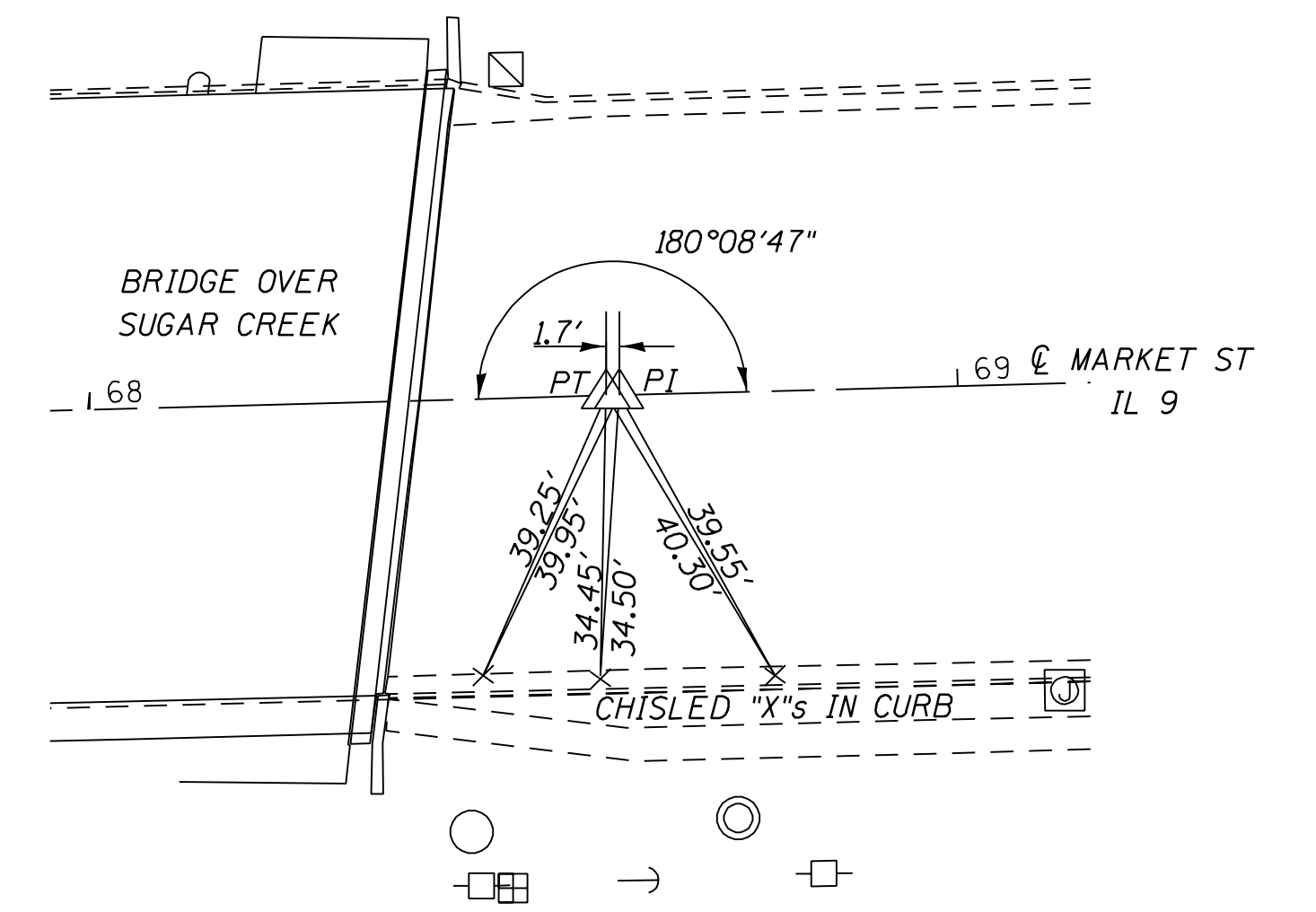
PC STA. 57+18.76 BK = 57+05.81 AH
BRASS DISK (NO TOP)



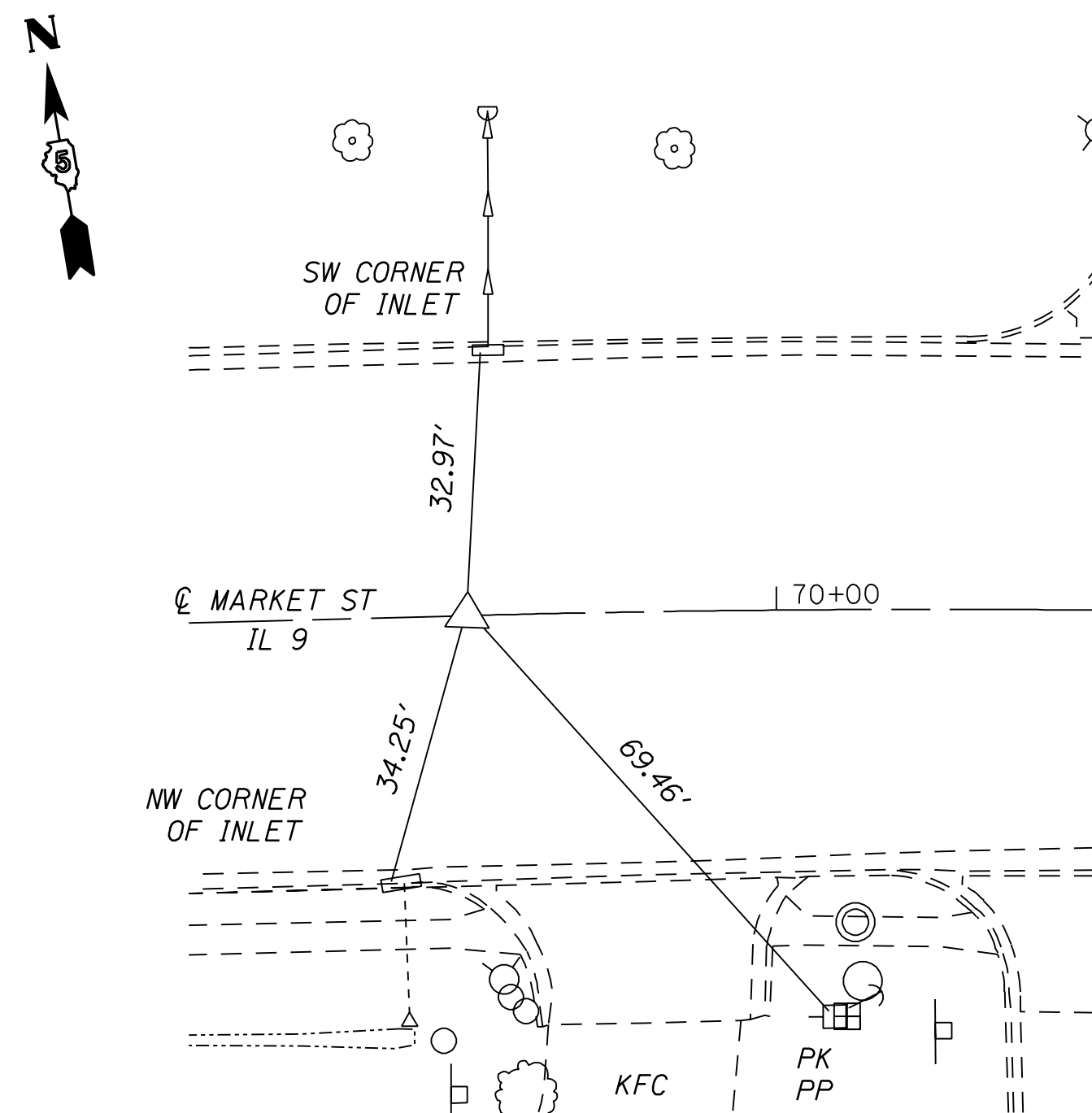
PI STA. 62+88.09
ALUMINUM DISK



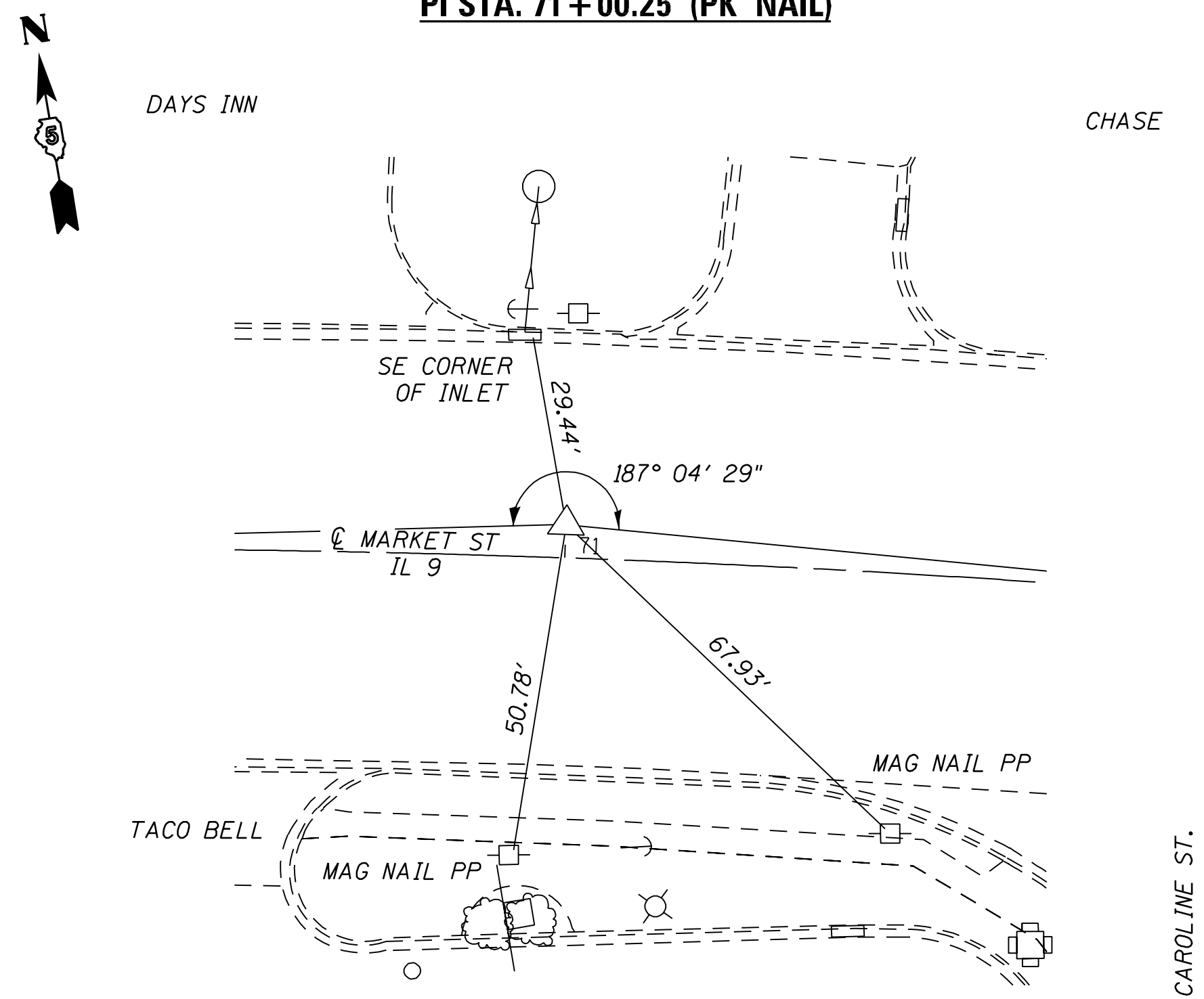
PT STA 68+59.92 PK NAIL
PI STA 68+61.44 BK = 68+60.72 AH
(DISK STUB)



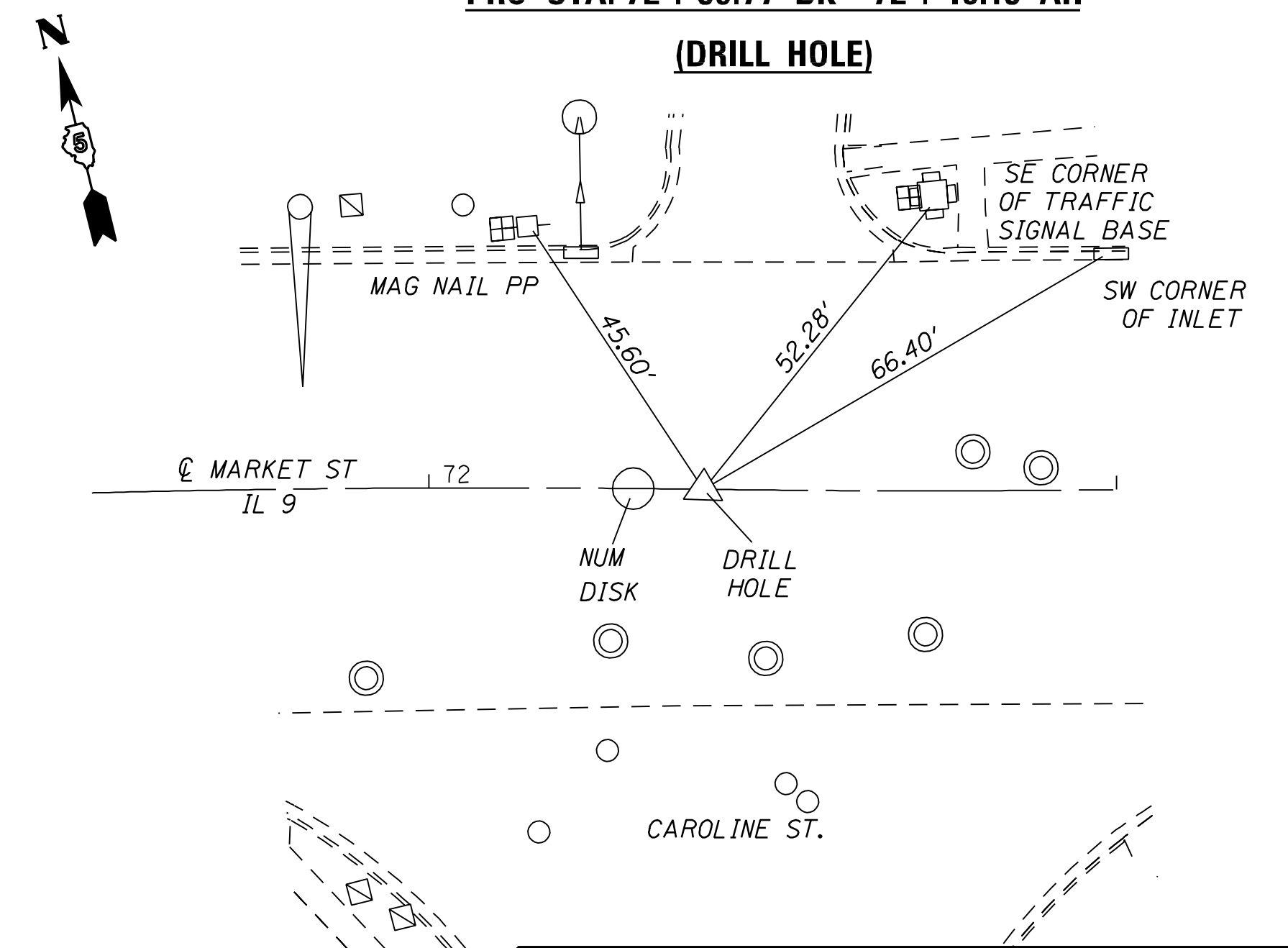
PC STA. 69+60.38 (PK NAIL)



PI STA. 71+00.25 (PK NAIL)



PRC STA. 72+39.77 BK = 72+40.13 AH
(DRILL HOLE)



CROSS TIES

FAP ROUTE 693 (IL 9)
SECTION 129 B-2
MCLEAN COUNTY

CUMMINS ENGINEERING CORPORATION

JOB #: 2114.5
FILE: 2114XTIES.DGN
DATE: 9/25/06