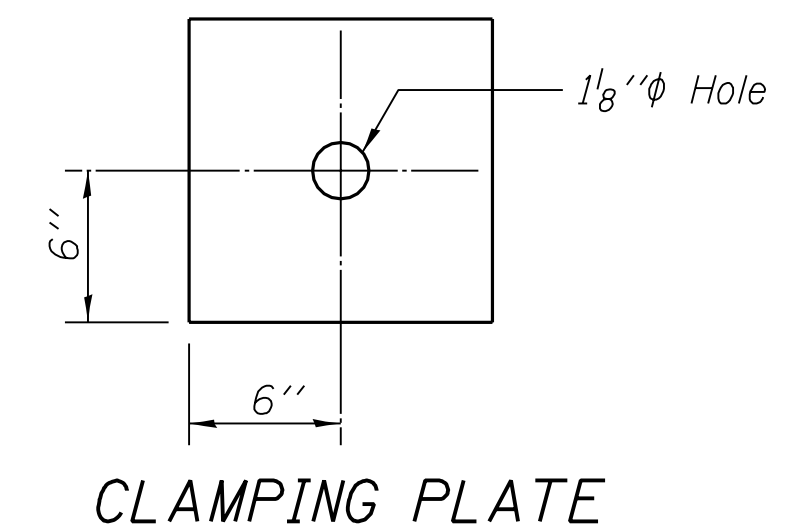
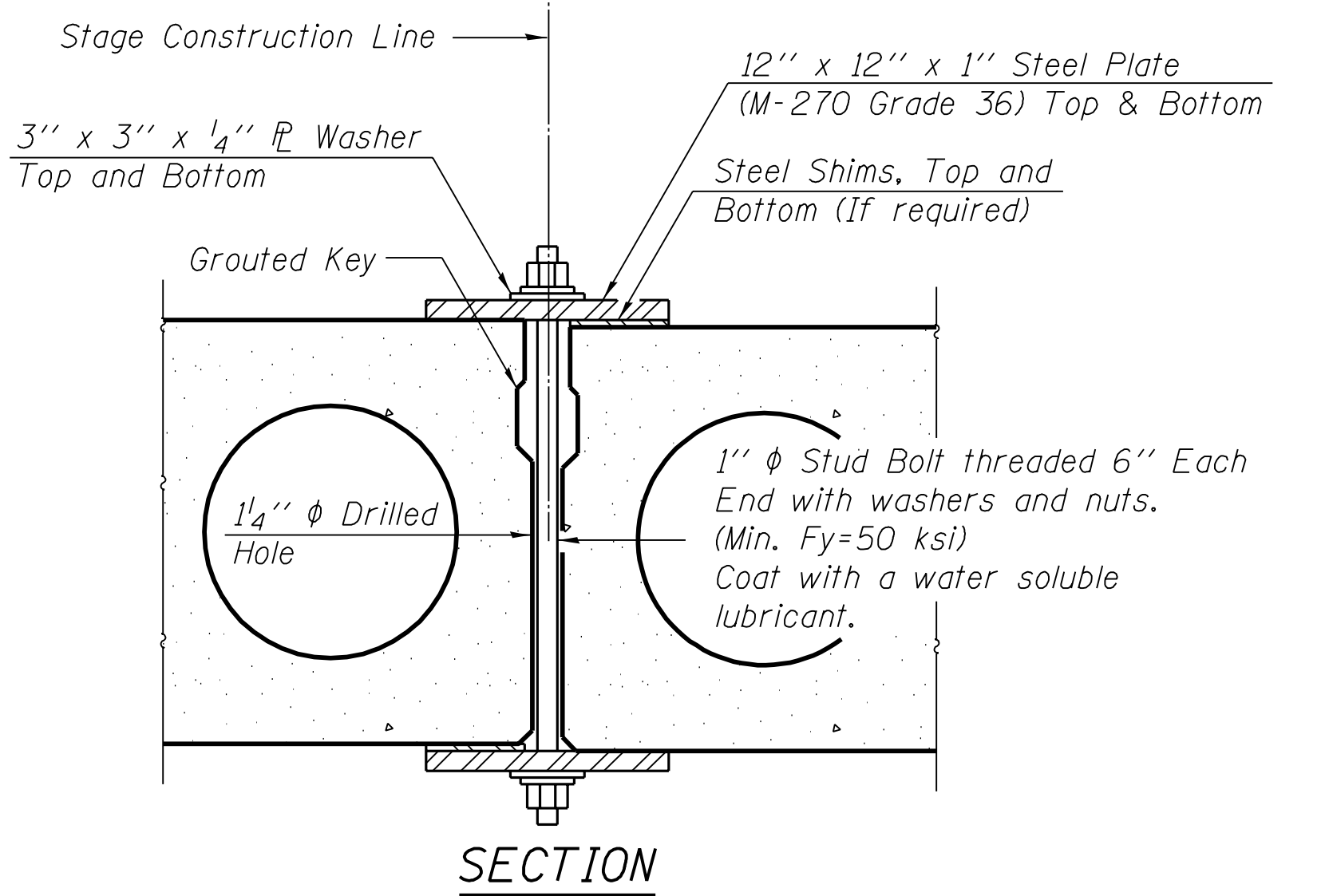
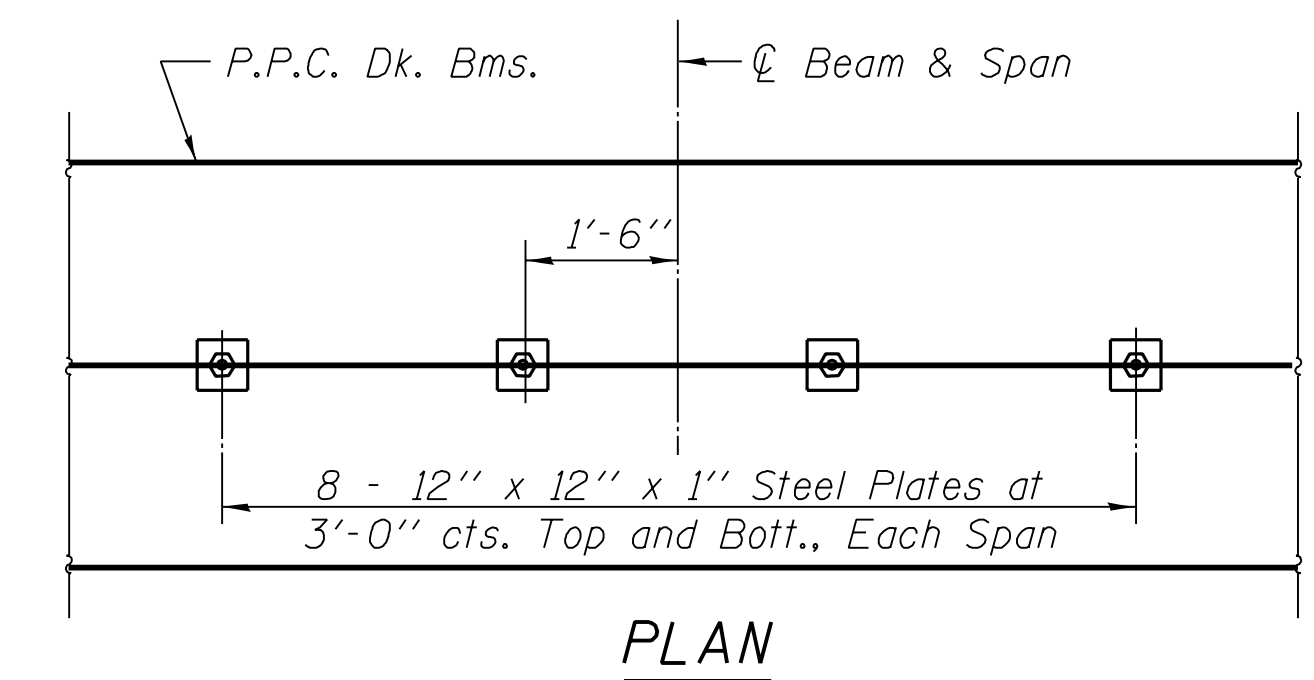
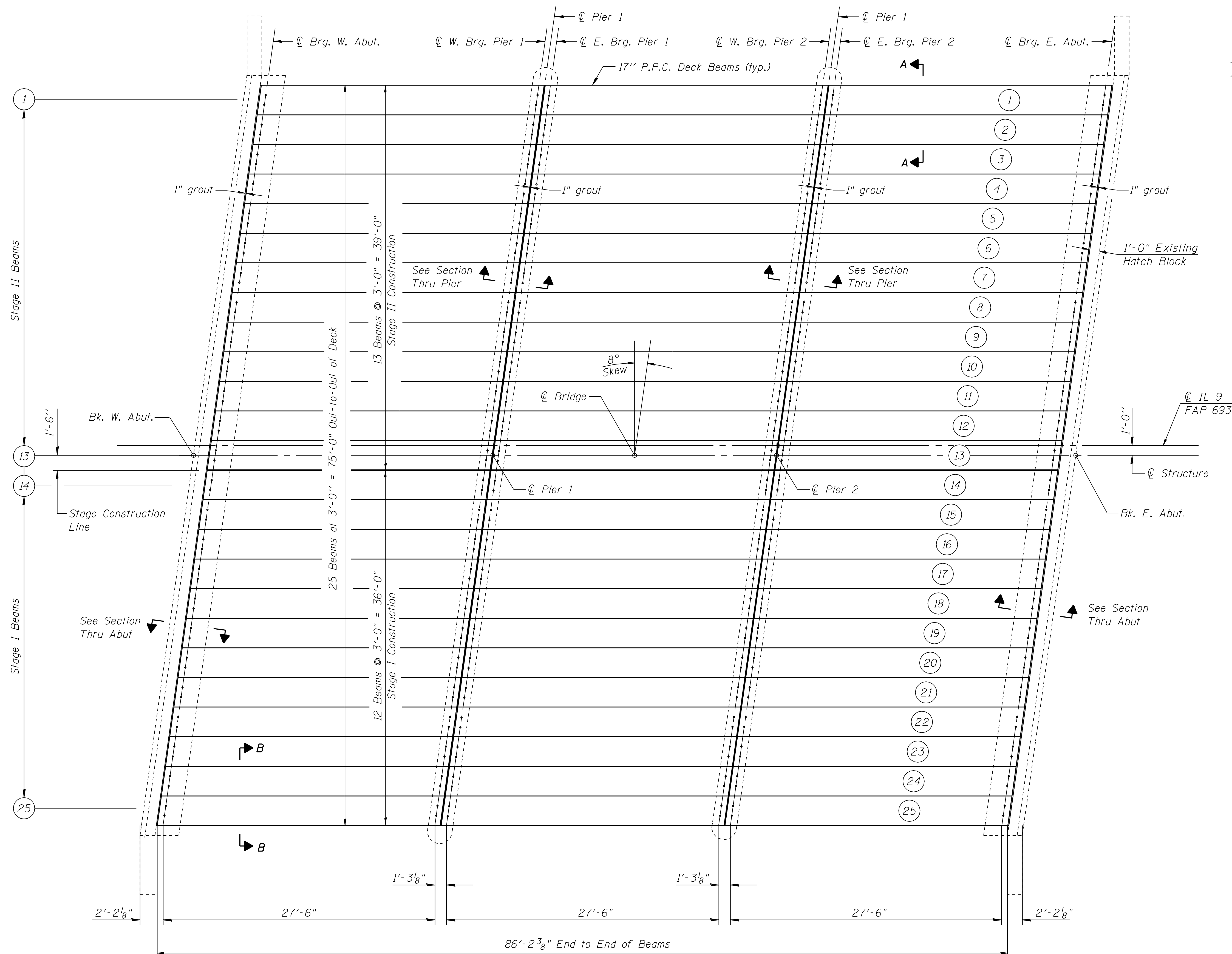


ROUTE NO.	SECTION	COUNTY	TOTAL SHEETS	SHEET NO.
F.A.P. 693	129 B-2	MCLEAN	34	27
FED. ROAD DIST. NO. 5		ILLINOIS PROJECT		
Sheet 6 of 13		CONTRACT #70519		



SHEAR KEY CLAMPING DETAILS AT STAGE CONST. JT.

Cost included with "Precast Prestressed Concrete Deck Beams, 17" Depth"
See Stage Construction Details for traffic lanes.

DESIGNED	T.S.H.
CHECKED	M.D.C.
DRAWN	A.A.N.
CHECKED	M.D.C.

PLAN
(Showing Concrete Deck Beams)

Notes:
See Sheet 7 of 13 for Sections A-A and B-B.
See Sheet 4 of 13 for Sections thru Pier & Abut.

SUPERSTRUCTURE	
ILLINOIS ROUTE 9 OVER SUGAR CREEK F.A.P. ROUTE 693 - SEC. 129 B-2 MCLEAN COUNTY STATION 67+94 STRUCTURE NO. 057-0190	
CUMMINS ENGINEERING CORPORATION	JOB #: 2114.5 FILE: 21145super DATE: 12/18/06