

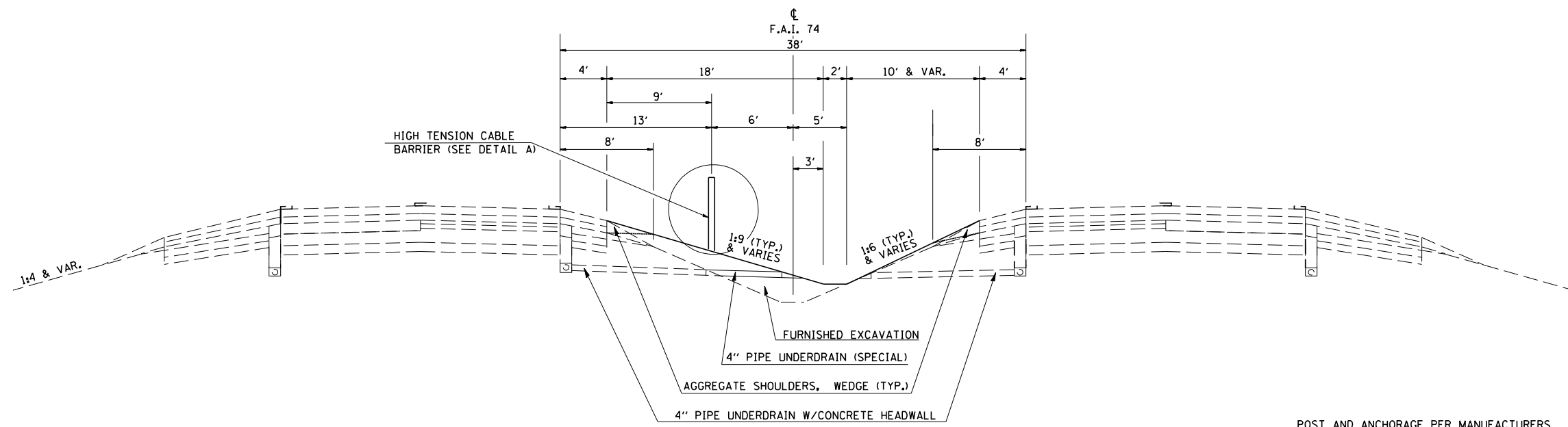
F.A.I. RTE.	SECTION	COUNTY	TOTAL SHEETS	SHEET NO.
74	*	VERMILION	105	9

STA.	TO STA.
FED. ROAD DIST. NO.	ILLINOIS FED. AID PROJECT

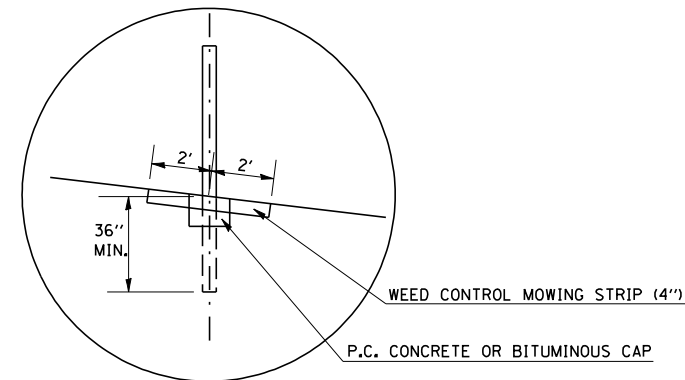
* D5 CABLE GUARD 2007-1

PROPOSED TYPICAL CROSS SECTION OAKWOOD LOCATION #1

STA. 1504+00.00 TO STA. 1574+00.00



POST AND ANCHORAGE PER MANUFACTURERS SPECIFICATIONS.



DETAIL "A"

PLOT DATE : 12/13/2006
 FILE NAME : c:\projects\70546\Oakwood\70546typical.dgn
 PLOT SCALE : 42.3525' / IN.
 USER NAME : creigr