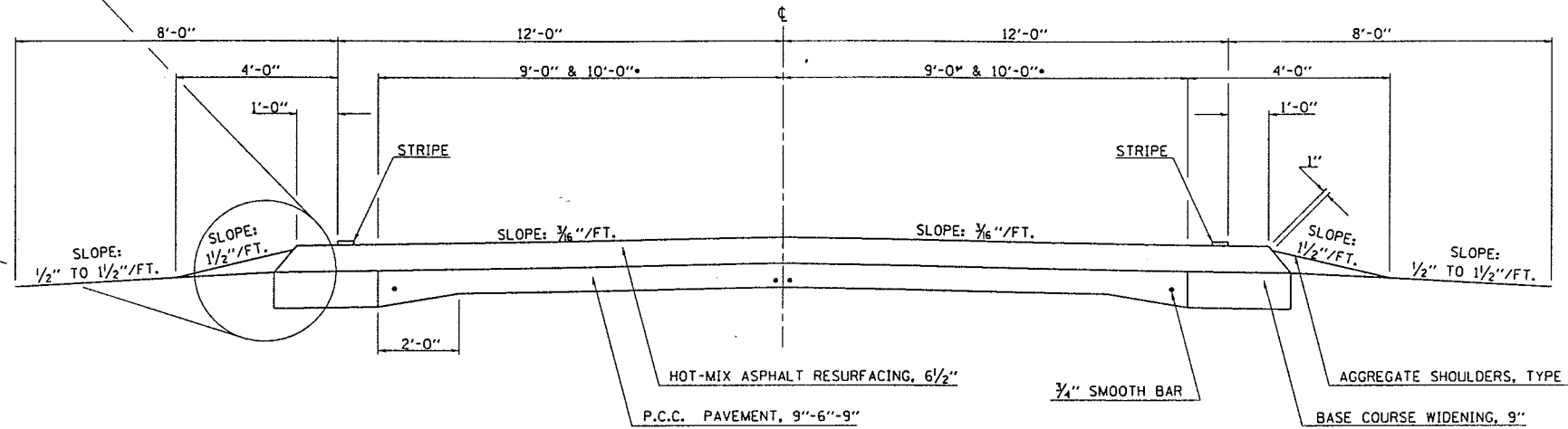
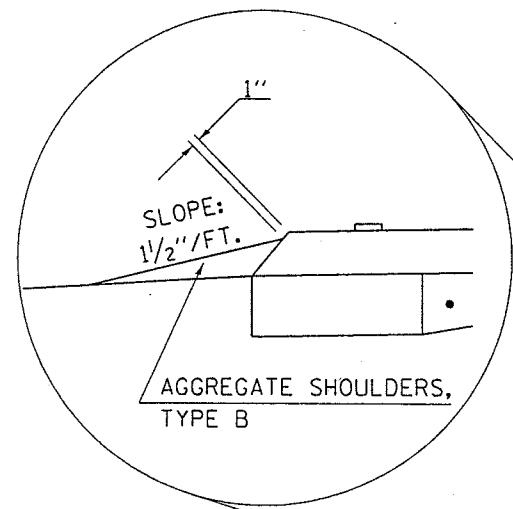


F.A.P. RTE.	SECTION	COUNTY	TOTAL SHEETS	SHEET NO.
709	(104)PP07	CHAMPAIGN	11	5
STA.		TO STA.		
FED. ROAD DIST. NO.		ILLINOIS	FED. AID PROJECT	

### EXISTING TYPICAL CROSS SECTION

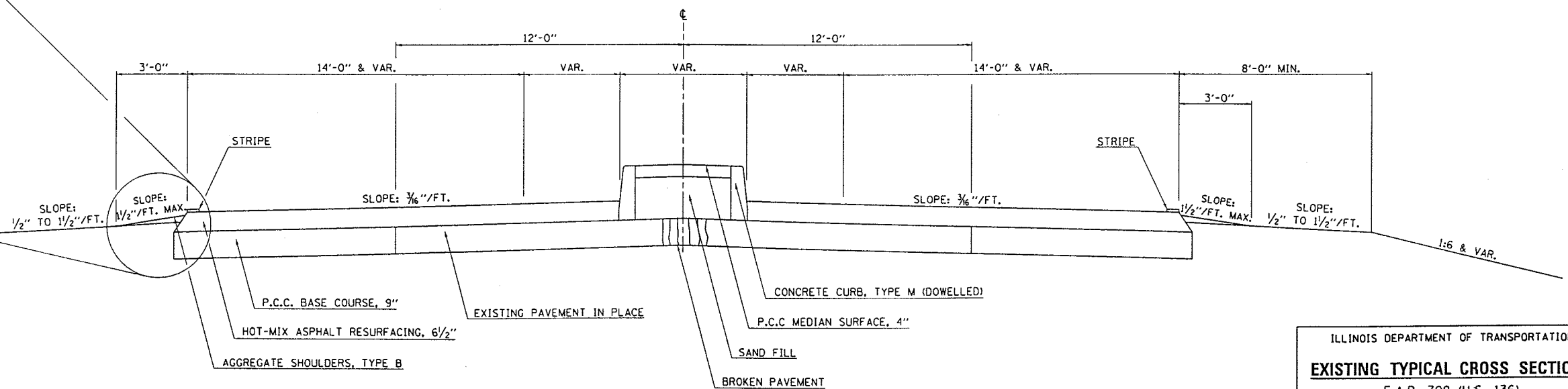
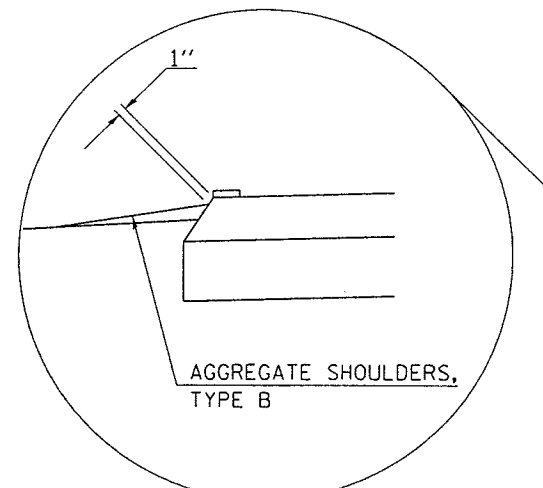
STATION 1450+95.00 TO STATION 1648+00.00 (BK)  
 STATION 1647+98.80 (AH) TO STATION 1650+68.35  
 RT. STATION 1650+68.35 TO RT. STATION 1653+54.78  
 LT. STATION 1673+21.54 TO LT. STATION 1676+09.97  
 STATION 1676+09.97 TO STATION 1741+58.00



•10'-0" 9-6-9 P.C.C. PAVEMENT  
 STA. 1450+95.00 TO STA. 1650+68.35  
 RT. STA. 1650+68.35 TO RT. STA. 1653+54.78  
 LT. STA. 1673+21.54 TO LT. STA. 1676+09.97  
 STA. 1676+09.97 TO STA. 1741+58.00

### EXISTING TYPICAL CROSS SECTION

LT. STATION 1650+68.35 TO LT. STATION 1653+54.78  
 STATION 1653+54.78 TO STATION 1673+21.54  
 RT. STATION 1673+21.54 TO RT. STATION 1676+09.97



PLOT DATE = 12/15/2006  
 FILE NAME = C:\p\proj\p07\104105\104105105.dgn  
 PLOT SCALE = 43.2365' / IN.  
 USER NAME = pler-sonbr

ILLINOIS DEPARTMENT OF TRANSPORTATION  
**EXISTING TYPICAL CROSS SECTIONS**  
 F.A.P. 709 (U.S. 136)  
 SECTION (104,105)PP07  
 CHAMPAIGN COUNTY  
 SCALE: NOT TO SCALE DRAWN BY: B.B.P.  
 DATE: 11/02/06 CHECKED BY: R.M.N.