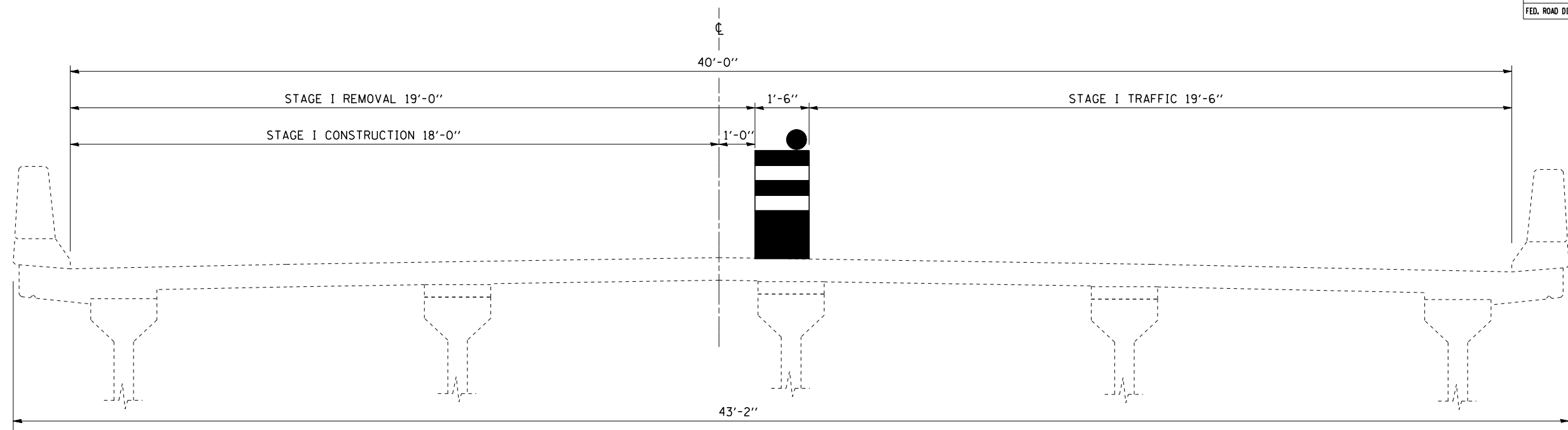
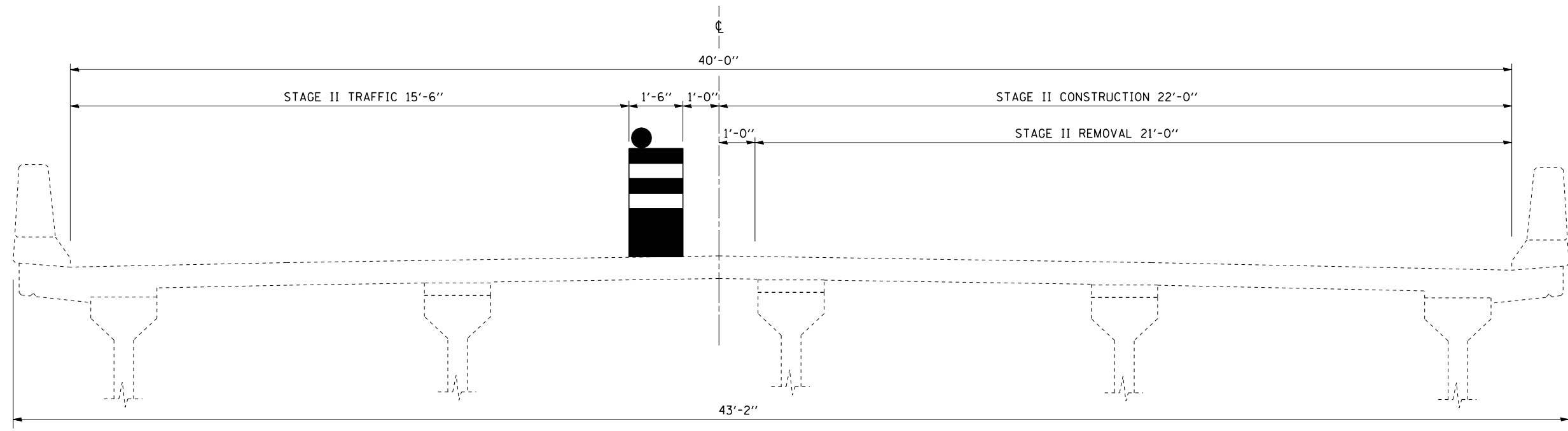


F.A.P. RTE.	SECTION	COUNTY	TOTAL SHEETS	SHEET NO.
322	*	DEWITT	35	15
STA.		TO STA.		
FED. ROAD DIST. NO.	ILLINOIS	FED. AID PROJECT		

SHEET 3 OF 7



**STAGE I CONSTRUCTION**  
**S.N. 020-0053**  
**(LOOKING SOUTH)**



**STAGE I CONSTRUCTION**  
**S.N. 020-0053**  
**(LOOKING SOUTH)**

ILLINOIS DEPARTMENT OF TRANSPORTATION  
**STAGE CONSTRUCTION DETAILS**  
 F.A.P. ROUTE 322  
 SECTION (52BR-1 & 53R-B)BJR  
 DEWITT COUNTY  
 S.N. 020-0053  
 SCALE: NA  
 DATE: 11/08/06  
 DRAWN BY: JRP  
 CHECKED BY:

PLOT DATE : 12/21/2006  
 FILE NAME : c:\projects\0510306 (v81)\70593b-edgeset.dwg  
 PLOT SCALE : 42.3525' / IN.  
 USER NAME : creig