

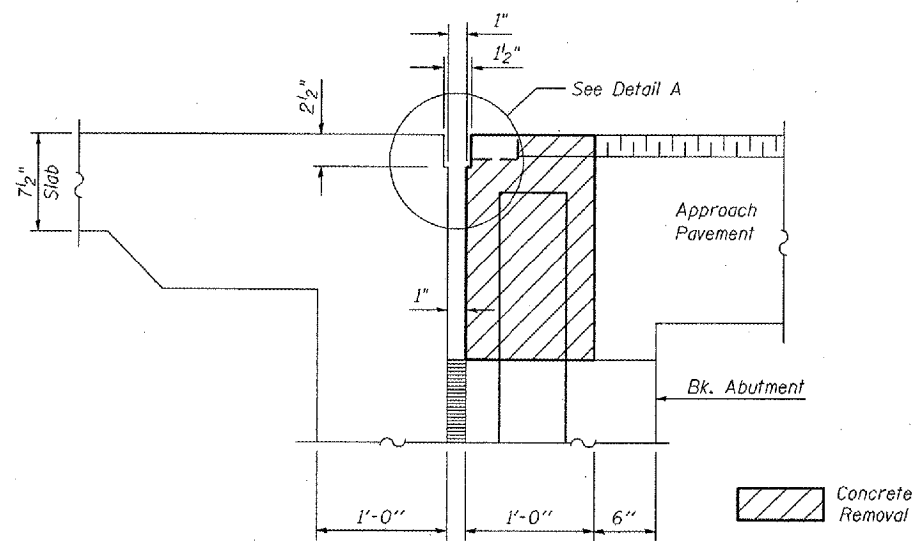
| F.A.P. RTE. | SECTION | COUNTY | TOTAL SHEETS | SHEET NO. |
|---------------------|---------|---------------------------|--------------|-----------|
| 322 | * | DEWITT | 35 | 17 |
| STA. | | TO STA. | | |
| FED. ROAD DIST. NO. | | ILLINOIS FED. AID PROJECT | | |

*152BR-1 & 53R-B1BJR

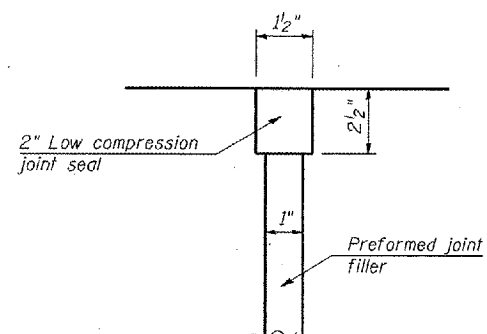
SHEET 5 OF 7

JOINT REPAIR AT NORTH ABUTMENT

S.N. 020-0053



EXISTING SECTION AT NORTH ABUTMENT



DETAIL A EXISTING JOINT

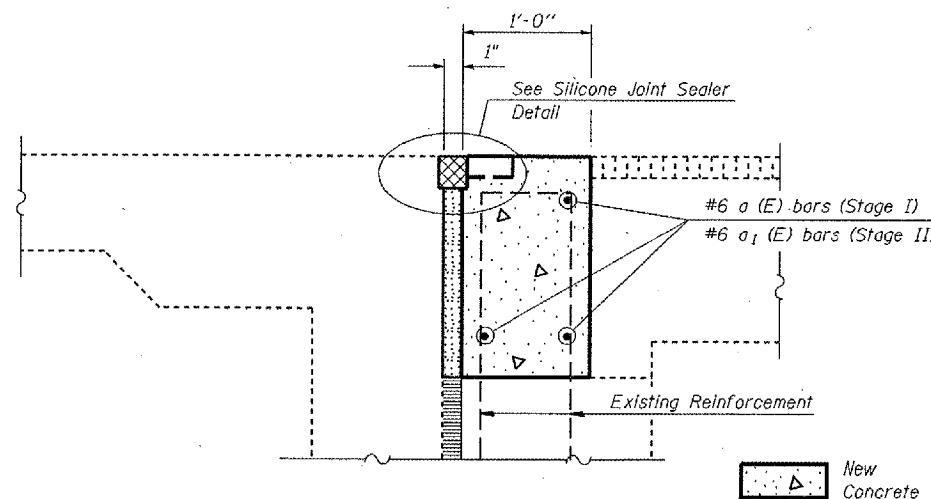
BILL OF MATERIALS

| Item | Unit | Total |
|----------------------------------|---------|-------|
| Concrete Removal | Cu. Yd. | 2.6 |
| Concrete Superstructure | Cu. Yd. | 2.6 |
| Reinforcement Bars, Epoxy Coated | Pound | 190 |
| Bar Splicers | Each | 3 |
| Polymer Concrete | Cu. Ft. | 1.6 |
| Silicone Joint Sealer, 1 1/2" | Foot | 43 |

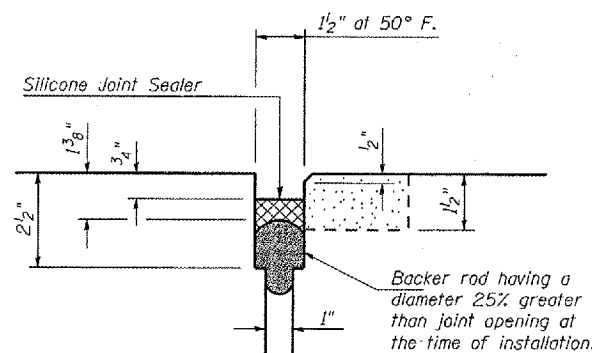
Notes:

Remove existing low compression joint seal and preformed joint filler to the depth of concrete removal, replace with Silicone Joint Sealer.

Removal of the low compression joint seal and preformed joint filler is included in the cost of Silicone Joint Sealer.



PROPOSED SECTION AT NORTH ABUTMENT



SILICONE JOINT SEALER DETAIL

PLOT DATE: 12/21/2008
 FILE NAME: c:\pwworkspace\118398_0\118398\118398.dwg
 PLOT SCALE: 1/8" = 1'-0"
 USER NAME: c:\pwworkspace\118398_0\118398\118398.dwg

ILLINOIS DEPARTMENT OF TRANSPORTATION
JOINT REPAIR AT NORTH ABUTMENT
 F.A.P. ROUTE 322
 SECTION 152BR-1 & 53R-B1BJR
 DEWITT COUNTY
 S.N. 020-0053

SCALE: NA
 DATE: 11/06/06

DRAWN BY: JRP
 CHECKED BY: