

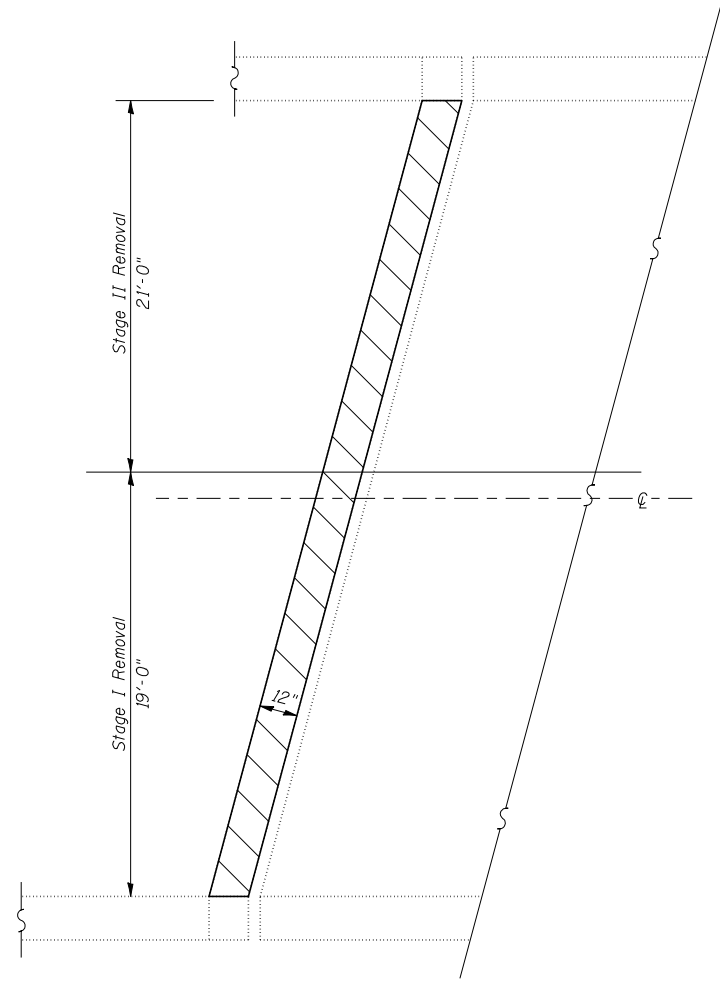
F.A.P. RTE.	SECTION	COUNTY	TOTAL SHEETS	SHEET NO.
322	*	DEWITT	35	18
STA.		TO STA.		
FED. ROAD DIST. NO.	ILLINOIS	FED. AID PROJECT		

* (52BR-1 & 53R-B)BJR

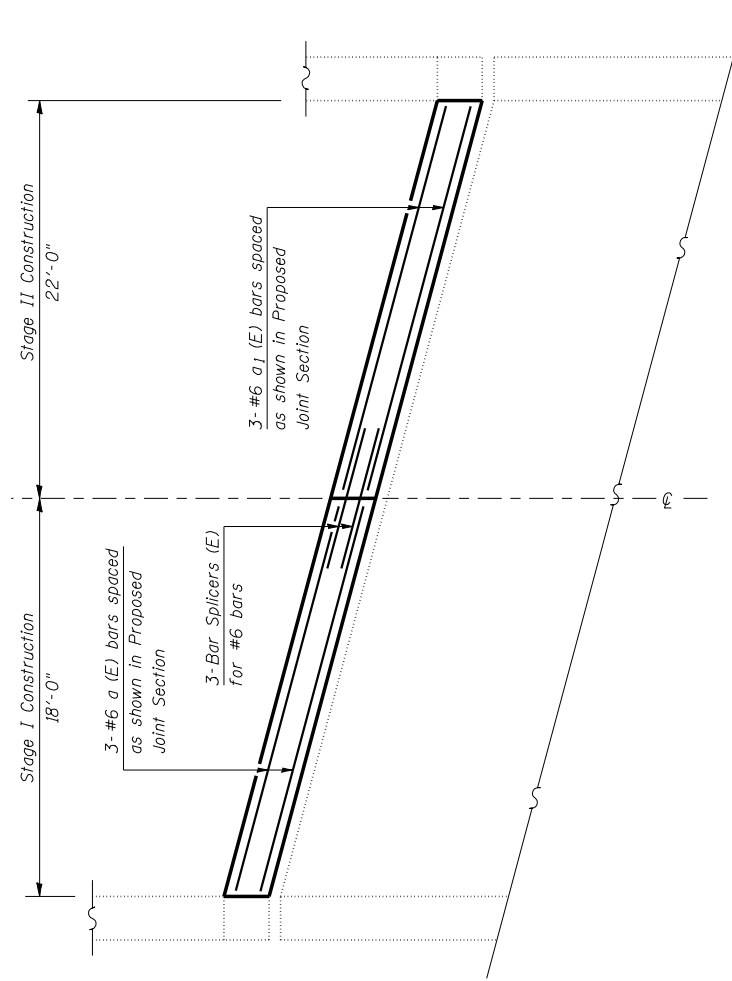
SHEET 6 OF 7

JOINT REPAIR AT SOUTH ABUTMENT

S.N. 020-0053



EXISTING PARTIAL PLAN
Joint at South Abutment



PROPOSED PARTIAL PLAN
Joint at South Abutment

BAR LIST

Bar	No.	Size	Length	Shape
a(E)	3	#6	18'-10"	—
a1(E)	3	#6	23'-2"	—

Reinforcement bars designated (E) shall be epoxy coated.

Hatched areas indicates Concrete Removal.

See Sheet 7 of 7 for Section Thru Parapet and Proposed Joint Section.

Concrete Removal

PLOT DATE : 12/21/2006
 FILE NAME : c:\projects\0510206 (v81)\70593b-edgedetail.dgn
 PLOT SCALE : 42,352% / IN.
 USER NAME : creigr

ILLINOIS DEPARTMENT OF TRANSPORTATION
JOINT REPAIR AT SOUTH ABUTMENT
 F.A.P. ROUTE 322
 SECTION (52BR-1 & 53R-B)BJR
 DEWITT COUNTY
 S.N. 020-0053

SCALE: NA DRAWN BY: JRP
 DATE: 11/08/06 CHECKED BY: