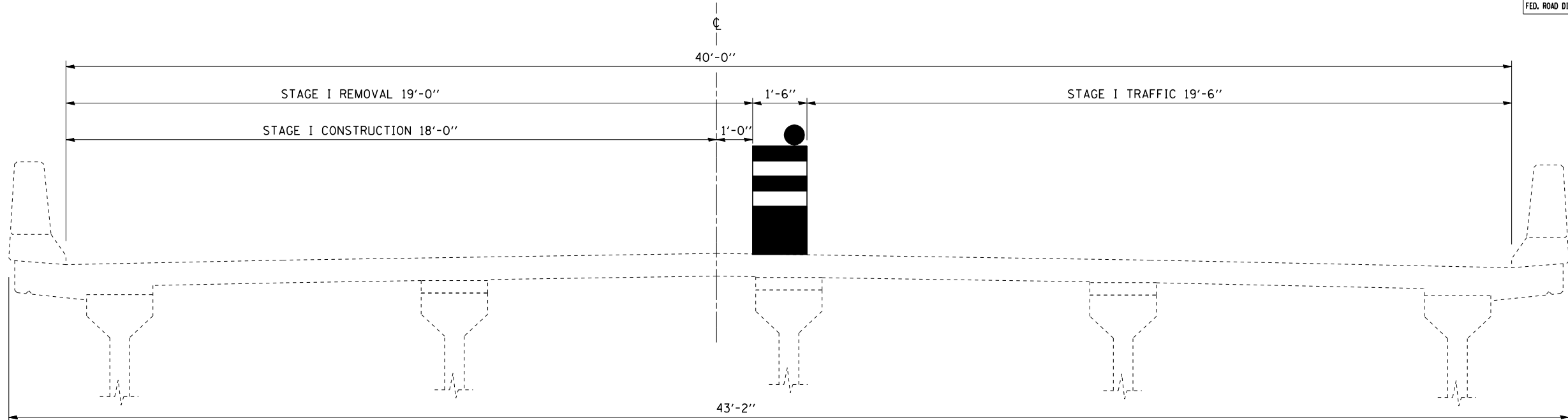


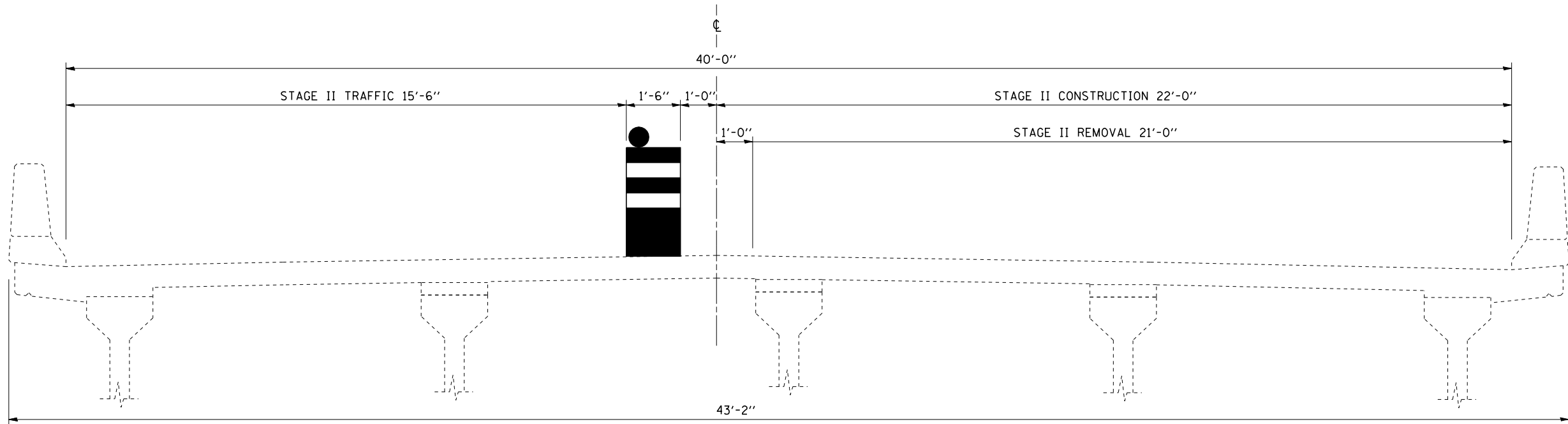
F.A.P. RTE.	SECTION	COUNTY	TOTAL SHEETS	SHEET NO.
322	*	DEWITT	35	22
STA.		TO STA.		
FED. ROAD DIST. NO.	ILLINOIS	FED. AID PROJECT		

* (52BR-1 & 53R-B)BJR

SHEET 3 OF 7



**STAGE I CONSTRUCTION
S.N. 020-0055
(LOOKING SOUTH)**



**STAGE I CONSTRUCTION
S.N. 020-0055
(LOOKING SOUTH)**

ILLINOIS DEPARTMENT OF TRANSPORTATION
STAGE CONSTRUCTION DETAILS
F.A.P. ROUTE 322
SECTION (52BR-1 & 53R-B)BJR
DEWITT COUNTY
S.N. 020-0055

SCALE: NA
DATE: 11/08/06

DRAWN BY: JRP
CHECKED BY: