

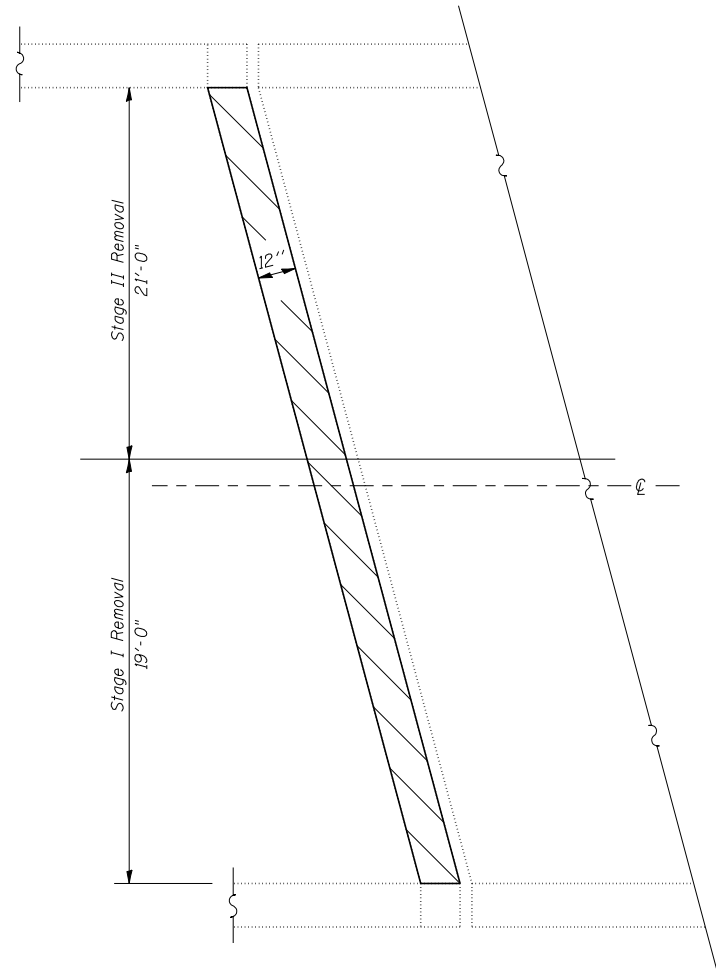
F.A.P. RTE.	SECTION	COUNTY	TOTAL SHEETS	SHEET NO.
322	*	DEWITT	35	25
STA.		TO STA.		
FED. ROAD DIST. NO.	ILLINOIS	FED. AID PROJECT		

\* (52BR-1 & 53R-B)BJR

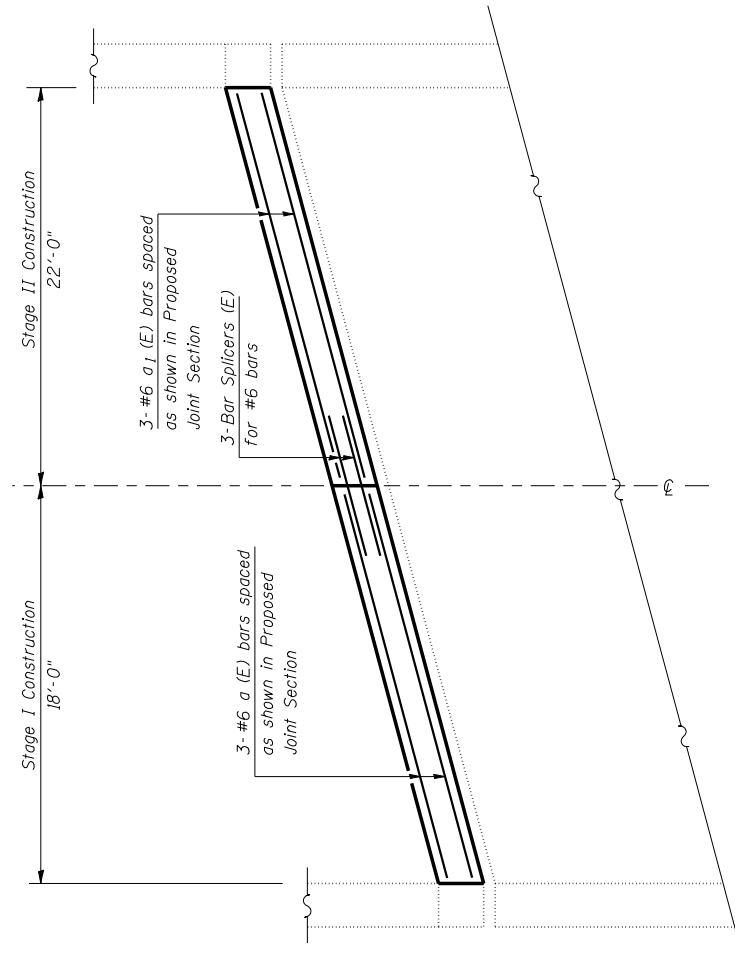
SHEET 6 OF 7

# JOINT REPAIR AT SOUTH ABUTMENT

## S.N. 020-0055



**EXISTING PARTIAL PLAN**  
*Joint at South Abutment*



**PROPOSED PARTIAL PLAN**  
*Joint at South Abutment*

Concrete Removal

**BAR LIST**

Bar	No.	Size	Length	Shape
a (E)	3	#6	20'-6"	—
a1 (E)	3	#6	25'-2"	—

Reinforcement bars designated (E) shall be epoxy coated.

Hatched areas indicates Concrete Removal.

See Sheet 7 of 7 for Section Thru Parapet and Proposed Joint Section.

PLOT DATE : 12/21/2006  
 FILE NAME : c:\projects\0510306 (v81)70593b-edgeset.plt.dgn  
 PLOT SCALE : 42,352% / IN.  
 USER NAME : creig@

ILLINOIS DEPARTMENT OF TRANSPORTATION  
**JOINT REPAIR AT SOUTH ABUTMENT**  
 F.A.P. ROUTE 322  
 SECTION (52BR-1 & 53R-B)BJR  
 DEWITT COUNTY  
 S.N. 020-0055

SCALE: NA      DRAWN BY: JRP  
 DATE: 11/08/06      CHECKED BY: