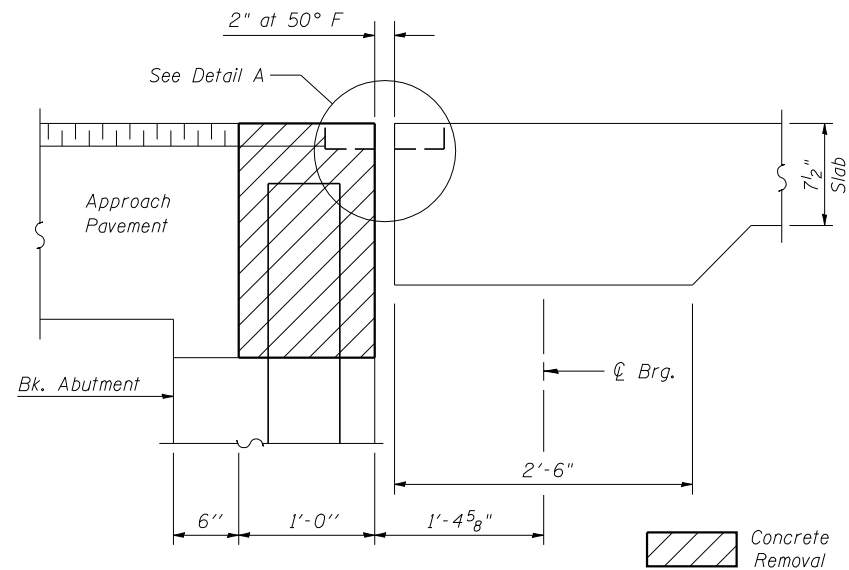


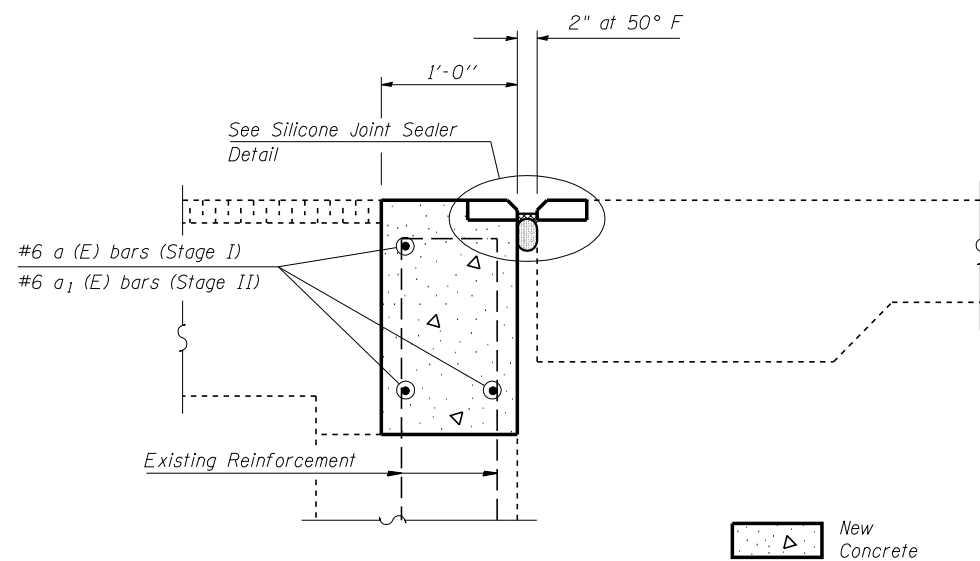
F.A.P. RTE.	SECTION	COUNTY	TOTAL SHEETS	SHEET NO.
322	*	DEWITT	35	26
STA. TO STA.		ILLINOIS FED. AID PROJECT		
FED. ROAD DIST. NO.		* (52BR-1 & 53R-B)BJR		

JOINT REPAIR AT SOUTH ABUTMENT

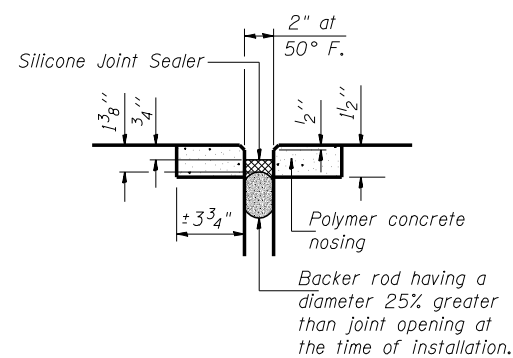
S.N. 020-0055



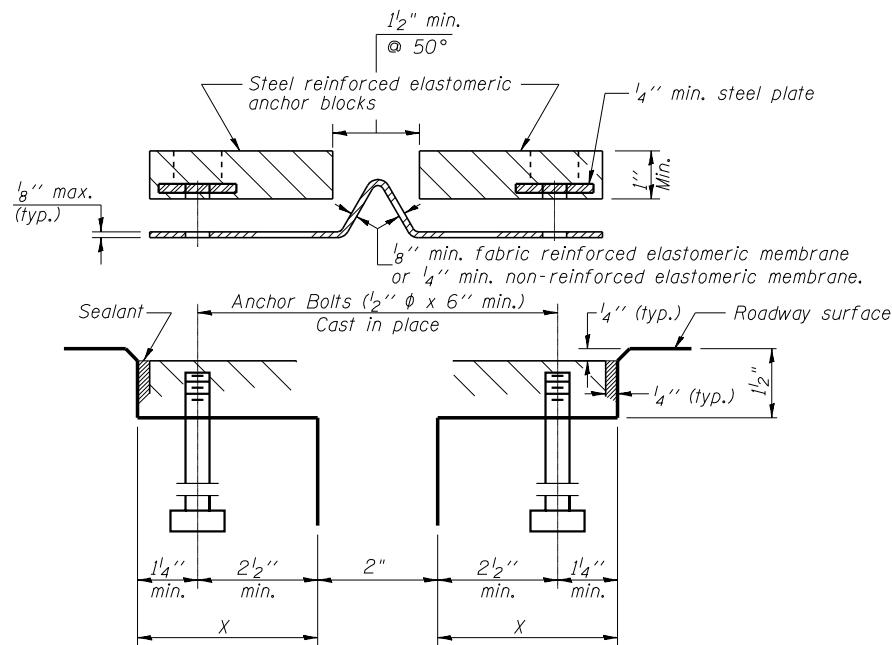
EXISTING SECTION AT SOUTH ABUTMENT



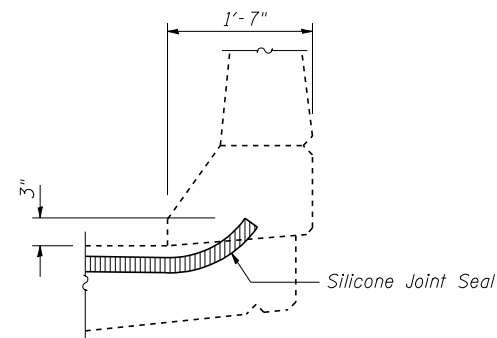
PROPOSED SECTION AT SOUTH ABUTMENT



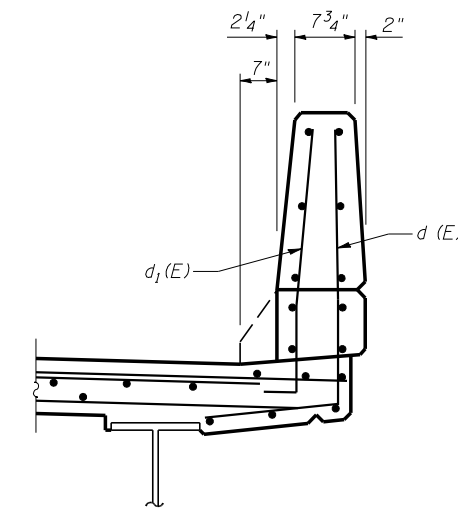
SILICONE JOINT SEALER DETAIL



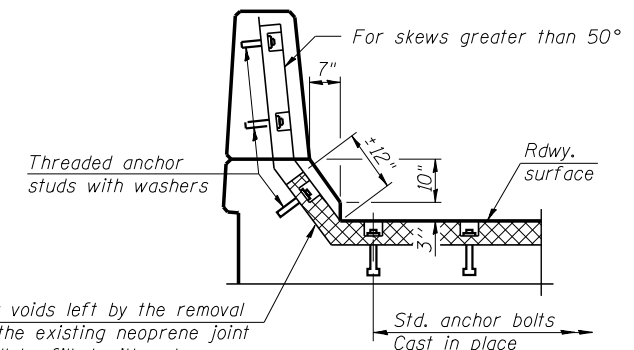
CROSS SECTION DETAIL A EXISTING JOINT



PROPOSED TYPICAL END OF SEAL TREATMENT AT ABUTMENT



EXISTING SECTION THRU PARAPET



EXISTING NEOPRENE JOINT AT PARAPET

BILL OF MATERIALS

Item	Unit	Total
Concrete Removal	Cu. Yd.	2.3
Concrete Superstructure	Cu. Yd.	2.3
Reinforcement Bars, Epoxy Coated	Pound	210
Bar Splicers	Each	3
Polymer Concrete	Cu. Ft.	3.8
Silicone Joint Sealer, 2"	Foot	48.3

Notes:

Remove existing neoprene expansion joint leaving existing anchor bolts on the bridge deck portion, replace with Silicone Joint Sealer and Polymer Concrete.

Removal of the existing anchor blocks and neoprene membrane is included in the cost of Polymer Concrete.

ILLINOIS DEPARTMENT OF TRANSPORTATION
JOINT REPAIR AT SOUTH ABUTMENT
 F.A.P. ROUTE 322
 SECTION (52BR-1 & 53R-B)BJR
 DEWITT COUNTY
 S.N. 020-0055

SCALE: NA DRAWN BY: JRP
 DATE: 11/08/06 CHECKED BY: