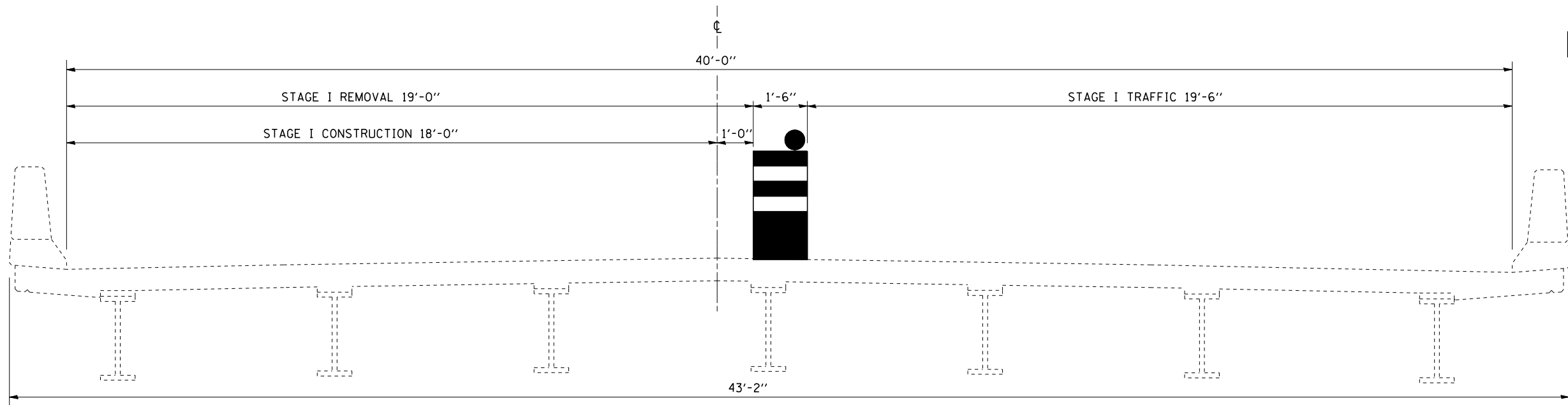


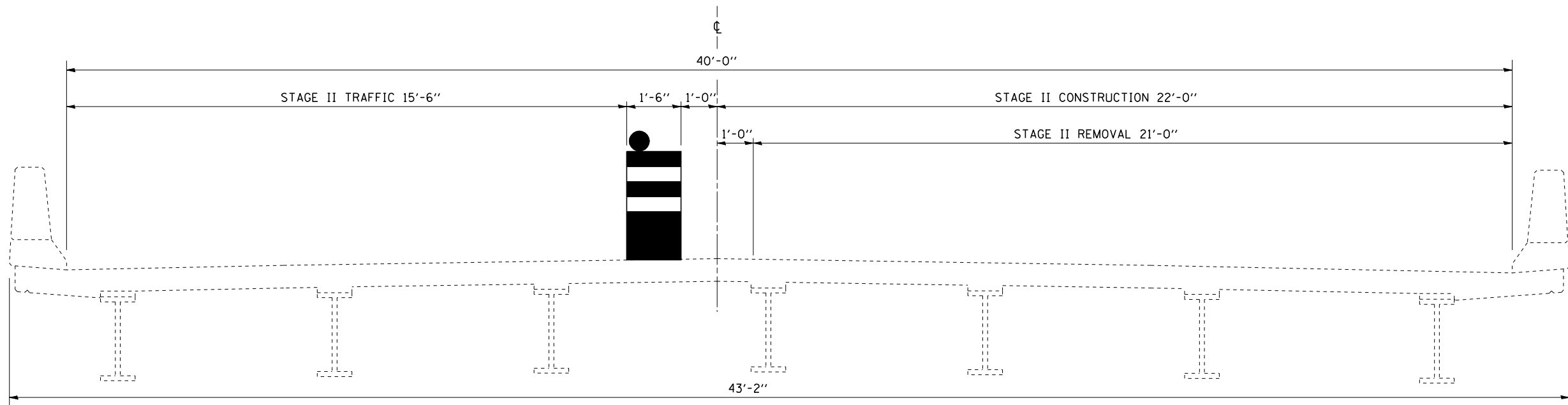
F.A.P. RTE.	SECTION	COUNTY	TOTAL SHEETS	SHEET NO.
322	*	DEWITT	35	29
STA.		TO STA.		
FED. ROAD DIST. NO.	ILLINOIS	FED. AID PROJECT		

* (52BR-1 & 53R-B)BJR

SHEET 3 OF 8



STAGE I CONSTRUCTION
S.N. 020-0005
(LOOKING SOUTH)



STAGE II CONSTRUCTION
S.N. 020-0005
(LOOKING SOUTH)

ILLINOIS DEPARTMENT OF TRANSPORTATION
STAGE CONSTRUCTION DETAILS
 F.A.P. ROUTE 322
 SECTION (52BR-1 & 53R-B)BJR
 DEWITT COUNTY
 S.N. 020-0005
 SCALE: NA
 DATE: 11/08/06
 DRAWN BY: JRP
 CHECKED BY:

PLOT DATE : 12/21/2006
 FILE NAME : c:\projects\020005\020005.dwg
 PLOT SCALE : 42.3525' / IN.
 USER NAME : creig