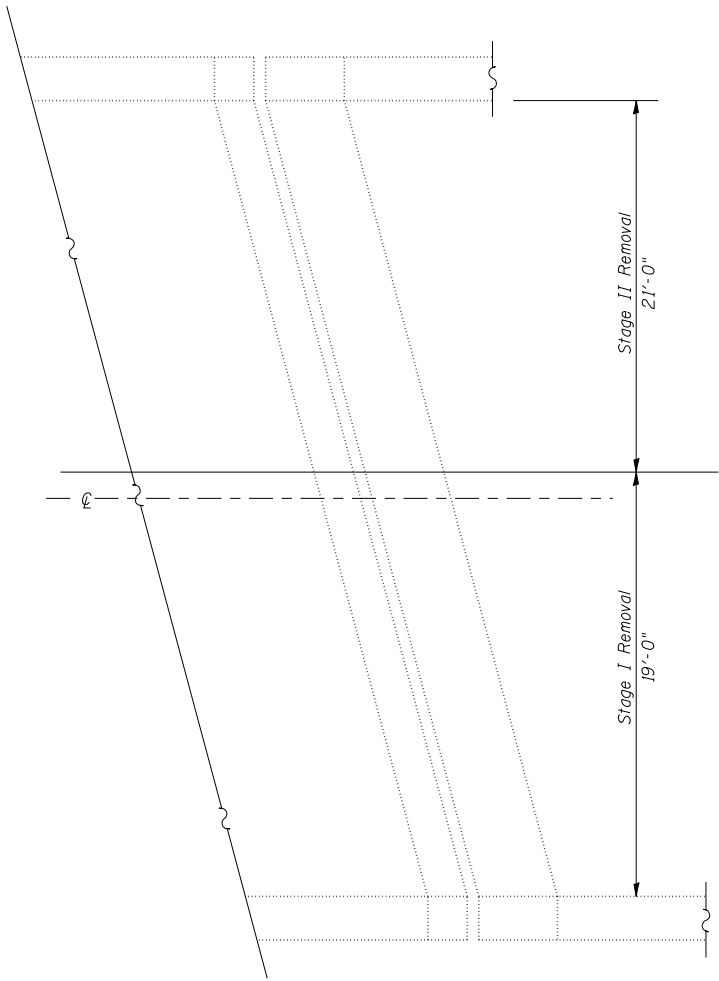


F.A.P. RTE.	SECTION	COUNTY	TOTAL SHEETS	SHEET NO.
322	*	DEWITT	35	32
STA.		TO STA.		
FED. ROAD DIST. NO.	ILLINOIS	FED. AID PROJECT		
*(52BR-1 & 53R-B)BJR				

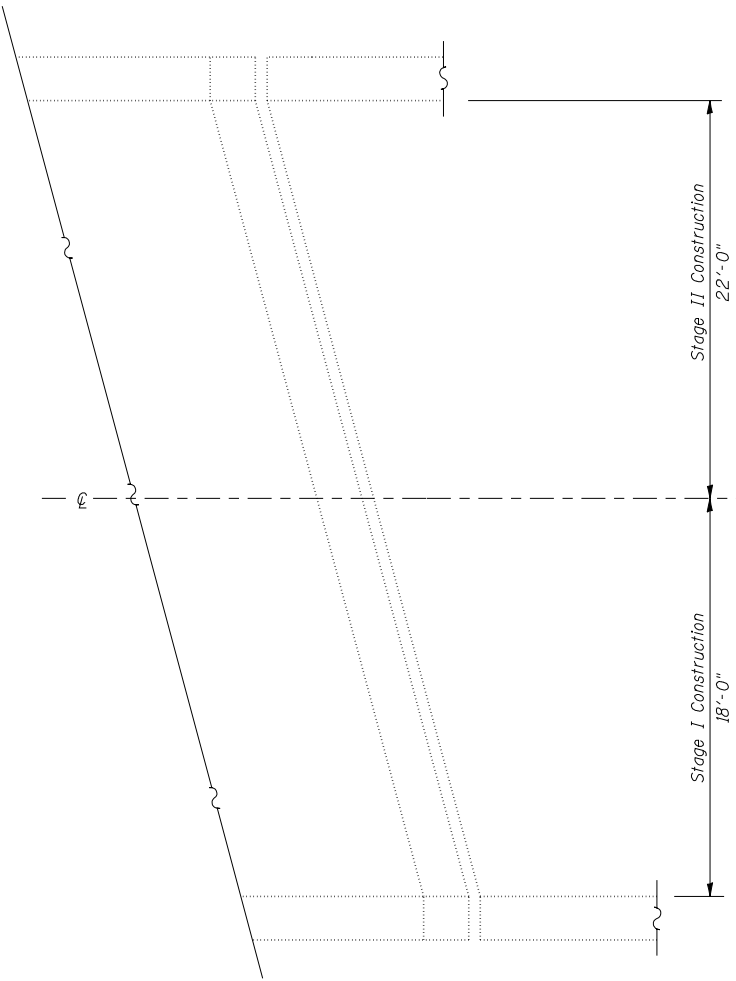
SHEET 6 OF 8

# JOINT REPAIR AT SOUTH ABUTMENT

## S.N. 020-0005



**EXISTING PARTIAL PLAN**  
*Joint at South Abutment*



**PROPOSED PARTIAL PLAN**  
*Joint at South Abutment*

See Sheet 7 of 8 for Proposed Joint Section.  
See Sheet 8 of 8 for Section Thru Parapet.

PLOT DATE : 12/21/2006  
 FILE NAME : c:\projects\510306 (v81)70593b-edgedetail.dgn  
 PLOT SCALE : 42.3525' / IN.  
 USER NAME : creigr

ILLINOIS DEPARTMENT OF TRANSPORTATION	
<b>JOINT REPAIR AT SOUTH ABUTMENT</b>	
F.A.P. ROUTE 322	
SECTION (52BR-1 & 53R-B)BJR	
DEWITT COUNTY	
S.N. 020-0005	
SCALE: NA	DRAWN BY: JRP
DATE: 11/08/06	CHECKED BY: