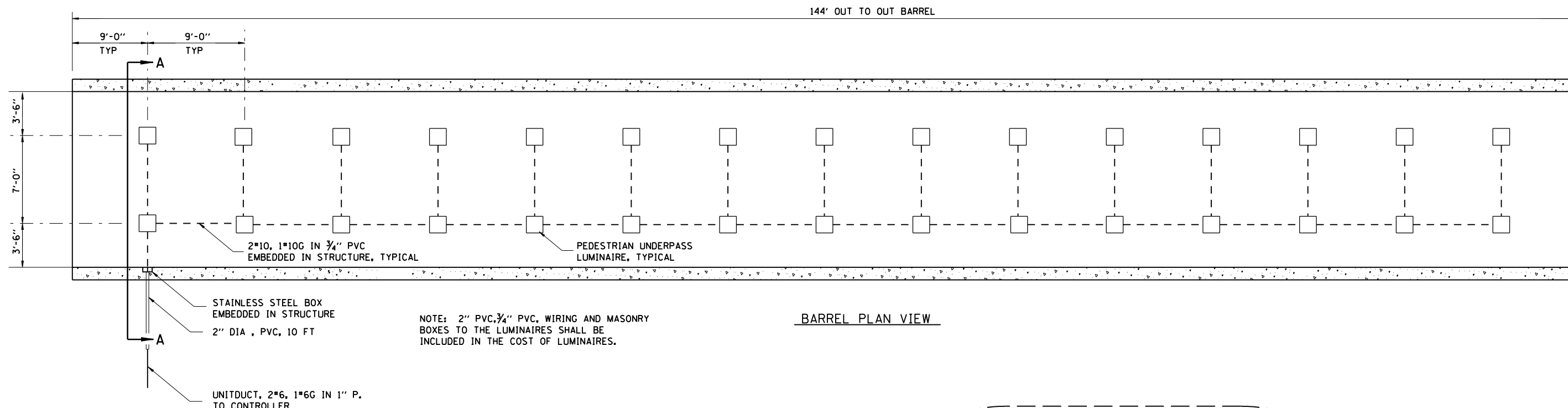
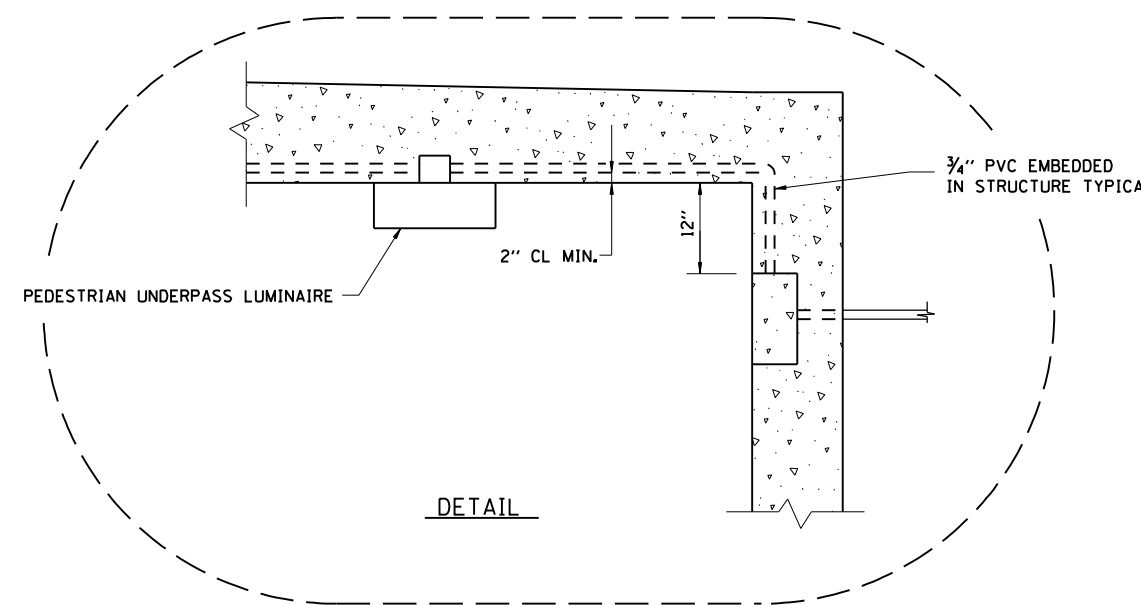


FAU ROUTE	SECTION	COUNTY	TOTAL SHEETS	SHEET NO.
8071	*	SANGAMON	559	179
STA.		TO STA.		
FED. ROAD DIST. NO.	ILLINOIS	FED. AID PROJECT		
(84-9-4)A,HBK,BY,BY-1 * 02-00382-02-PV				

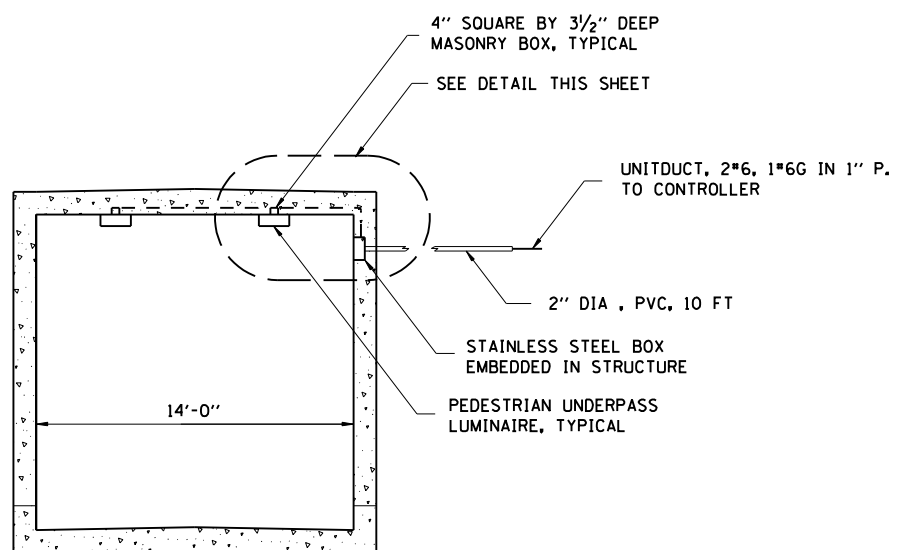


BARREL PLAN VIEW

NOTE: 2" PVC, 3/4" PVC, WIRING AND MASONRY BOXES TO THE LUMINAIRES SHALL BE INCLUDED IN THE COST OF LUMINAIRES.



DETAIL



SECTION A-A
(SECTION THRU BOX CULVERT)

REVISIONS	
NAME	DATE

ILLINOIS DEPARTMENT OF TRANSPORTATION
 LIGHTING DETAILS -2
 PEDESTRIAN UNDERPASS
 SEC NO. 02-00382-02-PV
 SEC NO. (84-9-4)A,HBK,BY,BY-1
 SANGAMON COUNTY, ILLINOIS

SCALE: VERT. DRAWN BY CLG
 HORIZ. CHECKED BY JWM
 DATE 12/16/2006

12/16/2006
 \$FILES
 LAYOUT CLG 08/05/06
 DRAWN CLG 08/05/06
 REVIEWED JWB/JWM 08/05/06