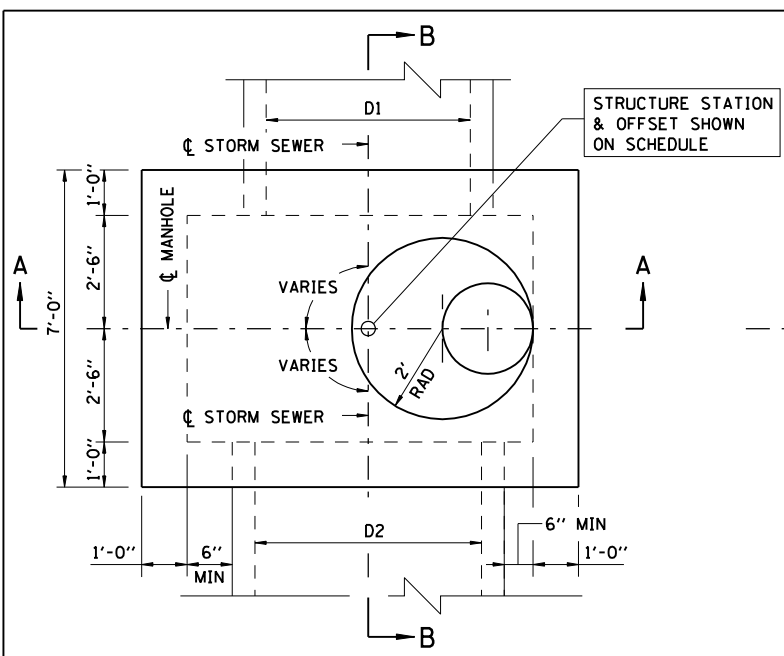
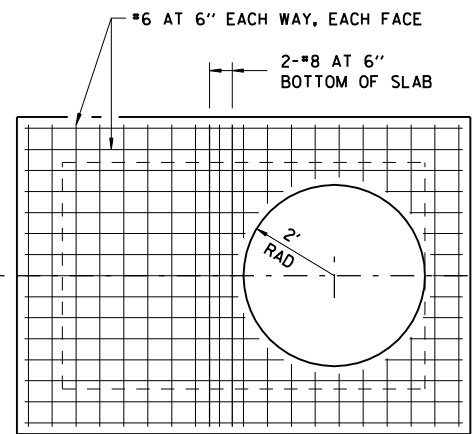


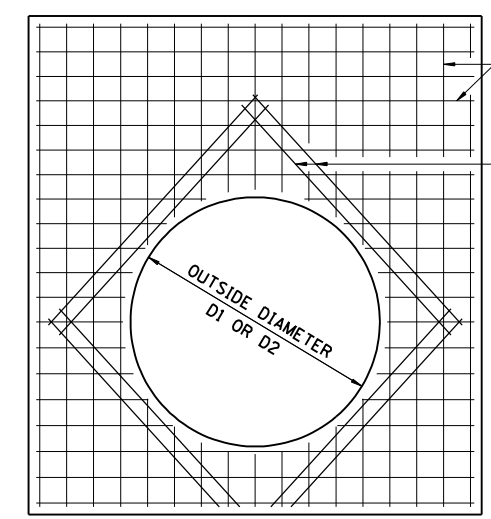
FAU ROUTE	SECTION	COUNTY	TOTAL SHEETS	SHEET NO.
8071	*	SANGAMON	559	184
STA.		TO STA.		
FED. ROAD DIST. NO.	ILLINOIS	FED. AID PROJECT		
(84-9-4)A,HBK,BY,BY-1 * 02-00382-02-PV				



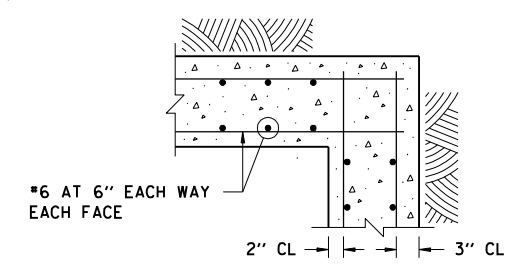
MANHOLE SPECIAL, TYPE 5
NOT TO SCALE



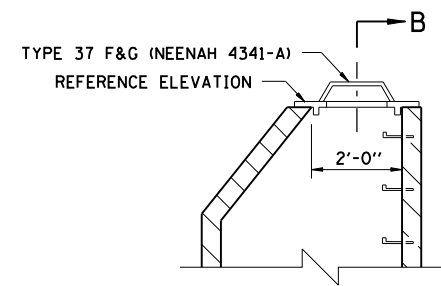
REINFORCEMENT PLAN AT OPENING IN TOP SLAB
MANHOLE SPECIAL, TYPE 5
NOT TO SCALE



REINFORCEMENT PLAN AT PIPE OPENING IN SIDE
MANHOLE SPECIAL, TYPE 5
NOT TO SCALE



REINFORCEMENT AT ALL CORNERS
MANHOLE SPECIAL, TYPE 5
NOT TO SCALE



NOTES:

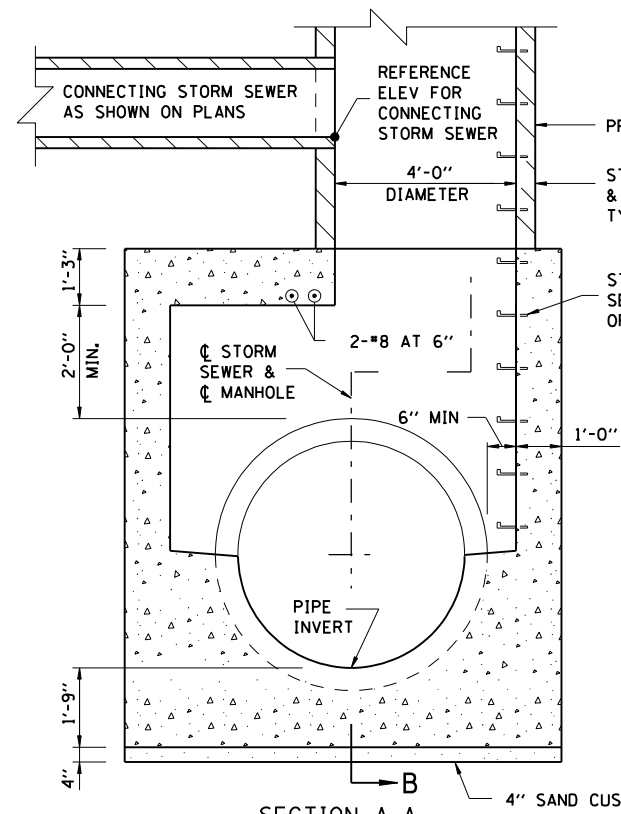
PROVIDE 1/2" KEY AT ALL CONSTRUCTION JOINTS. CONTRACTOR MAY SUBSTITUTE PRECAST FOR CAST-IN-PLACE MANHOLE. DESIGN MUST BE PREPARED BY LICENSED STRUCTURAL ENGINEER. SUBMIT SHOP PLANS IN ACCORDANCE WITH ARTICLE 504.04.

ALL WORK SHOWN WILL BE PAID FOR AS MANHOLE SPECIAL TYPE 5.

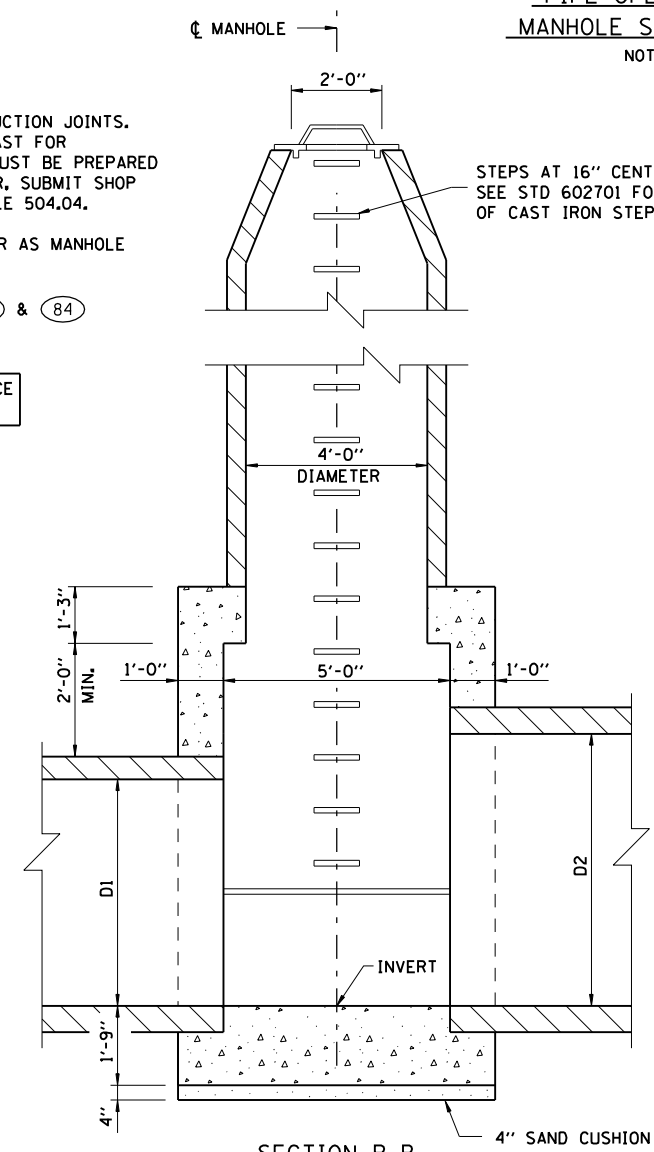
USE FLAT SLAB TOP AT (72) (78) & (84)

REINFORCEMENT

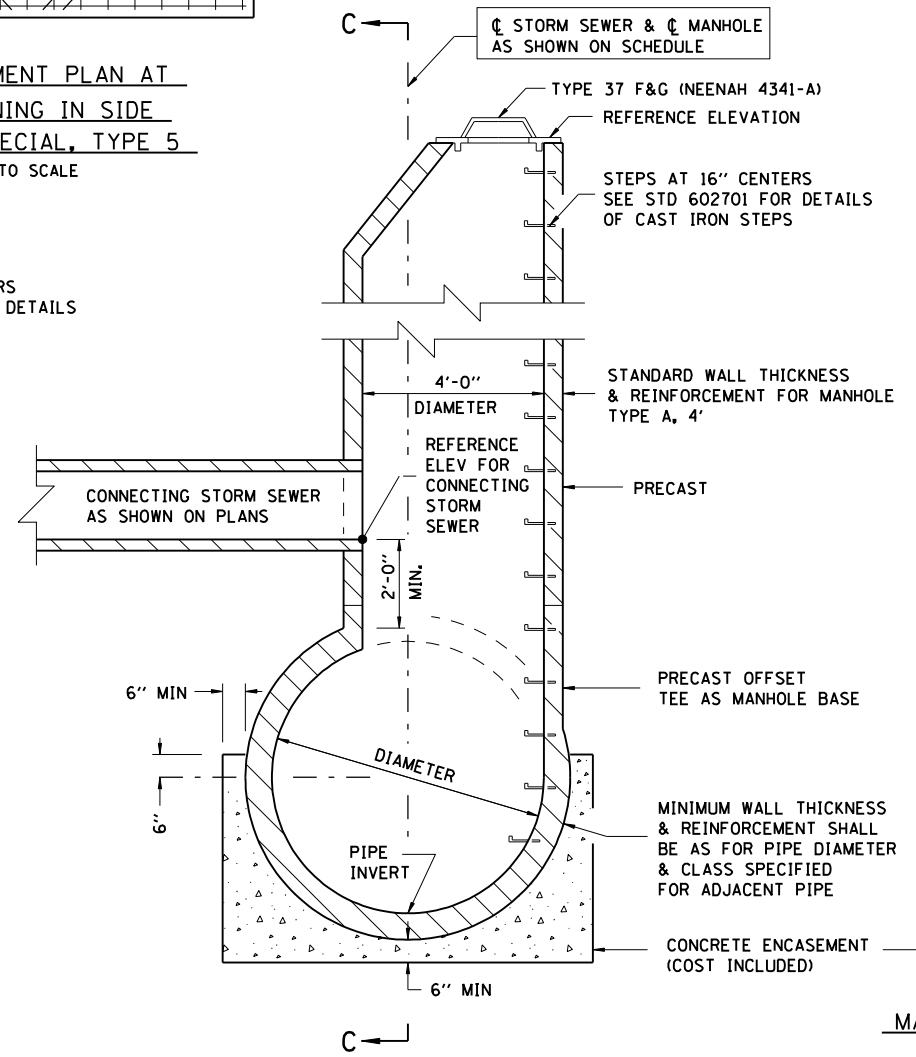
*6 AT 6" EACH WAY, EACH FACE IN TOP, BOTTOM & SIDES



SECTION A-A
MANHOLE SPECIAL, TYPE 5
NOT TO SCALE



SECTION B-B
MANHOLE SPECIAL, TYPE 5
NOT TO SCALE



MANHOLE SPECIAL, TYPE 1,2,3,4
NOT TO SCALE

MANHOLE SPECIAL, TYPE 1,2,3,4
SECTION C-C
NOT TO SCALE

MANHOLE SPECIAL, TYPE 5		
LOCATION	D1	D2
837+20	54"	60"
824+00	60"	66"
807+00	66"	72"

MANHOLE TYPE	DIAMETER
MANHOLE SPECIAL, TYPE 1	72" Ø
MANHOLE SPECIAL, TYPE 2	66" Ø
MANHOLE SPECIAL, TYPE 3	60" Ø
MANHOLE SPECIAL, TYPE 4	54" Ø

REVISIONS	
NAME	DATE

ILLINOIS DEPARTMENT OF TRANSPORTATION
DRAINAGE STRUCTURE DETAILS -1
FAI-72, MACARTHUR BLVD
SEC NO. 02-00382-02-PV
SEC NO. (84-9-4)A,HBK,BY,BY-1
SANGAMON COUNTY, ILLINOIS

SCALE: VERT. 1"=1'-0"
HORIZ. 1"=10'-0"
DATE: 12/16/2006

DRAWN BY: CLG
CHECKED BY: JAD

12/16/2006 \$FILES

LAYOUT: CLG 08/05/06
DRAWN: CLG 08/05/06
REVIEWED: JAD/JMM 08/05/06