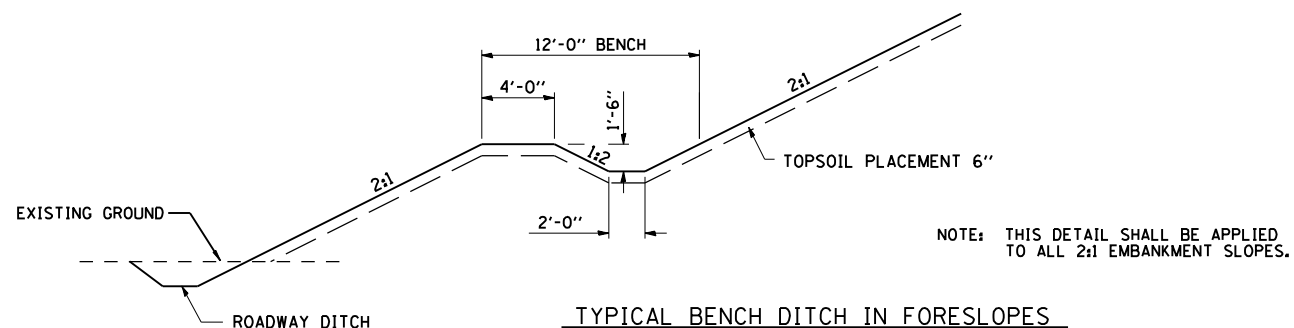


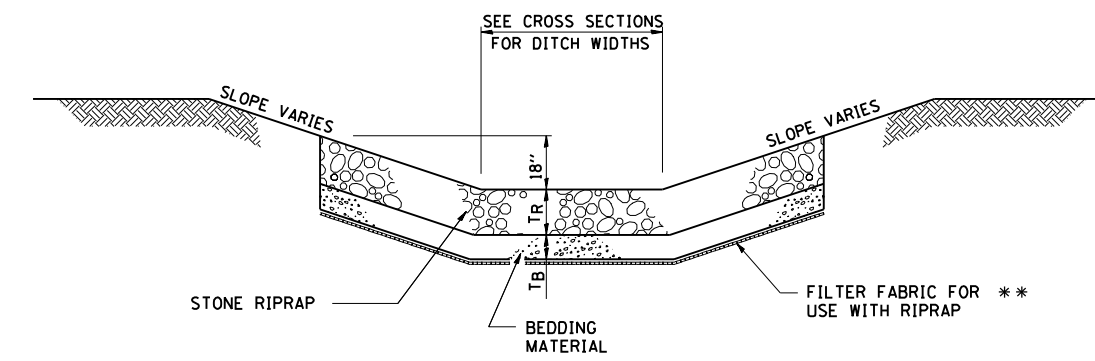
FAU ROUTE	SECTION	COUNTY	TOTAL SHEETS	SHEET NO.
8071	*	SANGAMON	559	187
STA.		TO STA.		
FED. ROAD DIST. NO.	ILLINOIS	FED. AID PROJECT		
(84-9-4)A,HBK,BY,BY-1 * 02-00382-02-PV				



TYPICAL BENCH DITCH IN FORESLOPES

NOT TO SCALE
SEE PLAN & PROFILES FOR EXACT LOCATIONS

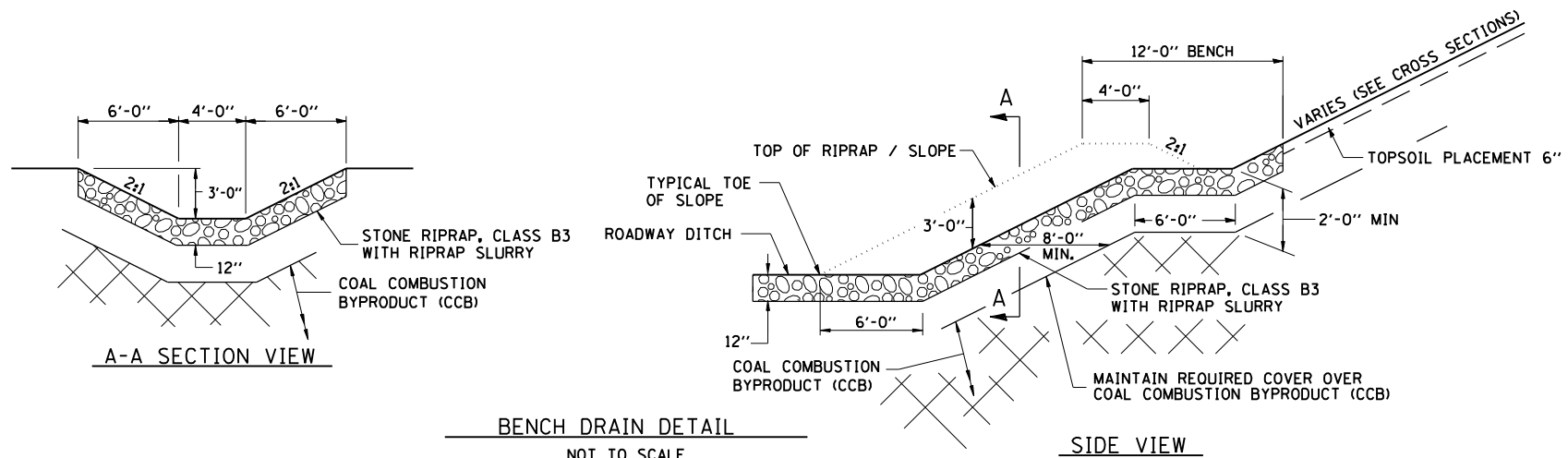
NOTE: THIS DETAIL SHALL BE APPLIED TO ALL 2:1 EMBANKMENT SLOPES.



RIPRAP CLASS	RIPRAP THICKNESS (TR)	BEDDING THICKNESS (TB)
B3	12"	**

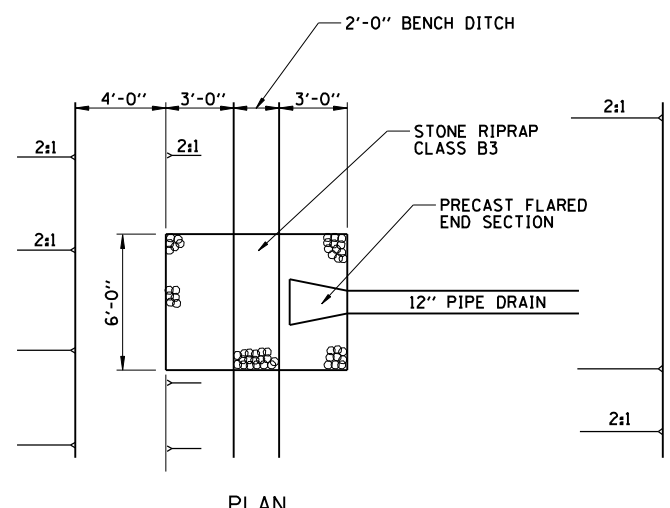
** STONE RIPRAP CLASS B-3 HAS NO BEDDING MATERIAL OR FILTER FABRIC UNLESS IN SANDY SOILS.

TYPICAL STONE RIPRAP DITCH LINING
SEE SCHEDULE FOR INSTALLATION LOCATIONS

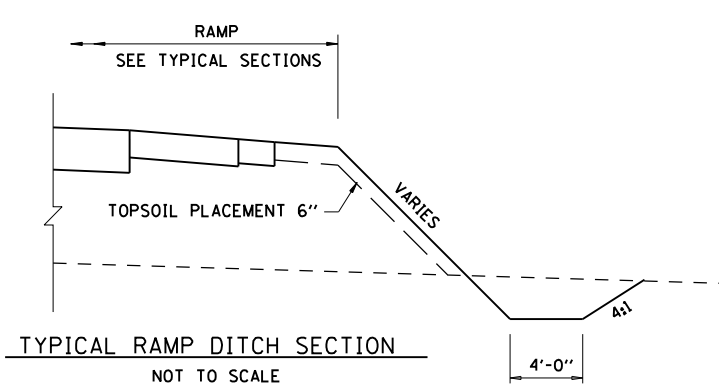


BENCH DRAIN DETAIL
NOT TO SCALE

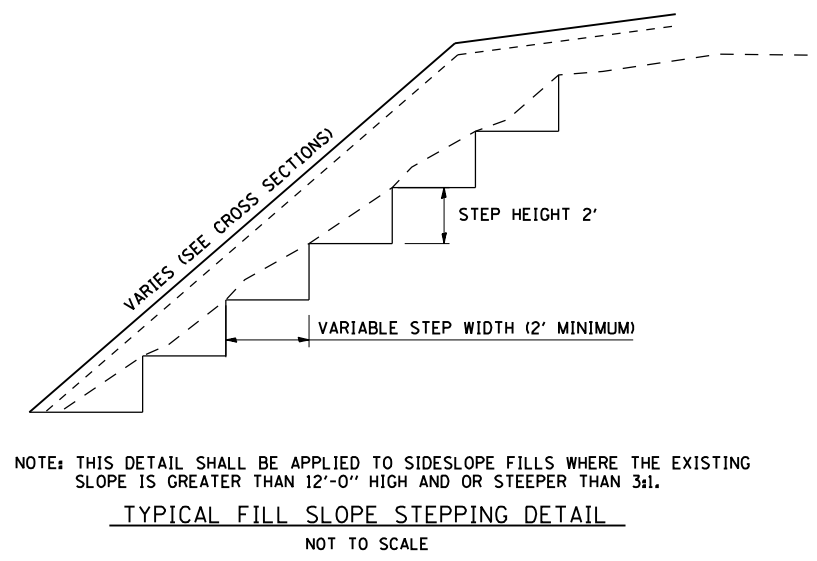
SIDE VIEW



PIPE DRAIN OUTLET AT BENCH DITCH



TYPICAL RAMP DITCH SECTION
NOT TO SCALE



NOTE: THIS DETAIL SHALL BE APPLIED TO SIDESLOPE FILLS WHERE THE EXISTING SLOPE IS GREATER THAN 12'-0" HIGH AND OR STEEPER THAN 3:1.

TYPICAL FILL SLOPE STEPPING DETAIL
NOT TO SCALE

REVISIONS	
NAME	DATE

ILLINOIS DEPARTMENT OF TRANSPORTATION
BENCH & DITCH DETAILS
FAI-72, MACARTHUR BLVD
SEC NO. 02-00382-02-PV
SEC NO. (84-9-4)A,HBK,BY,BY-1
SANGAMON COUNTY, ILLINOIS

SCALE: VERT. DRAWN BY HEI
 HORIZ. CHECKED BY JMW
DATE 12/16/2006