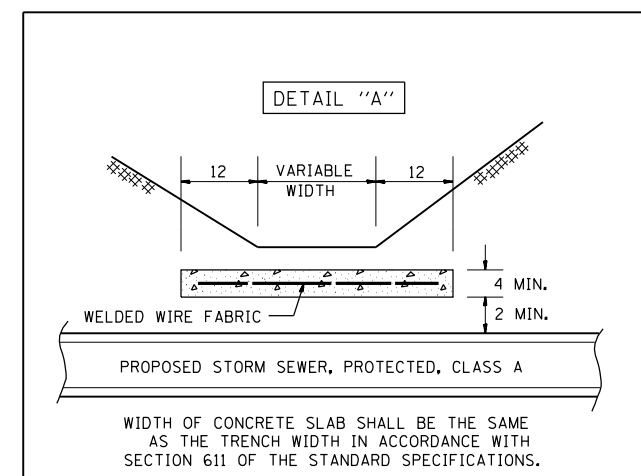
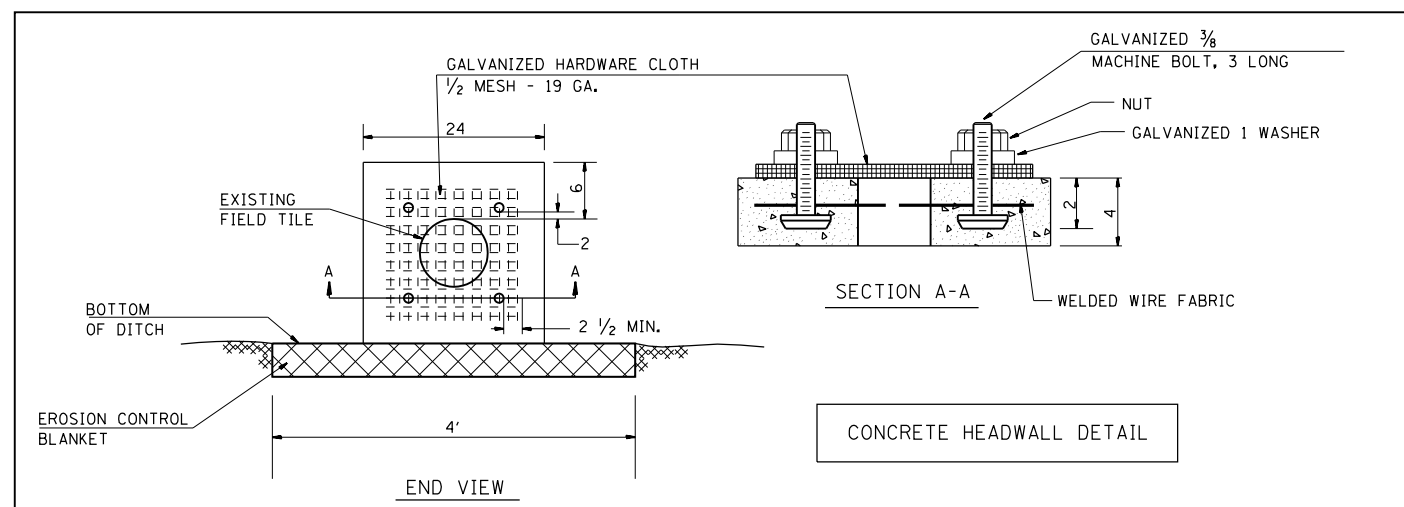
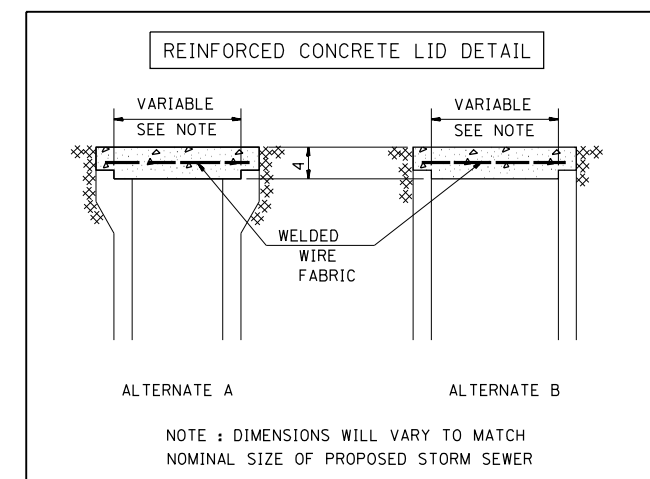
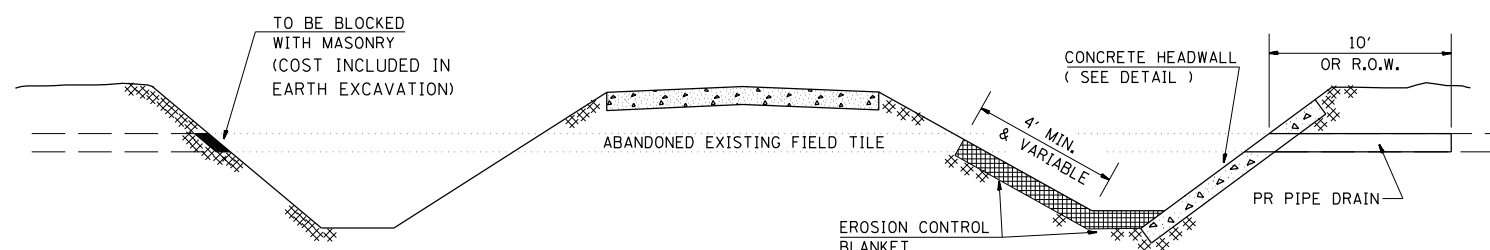
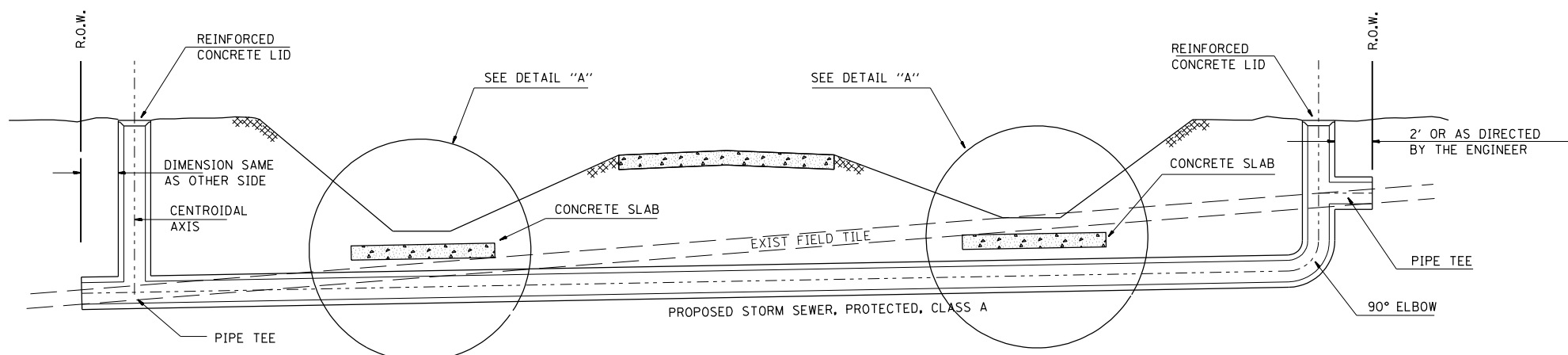


| | | | | |
|--|----------|------------------|--------------|-----------|
| FAU ROUTE | SECTION | COUNTY | TOTAL SHEETS | SHEET NO. |
| 8071 | * | SANGAMON | 559 | 193 |
| STA. | | TO STA. | | |
| FED. ROAD DIST. NO. | ILLINOIS | FED. AID PROJECT | | |
| (84-9-4)A,HBK,BY,BY-1 * 02-00382-02-PV | | | | |

GENERAL NOTES

1. FIELD TILE SHALL BE REPLACED IN ACCORDANCE WITH SECTION 611 OF THE STANDARD SPECIFICATIONS. THE COST PER CONTRACT UNIT PRICE OF ITEMS INCLUDED IN THIS CONTRACT SHALL BE PAID FOR AS STATED IN SECTION 611 OF THE STANDARD SPECIFICATIONS. IF THE CONTRACT UNIT PRICE IS NOT INCLUDED IN THIS CONTRACT, PAYMENT FOR THIS WORK WILL BE IN ACCORDANCE WITH ARTICLE 109.04 OF THE STANDARD SPECIFICATIONS.
2. THE DIAMETER OF THE PROPOSED STORM SEWER SHALL BE EQUAL TO OR GREATER THAN THE EXISTING FIELD TILE.
3. ALL EXISTING FIELD TILE SHALL BE REPLACED WITH STORM SEWER OF THE TYPE REQUIRED FOR BY THE DEPTH OF COVER. THE LINEAL FOOT MEASUREMENT WILL BE ALONG THE CENTROIDAL AXIS AND INCLUDE ALL BENDS, ELBOWS, OR PIPE TEE'S WHICH ARE REQUIRED.
4. THE REINFORCED CONCRETE LID SHALL BE CLASS SI CONCRETE (MISCELLANEOUS) OR PRECAST REINFORCED CONCRETE.
5. ALL HARDWARE, WELDED WIRE FABRIC, RODENT SCREENS AND OTHER REINFORCEMENT AND ANCHORS AS SHOWN OR AS DIRECTED BY THE ENGINEER SHALL BE INCLUDED IN THE COST FOR MISCELLANEOUS CONCRETE.
6. ALL FIELD TILE ENCOUNTERED ON THE HILER PROPERTY SHALL BE RECONNECTED AS SHOWN, EVEN TILE THAT IS FILLED WITH SOIL.



ALL DIMENSIONS ARE IN INCHES UNLESS OTHERWISE SHOWN.

| REVISIONS | | NAME | DATE |
|-----------|-------------|------|------|
| NO. | DESCRIPTION | | |
| | | | |
| | | | |
| | | | |
| | | | |
| | | | |
| | | | |
| | | | |
| | | | |
| | | | |
| | | | |

ILLINOIS DEPARTMENT OF TRANSPORTATION
 FIELD TILE REPLACEMENT DETAILS
 FAI-72, MACARTHUR BLVD
 SEC NO. 02-00382-02-PV
 SEC NO. (84-9-4)A,HBK,BY,BY-1
 SANGAMON COUNTY, ILLINOIS

SCALE: VERT. NTS
 HORIZ. NTS
 DATE 12/16/2006

DRAWN BY IDOT-6
 CHECKED BY JMM