

STATE OF ILLINOIS  
DEPARTMENT OF TRANSPORTATION

ROUTE NO.	SECTION	COUNTY	SHEET NO.	SHEET	SHEET NO.
US 67	115RS-3, B-2	MORGAN	42	28	7 SHEETS

Bench Mark: Chiseled square in north east wingwall of bridge #069-0065, 0.56 miles north of intersection U.S. 67 and Arenzville Road Elev. 448.25.

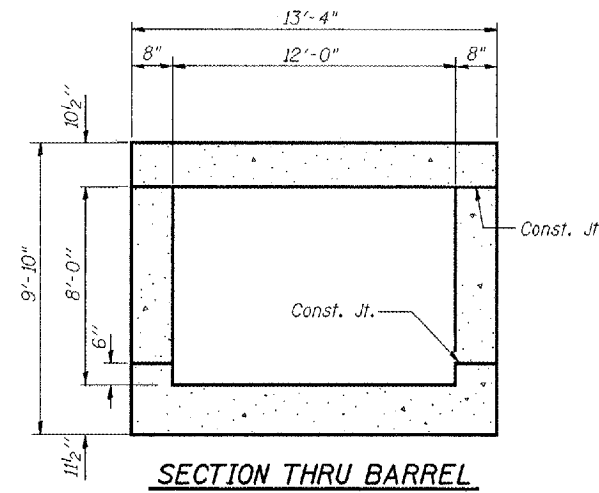
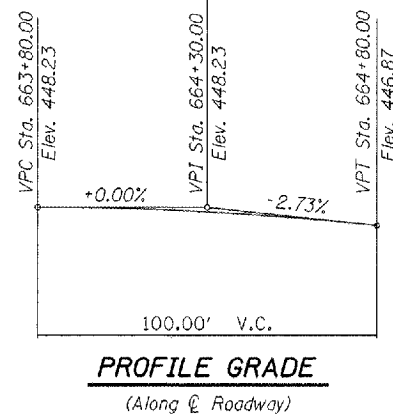
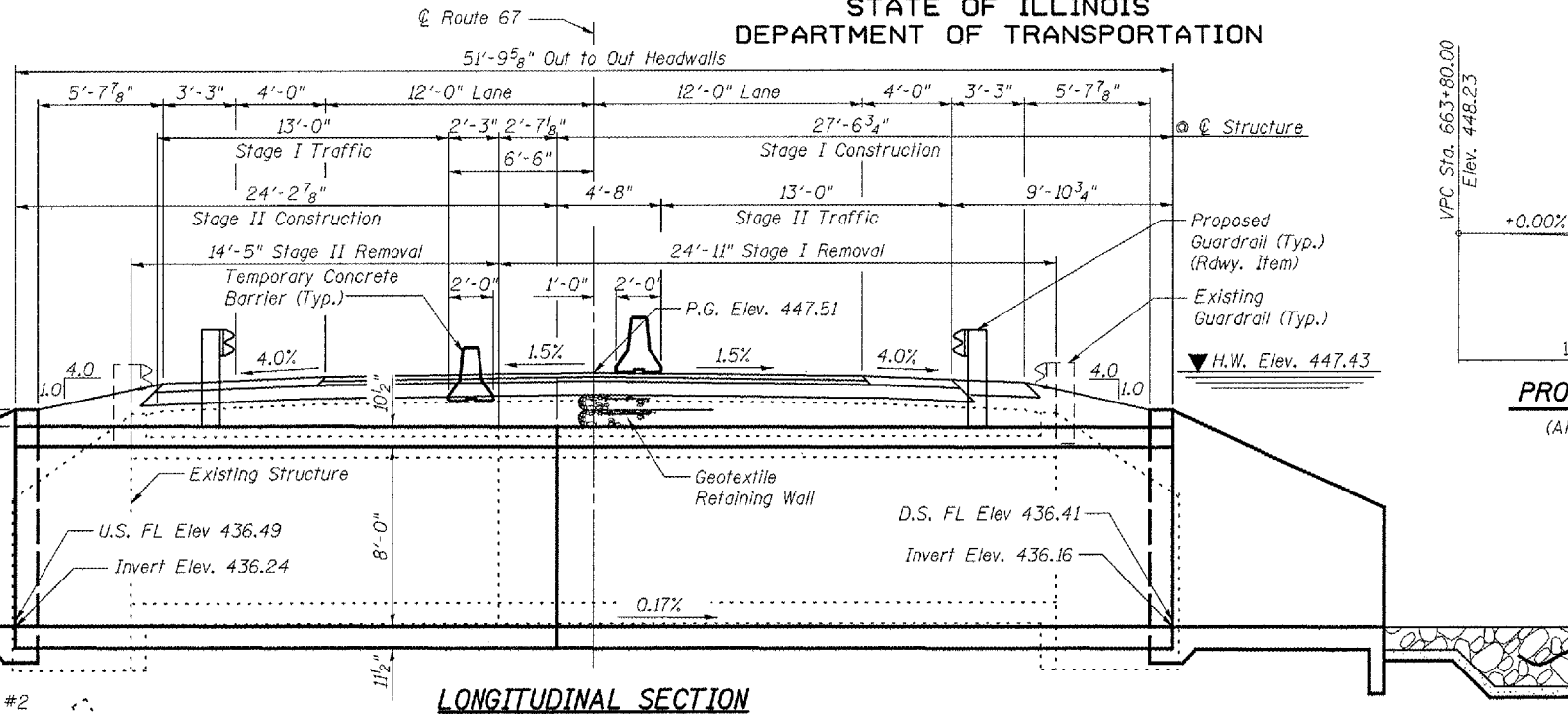
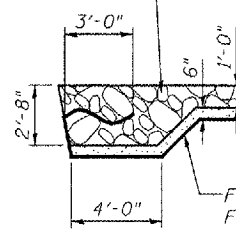
Existing Structure: S.N. 069-2001 built in 1933 as a double 6'-6"x12' concrete box culvert located at Sta. 664+52.55 is to be removed and new structure S.N. 069-7500 to be constructed in stages at Sta. 664+52.55. Traffic to be maintained utilizing stage construction.

No Salvage.

Note: Precast alternative not allowed.

Note: Bracing of the existing box culvert will be necessary during construction.

Stone Riprap Class A4



WATERWAY INFORMATION

Drainage Area = 1.12 sq. mi. Ex. Low Grade Elev. 446.74 @ Sta. 664+69  
Pr. Low Grade Elev. 446.57 @ Sta. 664+61

Flood	Freq. Yr.	Q C.F.S.	Opening Sq. Ft.	Nat. H.W.E.	Head - Ft.	Headwater El.
Overtopping	5.3	168	156	96	443.77	444.63
Design	10	382	156	96	444.49	445.52
Base	50	622	156	96	446.04	447.43
Max. Calc.	100	728	156	96	446.63	448.17
	500	987	156	96	447.94	449.78

HIGHWAY CLASSIFICATION

F.A.P. 310 - US Rte. 67  
ADT: 2300(2001), 3775(2030)  
ADTT: 425(2001), 700(2030)  
DHV:  
Functional Class: Other Principal Arterial  
Design Speed: 65 mph

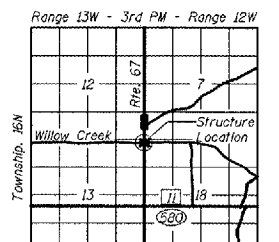
DESIGN SPECIFICATIONS

AASHTO AASHTO Standard Specification for Highway Bridges Seventeenth Edition, 2002

DESIGN STRESSES

f<sub>y</sub> = 60,000 psi  
f'<sub>c</sub> = 3,500 psi

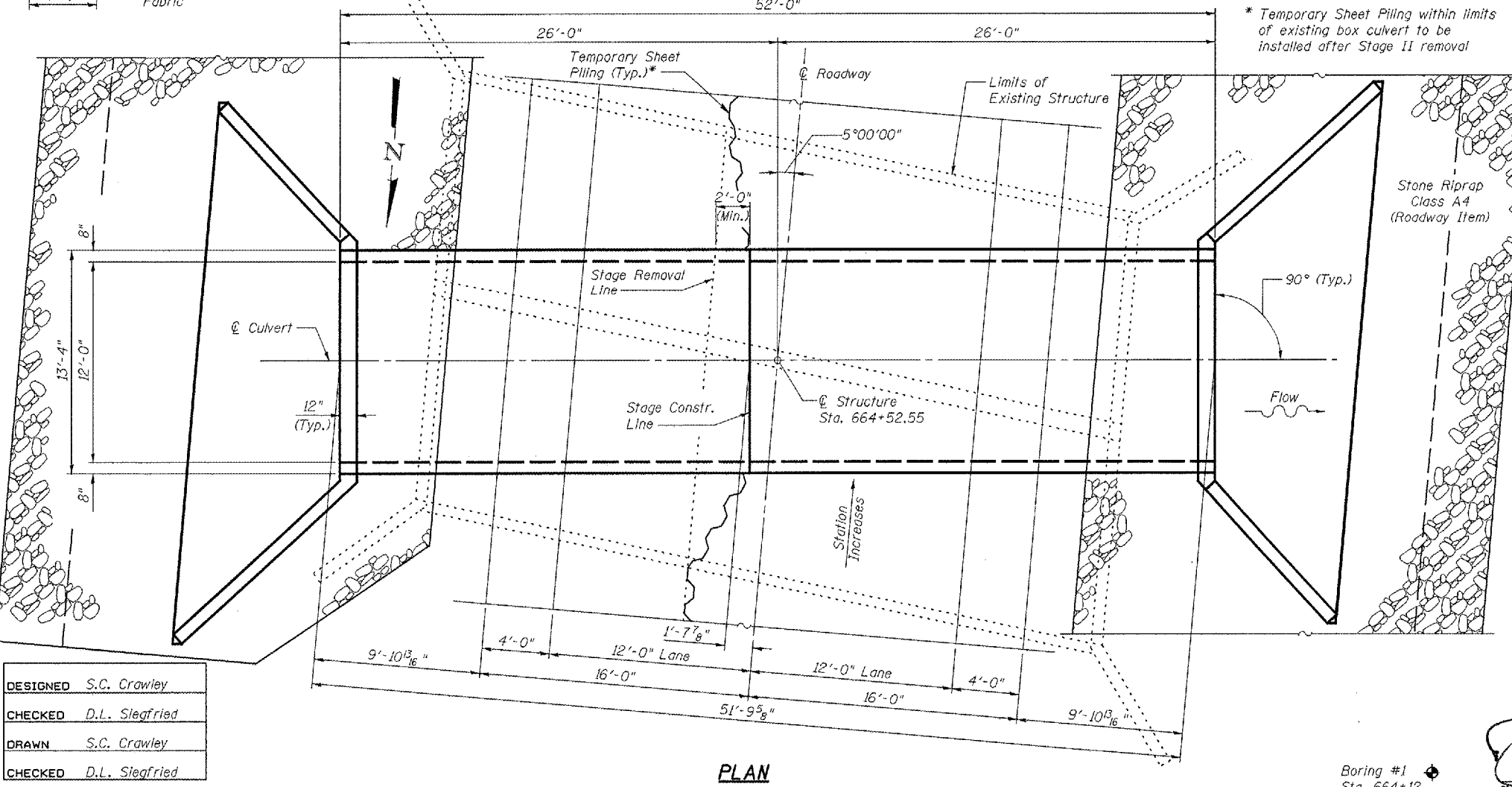
LOADING HS 20-44



LOCATION SKETCH

TOTAL BILL OF MATERIAL

ITEM	UNIT	TOTAL
Removal of Existing Structure	L Sum	1
Reinforcement Bars, Epoxy Coated	Pound	14,940
Temporary Sheet Piling	Sq. Ft.	2017
Box Culvert End Sections	Each	2
Concrete Box Culverts	Cu. Yd.	67.6
Geotextile Retaining Wall	Sq. Ft.	29
Granular Culvert Backfill	Cu. Yd.	368
Bar Splacers	Each	56
Rock Fill - Foundation	Ton	130



DESIGNED	S.C. Crawley
CHECKED	D.L. Siegfried
DRAWN	S.C. Crawley
CHECKED	D.L. Siegfried

PLAN

Boring #1  
Sta. 664+12

*Douglas L. Siegfried*  
4700 REGISTERED STRUCTURAL ENGINEER OF ILLINOIS  
Signature  
Date 2/6/07  
License Expires 11/30/2006

GENERAL PLAN  
US ROUTE 67 OVER WILLOW CREEK  
F.A.P. ROUTE 310 - SECTION 115(RS-3, B-2)  
MORGAN COUNTY  
STATION 664+52.55  
STRUCTURE NO. 069-7500

Plot Date: 1/25/2007  
Plot Time: 8:00:05 AM  
By: S.C. Crawley  
Plot Title: US 67 Over Willow Creek  
File Name: s:\04000\US 67 Over Willow Creek\Willow Final.dwg