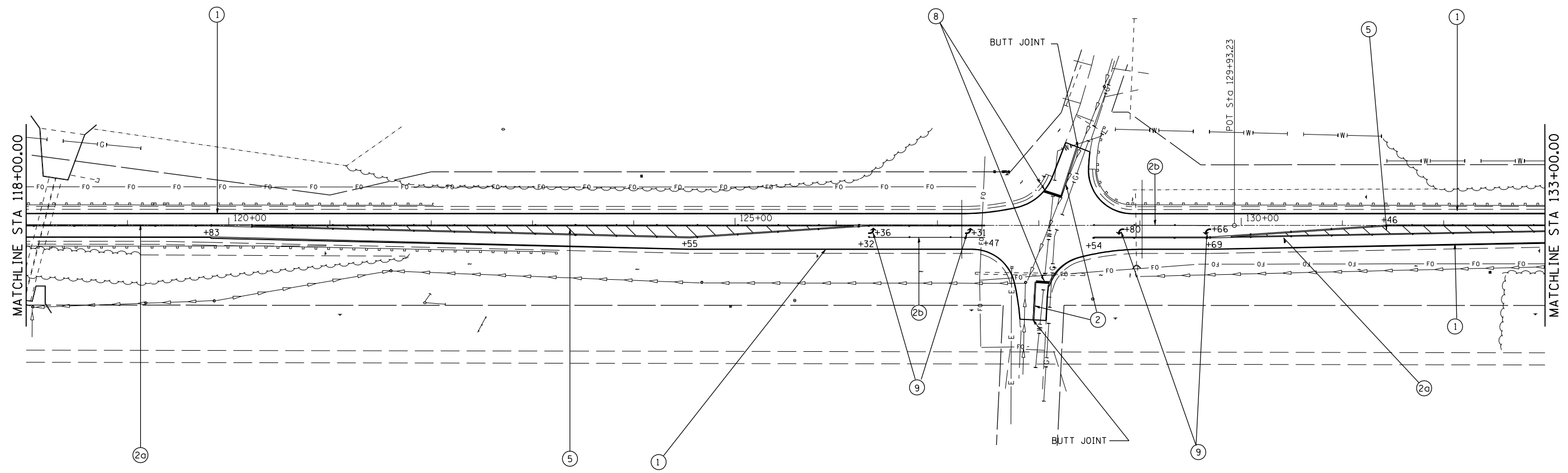
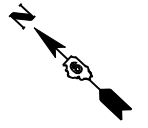


F.A.P. RTE.	SECTION	COUNTY	TOTAL SHEETS	SHEET NO.
75	•	CHRISTIAN	97	69
STA.		TO STA.		
FED. ROAD DIST. NO.	ILLINOIS	FED. AID PROJECT		

• D 6 RESURFACING 2007

- LEGEND
- 1.THERMOPLASTIC PAVEMENT MARKING - LINE 5" (WHITE)
 - 2.THERMOPLASTIC PAVEMENT MARKING - LINE 5" (YELLOW)
 - 2a.THERMOPLASTIC PAVEMENT MARKING - LINE 5" (DOUBLE YELLOW)
 - 2b. THERMOPLASTIC PAVEMENT MARKING LINE 6" (WHITE)
 - 3.THERMOPLASTIC PAVEMENT MARKING - LINE 8" (WHITE)
 - 4.THERMOPLASTIC PAVEMENT MARKING - LINE 12" (WHITE)
 - 5.THERMOPLASTIC PAVEMENT MARKING - LINE 12" (YELLOW)
 - 6.PREFORMED PLASTIC PAVEMENT MARKING, TYPE B - LINE 5" (WHITE)
 - 7.PREFORMED PLASTIC PAVEMENT MARKING, TYPE B - LINE 6" (WHITE)
 - 8.PREFORMED PLASTIC PAVEMENT MARKING, TYPE B - LINE 24" (WHITE)
 - 9.PREFORMED PLASTIC PAVEMENT MARKING, TYPE B - LETTERS AND SYMBOLS (WHITE)
 - ◆ TWO-WAY AMBER RPM
 - ▶ ONE-WAY AMBER RPM
 - ▷ ONE-WAY CRYSTAL RPM



PLOT DATE = 12/15/2006
 FILE NAME = c:\p\projects\654683\50\mp\p\dgn
 PLOT SCALE = 1/8"=1'-0" / IN.
 USER NAME = laughlin-1

REVISIONS	
NAME	DATE

ILLINOIS DEPARTMENT OF TRANSPORTATION

PAVEMENT MARKING PLAN
 FAP 75 (IL 29)
 SECTION D 6 RESURFACING 2007
 CHRISTIAN COUNTY

SCALE: VERT. / HORIZ.
 DATE

DRAWN BY / CHECKED BY