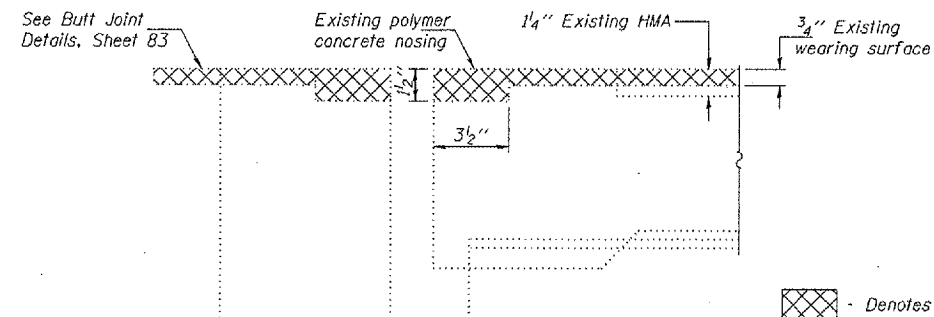
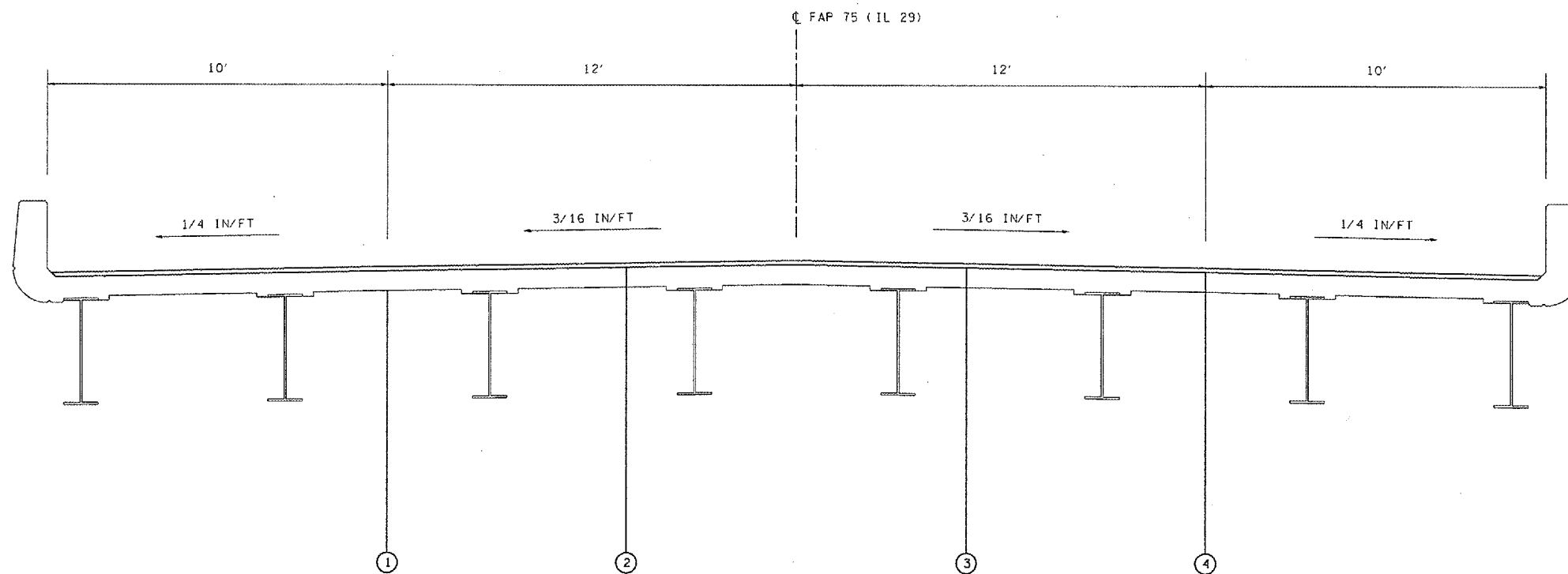
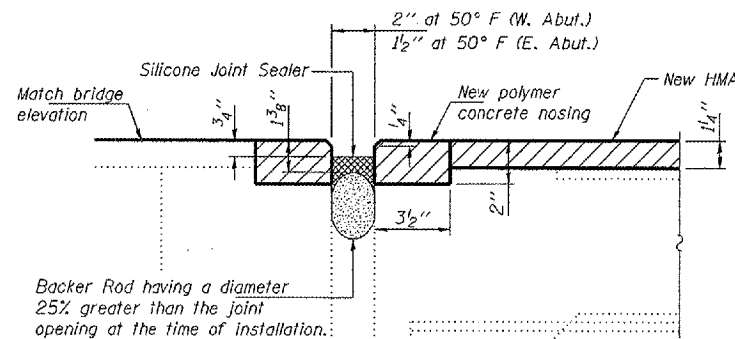



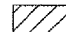
F.A.P. RTE.	SECTION	COUNTY	TOTAL SHEETS	SHEET NO.
75	*	CHRISTIAN	97	77
STA.		TO STA.		
FED. ROAD DIST. NO.		ILLINOIS FED. AID PROJECT		



REMOVAL DETAILS



REPLACEMENT DETAILS

 - Denotes removal
 - Denotes replacement

- ① EX 7" CONCRETE DECK
- ② EX 1 1/4" HOT-MIX ASPHALT
- ③ PR HOT-MIX ASPHALT SURFACE REMOVAL 3/4"
- ④ PR POLYMERIZED HOT-MIX ASPHALT SURFACE COURSE, MIX D, NTO, 1 1/4"

REVISIONS	
NAME	DATE

ILLINOIS DEPARTMENT OF TRANSPORTATION
 TYPICAL BRIDGE SECTION
 FAP 75 (IL 29)
 SECTION D 6 RESURFACING 2007
 CHRISTIAN COUNTY
 SN 011-0010

SCALE: VERT. _____
 HORIZ. _____
 DATE _____ DRAWN BY _____
 CHECKED BY _____

PLOT DATE = 1/22/2007
 PLOT SCALE = 1/8"=1'-0"
 USER NAME = joughlinr