

CONTRACT NO. 72826

F.A.P. RTE.	SECTION	COUNTY	TOTAL SHEETS	SHEET NO.
75	*	CHRISTIAN	97	78
STA.		TO STA.		
FED. ROAD DIST. NO.		ILLINOIS FED. AID PROJECT		

\* D 6 RESURFACING 2007

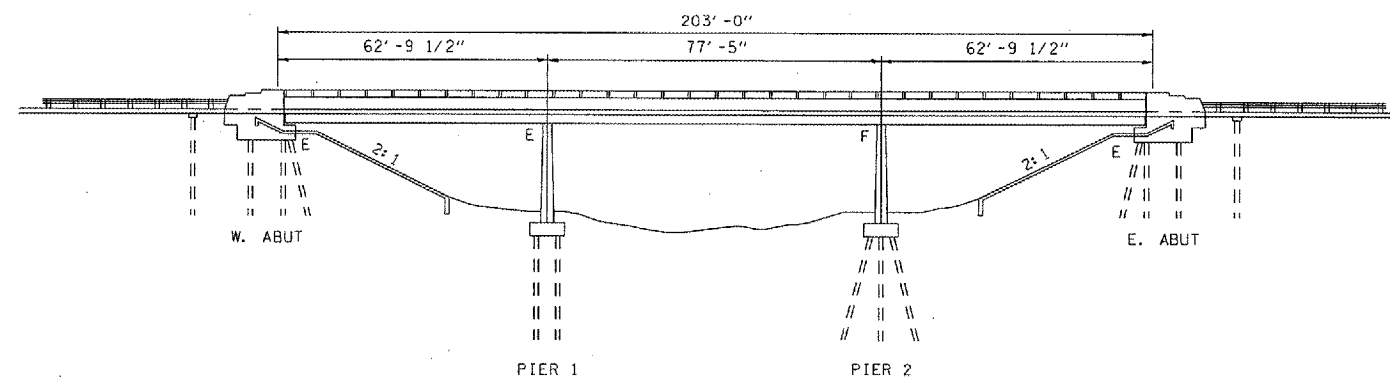
**EXISTING STRUCTURE**

THE EXISTING STRUCTURE IS A 3 SPAN I-BEAM STEEL BRIDGE OVER FLAT BRANCH.

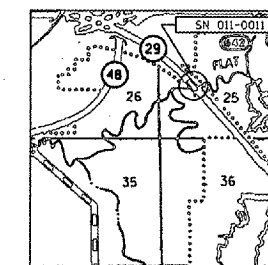
**PROPOSED IMPROVEMENT**

THE PROPOSED IMPROVEMENT CONSISTS OF 3/4" HMA SURFACE REMOVAL, AND 1 1/4" PLACEMENT OF HMA SURFACE COURSE.

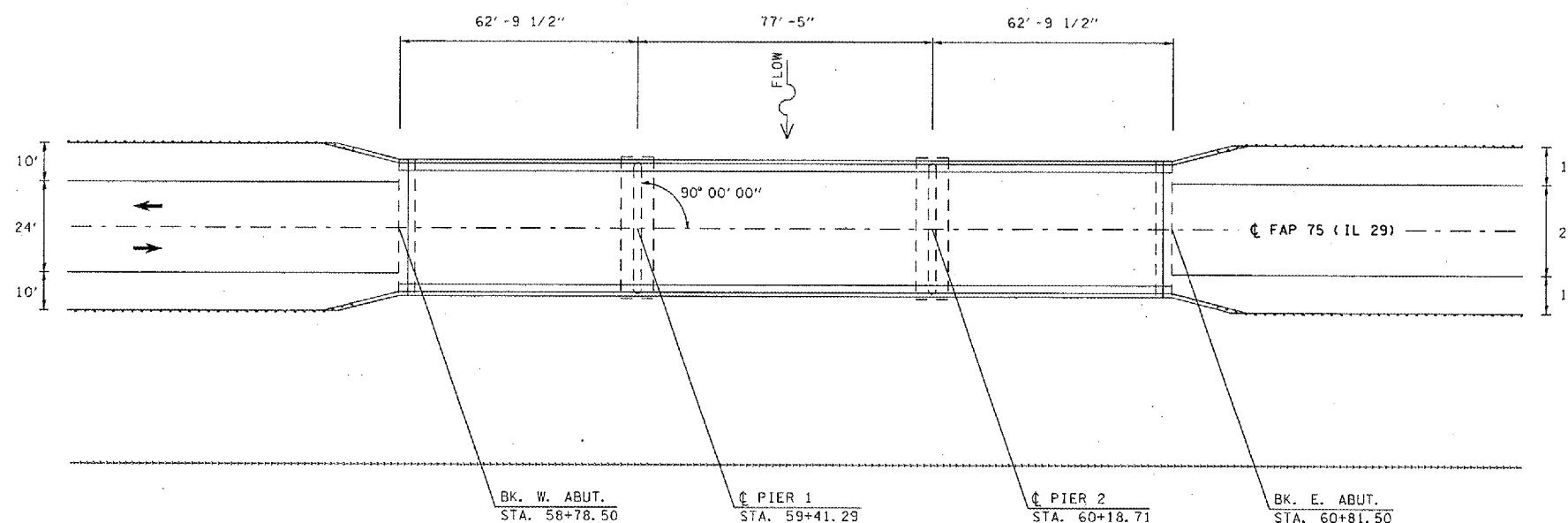
STATE OF ILLINOIS  
DEPARTMENT OF TRANSPORTATION



ELEVATION



LOCATION MAP



PLAN

**TOTAL BILL OF MATERIAL**

SURFACE	ITEM	UNIT	QUANTITY
HOT-MIX ASPHALT	REMOVAL, 3/4"	SQ. YD.	677
POLYMERIZED HOT MIX ASPHALT SURFACE COURSE,	MIX D, N70	TON	47.6
SILICONE JOINT SEALER, 2 1/2"		FOOT	30
SILICONE JOINT SEALER, 1 1/2"		FOOT	30
POLYMER CONCRETE		CU FT	5.8

REVISIONS		ILLINOIS DEPARTMENT OF TRANSPORTATION GENERAL PLAN & ELEVATION FAP 75 (IL 29) SECTION D 6 RESURFACING 2007 CHRISTIAN COUNTY SN 011-0011
NAME	DATE	

SCALE: VERT. \_\_\_\_\_  
HORIZ. \_\_\_\_\_  
DATE \_\_\_\_\_ DRAWN BY \_\_\_\_\_  
CHECKED BY \_\_\_\_\_

Rev.

PLOT DATE = 1/23/2007  
PLOT SCALE = 1" = 100'  
USER NAME = boughner