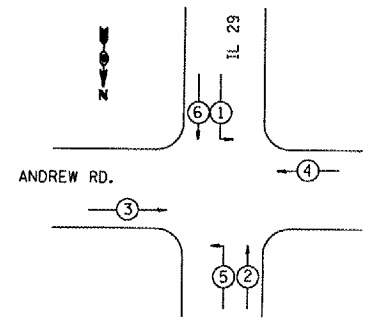
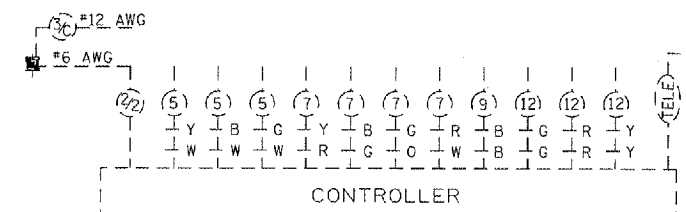
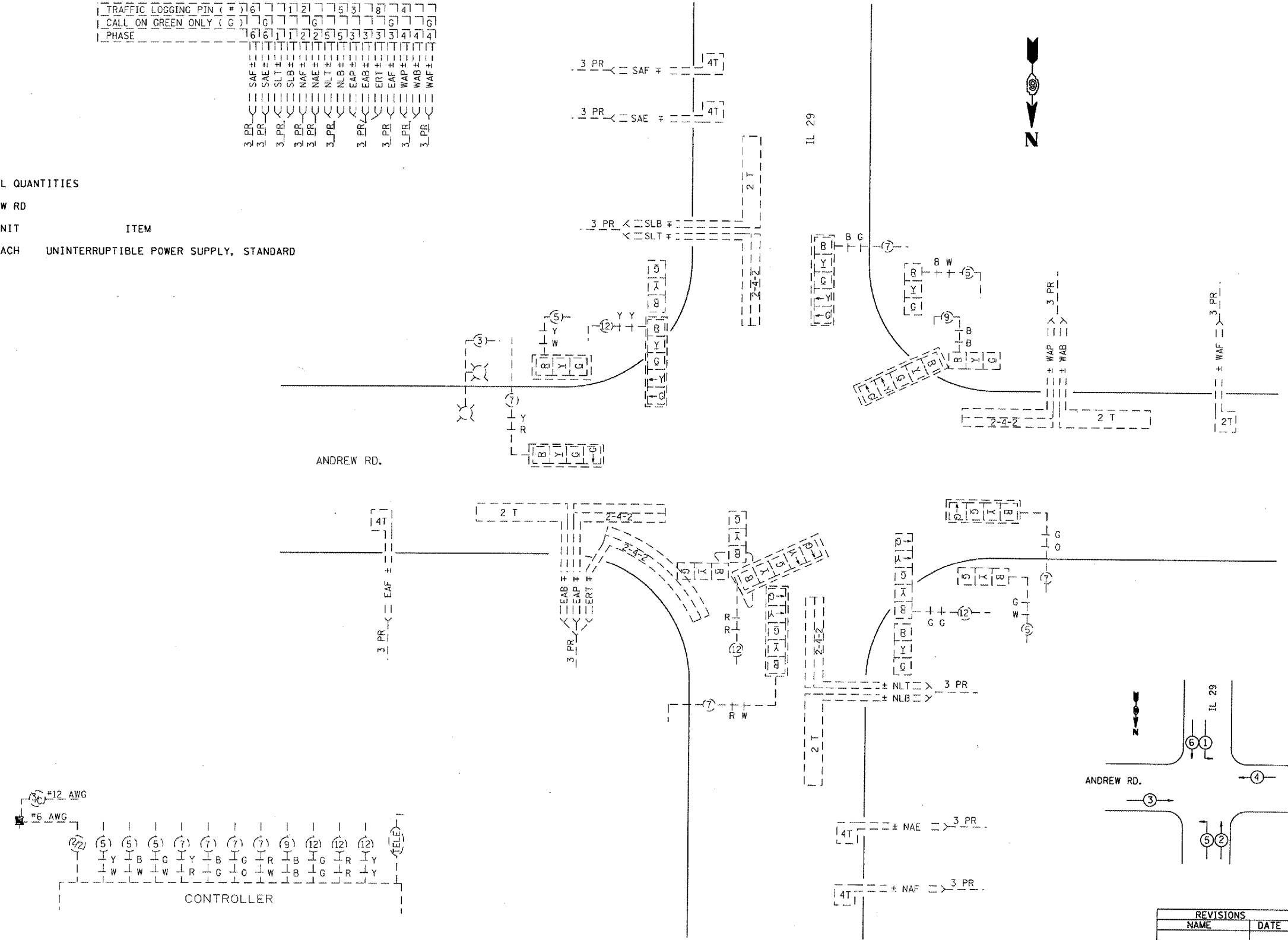


F.A.P. RTE.	SECTION	COUNTY	TOTAL SHEETS	SHEET NO.
662		SANGAMON	7	3
STA.	TO STA.			
FED. ROAD DIST. NO.		ILLINOIS	FED. AID PROJECT	
375-7; 102TS-2; WTS-2)		72846		

DETECTORS

TRAFFIC LOGGING PIN (#)	61	121	531	8	41
CALL ON GREEN ONLY (C)	61	121	531	8	41
PHASE	61	121	531	8	41
SAF #	1	1	1	1	1
SAE #	1	1	1	1	1
SLB #	1	1	1	1	1
NAF #	1	1	1	1	1
NLT #	1	1	1	1	1
NLB #	1	1	1	1	1
EAP #	1	1	1	1	1
EAB #	1	1	1	1	1
ERT #	1	1	1	1	1
EAF #	1	1	1	1	1
WAP #	1	1	1	1	1
WAB #	1	1	1	1	1

TRAFFIC SIGNAL QUANTITIES
 IL 29 / ANDREW RD
 QUANTITY UNIT ITEM
 1 EACH UNINTERRUPTIBLE POWER SUPPLY, STANDARD



REVISIONS	
NAME	DATE

ILLINOIS DEPARTMENT OF TRANSPORTATION
 PROP. WIRING DIAGRAM
 IL 29 / ANDREW RD
 FAP 662, FAP 658, & FAP 67
 SECTION 375-7; 102TS-2; WTS-2)
 SANGAMON COUNTY
 SCALE: VERT. _____
 HORIZ. _____
 DATE 12-2003
 DRAWN BY KDA
 CHECKED BY _____

c:\projects\6656283\ts_sheets.m32
 12/15/2005
 RET 01