

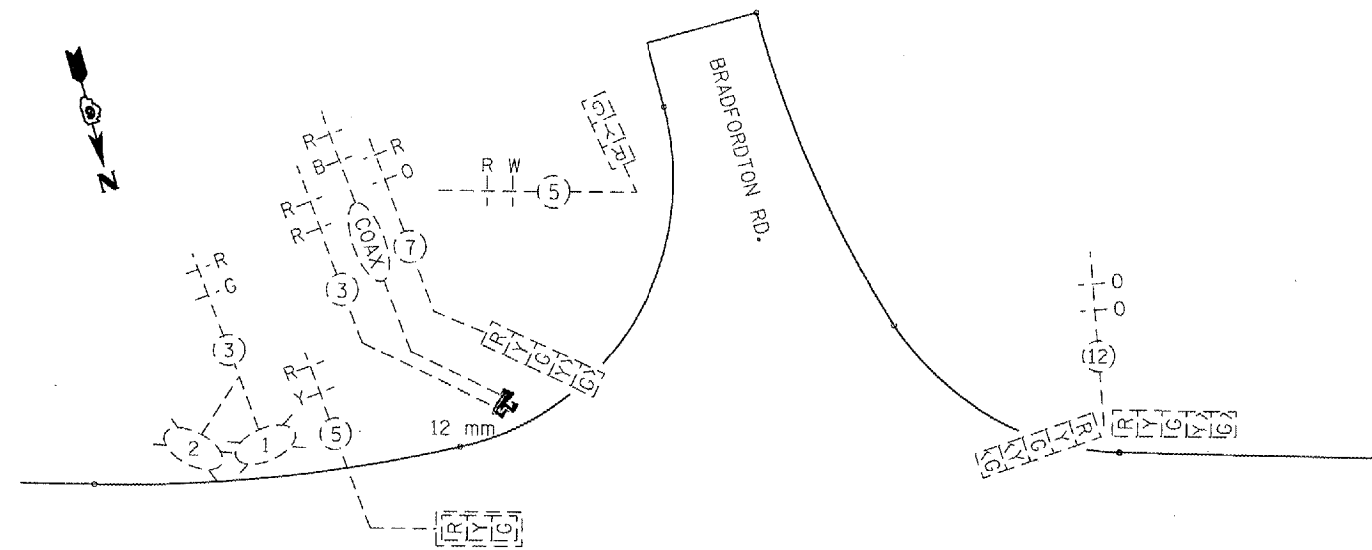
F.A. RTE.	SECTION	COUNTY	TOTAL SHEETS	SHEET NO.
662		SANGAMON	7	4
STA.	TO STA.			
FED. ROAD DIST. NO.	ILLINOIS	FED. AID PROJECT		
3TS-7; 102TS-2; WITS-2				72846

TRAFFIC SIGNAL QUANTITIES

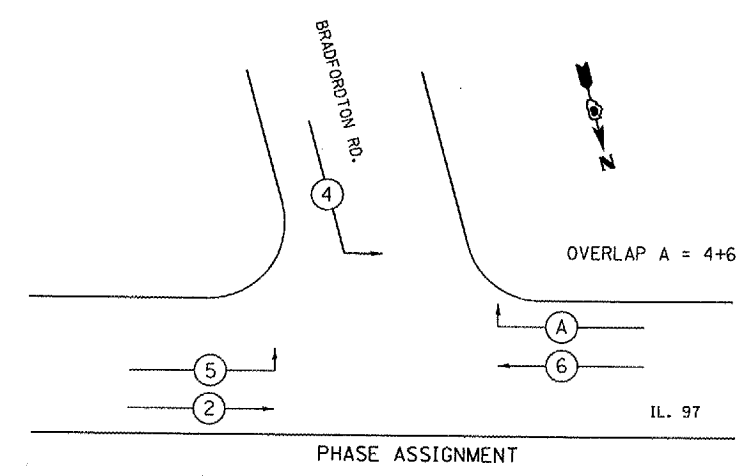
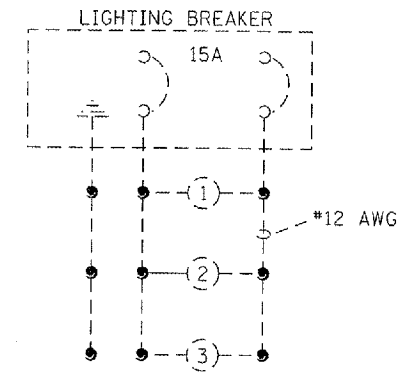
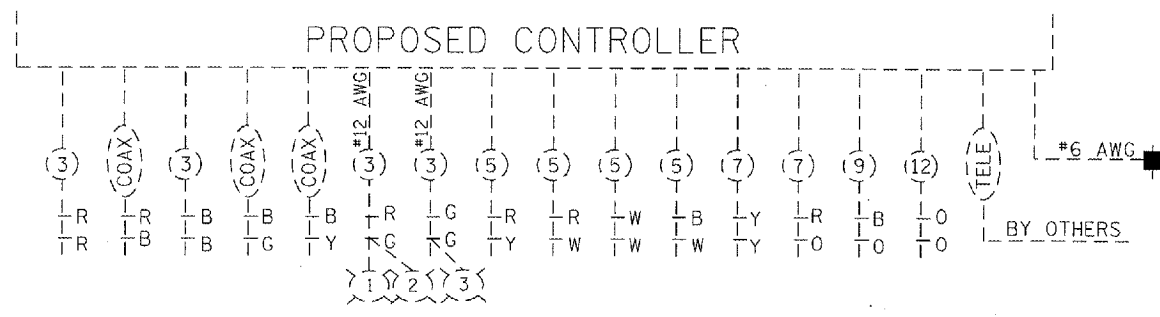
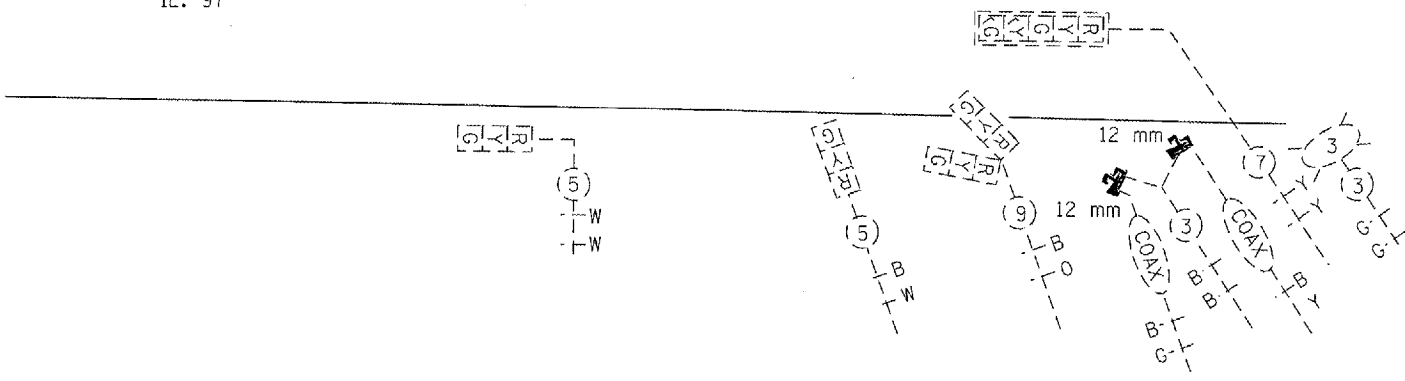
IL 97 / BRADFORDTON RD

QUANTITY	UNIT	ITEM
1	EACH	UNINTERRUPTIBLE POWER SUPPLY, STANDARD

NOTE: INSTALL TRAFFIC SIGNAL BATTERY BACKUP SYSTEM IN EXISTING TYPE IV CABINET



IL. 97



REVISIONS	
NAME	DATE

ILLINOIS DEPARTMENT OF TRANSPORTATION
PROP. WIRING DIAGRAM
 IL 97 / BRADFORDTON RD
 FAP 662, FAP 658, & FAP 67
 SECTION 37TS-7; 102TS-2; WITS-2
 SANGAMON COUNTY
 SCALE: VERT. _____
 HORIZ. _____
 DATE 12-2003
 DRAWN BY KDA
 CHECKED BY _____

cr:\projects\656203\ts_sheets.m32
 12/15/2003
 *REF 01