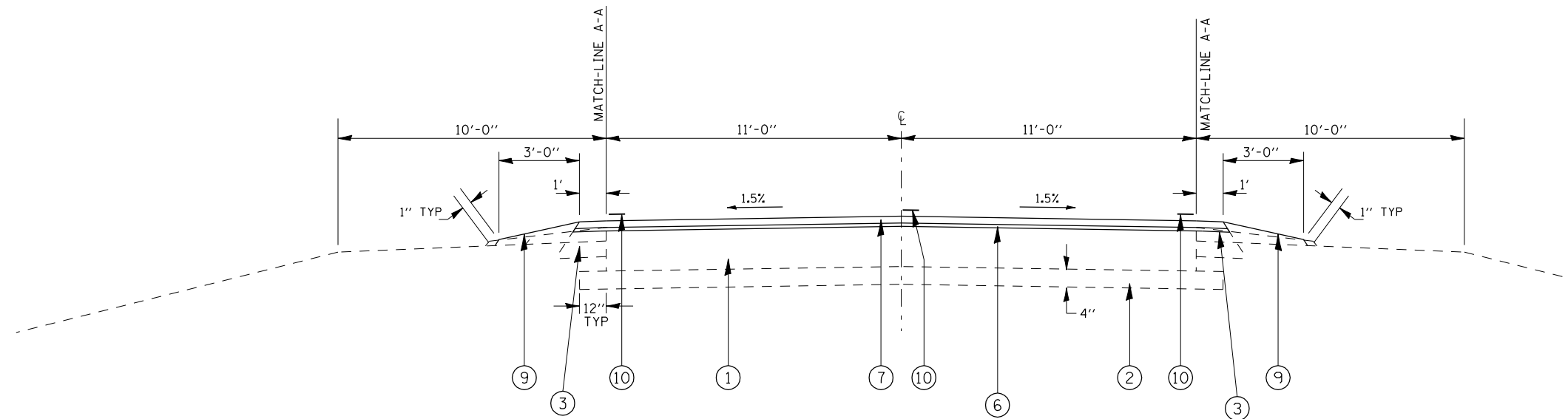
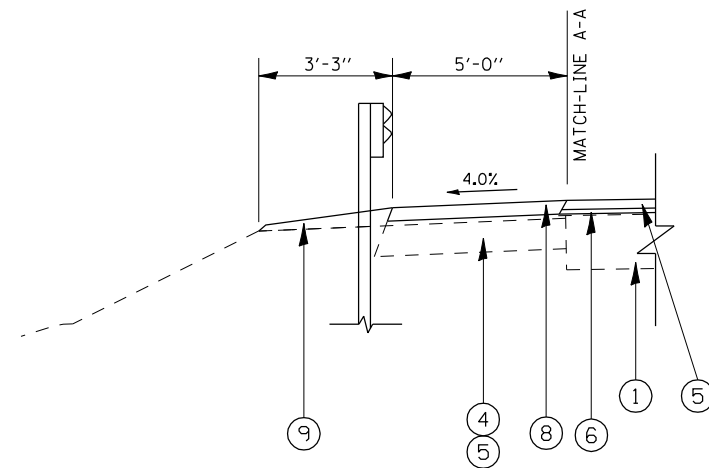


F.A.P. RTE.	SECTION	COUNTY	TOTAL SHEETS	SHEET NO.
662	•	MACOUPIN	66	10
STA.		TO STA.		
FED. ROAD DIST. NO.	ILLINOIS	FED. AID PROJECT		

(V.1)B-2



-STA 441+00.00 TO STA 446+13.80
 STA 446+13.80 TO STA 447+93.80 - PR BRIDGE APPR.
 PAVT. (STD 420401)
 & BRIDGE REPLACEMENT
 (SEE DETAILS).
 STA 447+93.80 TO STA 452+00.00



DETAIL

LEGEND

- ① EX PCC PAVEMENT, 9"
- ② EX SUB-BASE GRANULAR MATERIAL
- ③ EX BIT. SHLDRS.
- ④ EX EARTH EXCAVATION WIDENING
- ⑤ EX BIT. BASE COURSE WIDENING, SUPERPAVE, 10"
- ⑥ PR LEVELING BINDER (MACHINE METHOD), 1" AVG. (SEE BIT. MIXTURE TABLE)
- ⑦ PR. HOT MIX ASPHALT SURFACE COURSE, 1 1/2" (SEE BIT. MIXTURE TABLE)
- ⑧ PR HOT MIX ASPHALT SHLDRS. 2-1/2" (SEE BIT. MIXTURE TABLE)
- ⑨ PR AGG. SHLDRS., TYPE B
- ⑩ PR PAINT PAVEMENT MARKING, LINE - 5"

LT STA 442+85.00 TO LT STA 444+98.00 - NO PR GUARDRAIL

LT STA 444+88.51 TO LT STA 446+29.60

LT STA 446+29.60 TO LT STA 446+66.76 - PR APPROACH PAVEMENT/ CONN.

LT STA 446+66.76 TO LT STA 447+55.76 - PR BRIDGE (NO PR GUARDRAIL)

LT STA 447+55.76 TO LT STA 447+90.60 - PR APPROACH PAVEMENT/ CONN.

LT STA 447+90.60 TO LT STA 450+12.01

LT STA 450+12.01 TO LT STA 450+71.08 - NO PR GUARDRAIL

LT STA 450+71.08 TO LT STA 450+95.07 - TRANS. 6' BIT. SHLD. TO 1' BIT. SHLD.

RT STA 442+67.00 TO RT STA 443+95.60 - NO PR GUARDRAIL

RT STA 443+95.60 TO RT STA 446+17.00

RT STA 446+17.00 TO RT STA 446+51.84 - PR APPROACH PAVEMENT

RT STA 446+51.84 TO RT STA 447+40.84 - PR BRIDGE (NO PR GUARDRAIL)

RT STA 447+40.84 TO RT STA 447+78.00 - PR APPROACH PAVEMENT

RT STA 447+78.00 TO RT STA 449+09.60

RT STA 449+09.60 TO RT STA 450+60.00 - NO PR GUARDRAIL

RT STA 450+60.00 TO RT STA 450+76.00 - TRANS. 6' BIT. SHLD. TO 1' BIT. SHLD.

REVISIONS	
NAME	DATE

ILLINOIS DEPARTMENT OF TRANSPORTATION

TYPICAL SECTIONS

SCALE: VERT.
 HORIZ.
 DATE 04-07-03

DRAWN BY MAW
 CHECKED BY