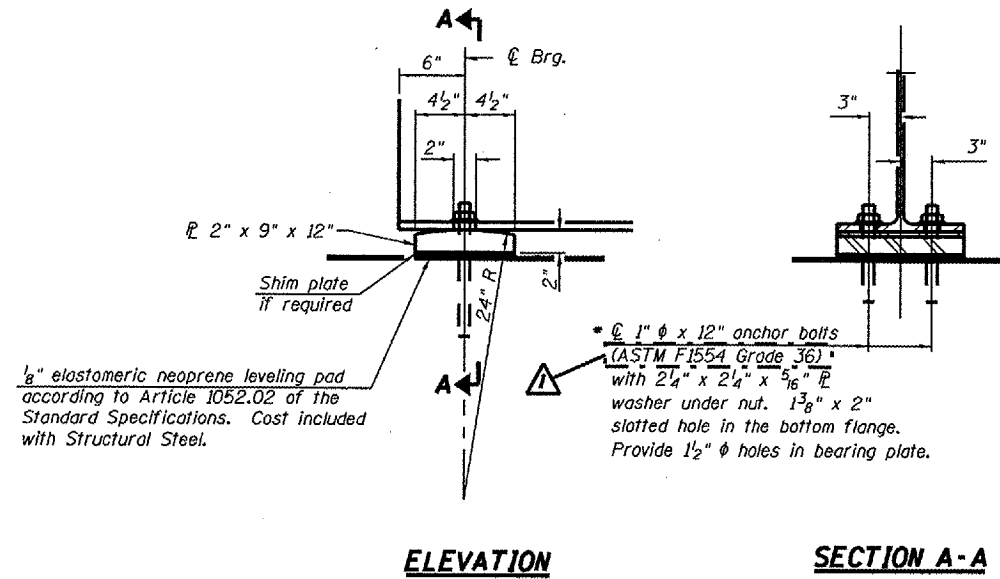


STATE OF ILLINOIS
DEPARTMENT OF TRANSPORTATION

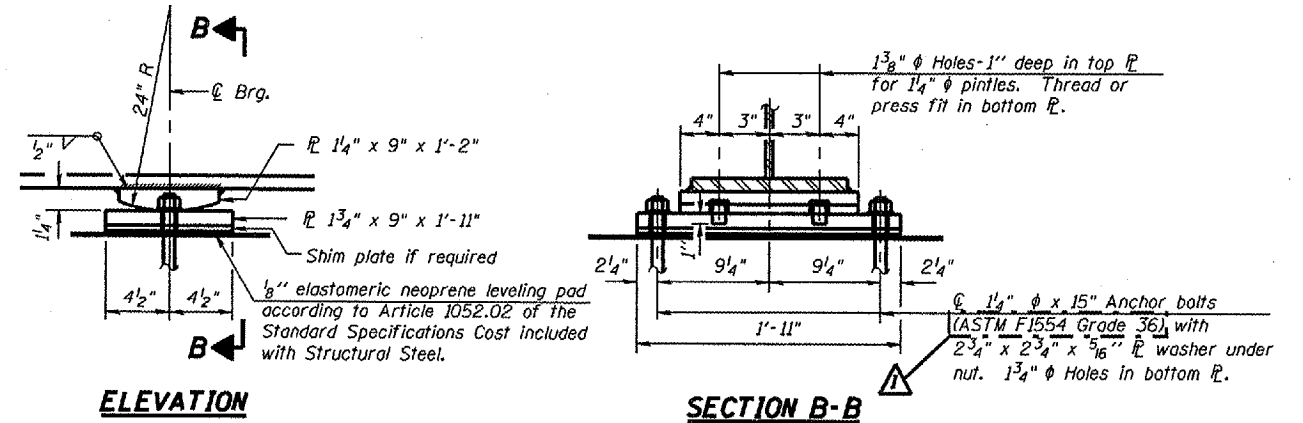
ROUTE NO.	SECTION	COUNTY	DATE	REV	SHEET NO.	
F.A.P. 717	101B-1	LOGAN	49	28	12	
FED. ROAD DIST. NO. 7					BLINDS	FELD NO. PROJECT

Contract #72A04

* Prior to beginning the deck pour, the anchor bolts at the abutments shall be installed and the nuts tightened in accordance with Section 521.06. Chemical adhesive shall be allowed to properly cure according to the manufacturer's instructions before the nuts are tightened.



FIXED BEARING AT ABUTMENT



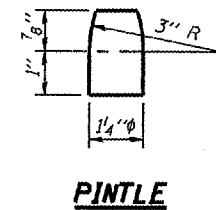
FIXED BEARING AT PIER

Notes:

Anchor bolts shall be ASTM F1554 all-thread (or an Engineer-approved alternate material) of the grade(s) and diameter(s) specified. ASTM A307 Grade C anchor bolts may be used in lieu of ASTM F1554 Grade 36 (Fy=36ksi). The corresponding specified grade of AASHTO M314 anchor bolts may be used in lieu of ASTM F1554.

Anchor bolts at fixed bearings may be either cast in place or installed in holes drilled after the supported member is in place.

Drilled and set anchor bolts shall be installed according to Article 521.06 of the Standard Specifications.



BILL OF MATERIAL

Item	Unit	Total
Anchor Bolts 1" ϕ	Each	24
Anchor Bolts 1 1/4" ϕ	Each	24

DESIGNED D.J.T. & S.D.S.
CHECKED J.J.P. & S.D.S.
DRAWN L.M.G. & D.L.H.
CHECKED D.J.T. & S.D.S.

WHKS & CO.

ENGINEERS PLANNERS LAND SURVEYORS

MASON CITY, IOWA DUBUQUE, IOWA AMES, IOWA
E. DUBUQUE, ILLINOIS SPRINGFIELD, ILLINOIS ROCHESTER, MINNESOTA

REVISD 02-09-07, SDS

BEARING DETAILS
IL ROUTE 10 OVER PRAIRIE CREEK
F.A.P. ROUTE 717 - SECTION 101B-1
LOGAN COUNTY
STATION 254+75.91
STRUCTURE NO. 054-0507