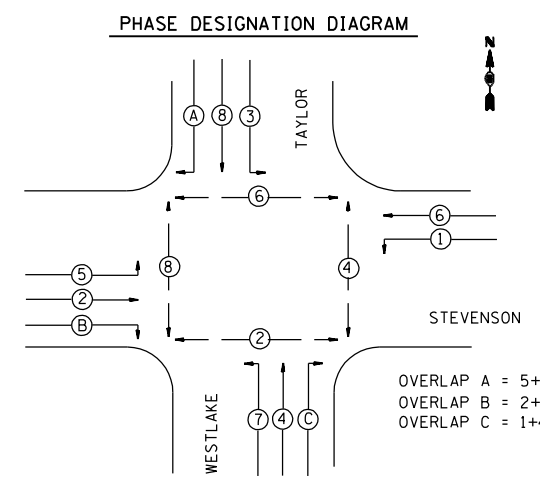
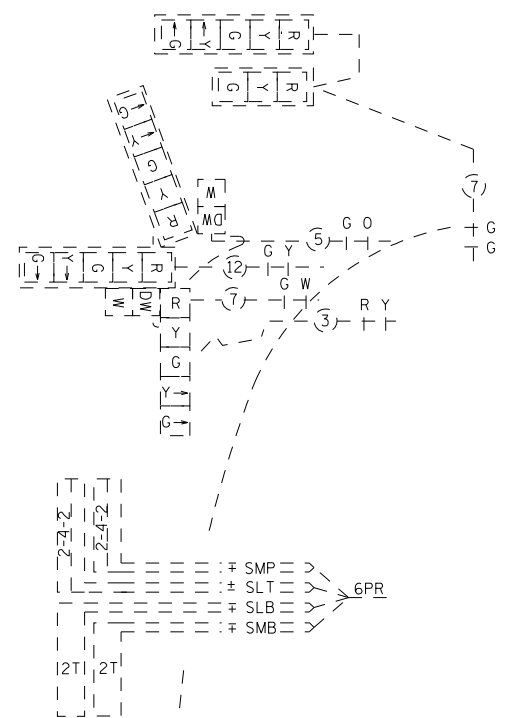
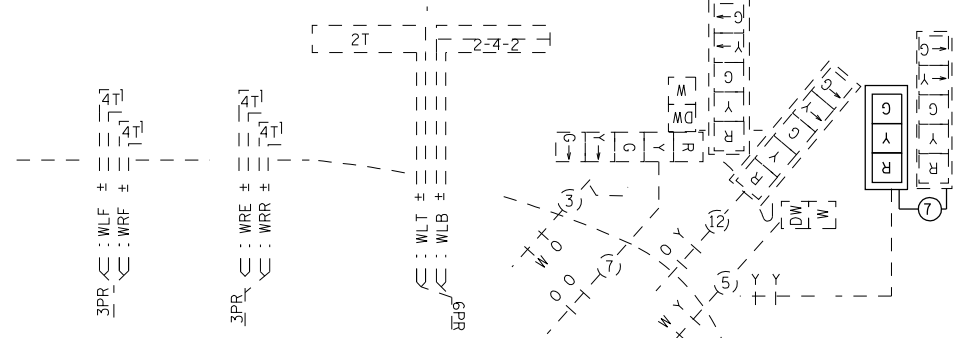
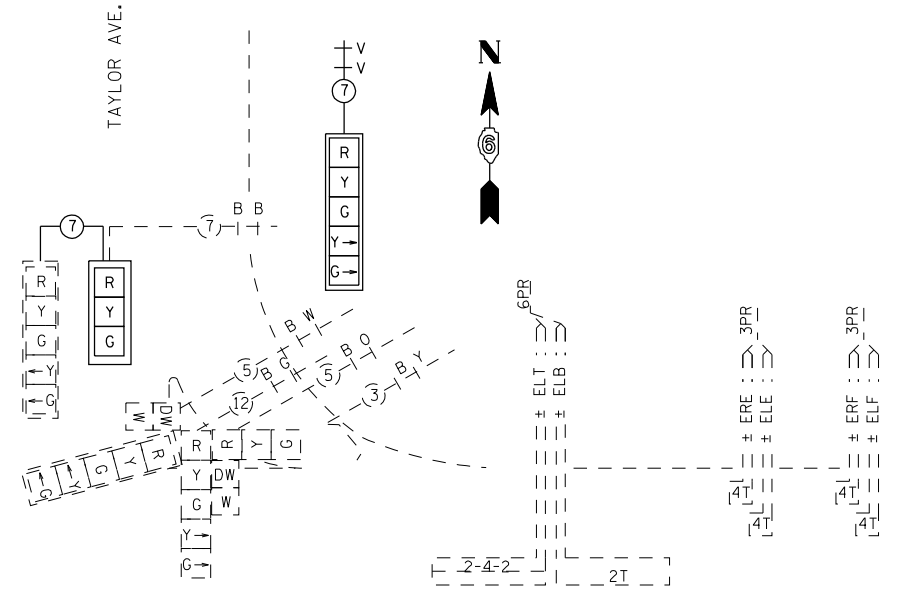
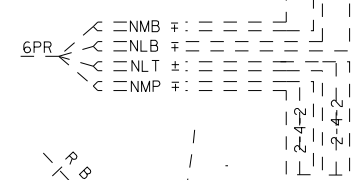
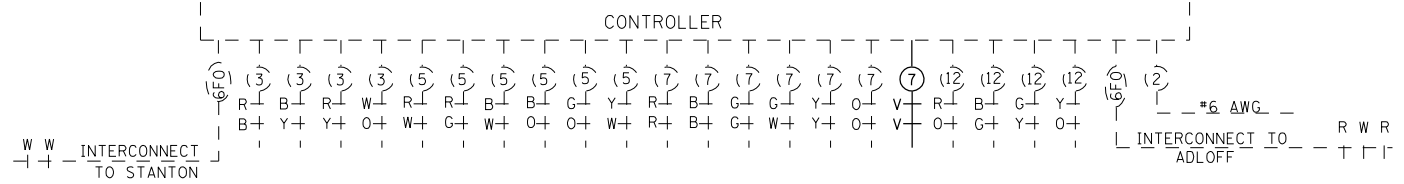


F.A. RTE.	SECTION	COUNTY	TOTAL SHEETS	SHEET NO.
.	..	SANGAMON	12	12
STA.		TO STA.		
FED. ROAD DIST. NO.	ILLINOIS	FED. AID PROJECT		
* VARIOUS				
** D-6 TRAFFIC SIGNAL MOD 2007-2				



OVERLAP A = 5+8-8 GRN
 OVERLAP B = 2+7-2 GRN
 OVERLAP C = 1+4-4 GRN

REVISIONS	
NAME	DATE

ILLINOIS DEPARTMENT OF TRANSPORTATION
ELECTRICAL CABLE DIAGRAM
 FAP ROUTE 663 (STEVENS ON DR.)
 D-6 TRAFFIC SIGNAL MOD 2007-02
 SANGAMON

SCALE: VERT. HORIZ.
 DATE: NOV '06
 DRAWN BY: KDA
 CHECKED BY:

PLOT DATE = 12/12/2006
 FILE NAME = c:\p\projects\6652706\129_97\ts\sheets.dgn
 PLOT SCALE = 42.352% / IN.
 USER NAME = laughlin-1

WARNER DR.